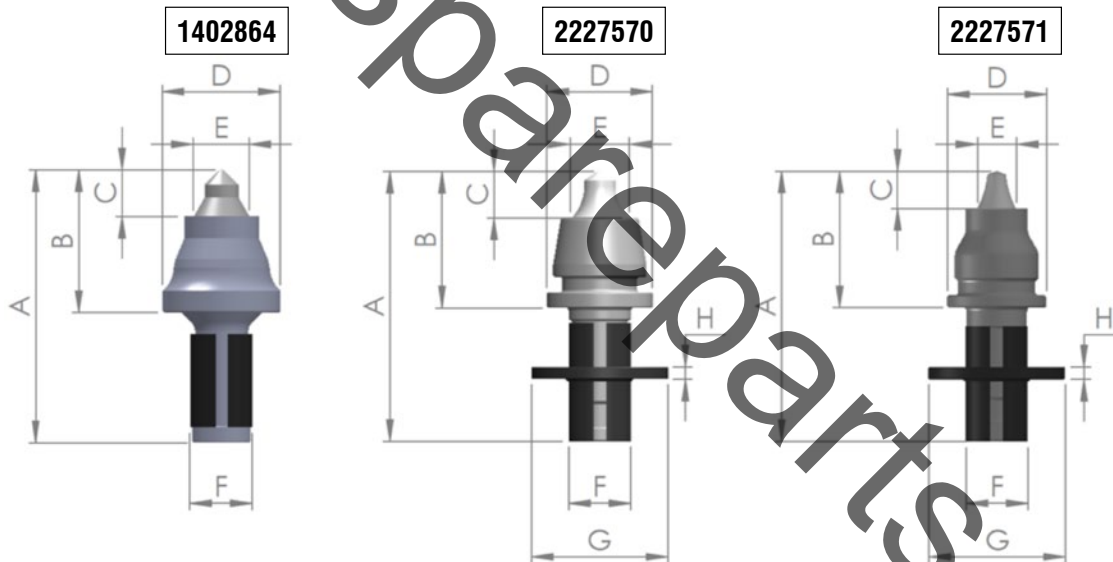


CTP Bit Cutters

Bit Cutters-

All CTP bit-cutters are manufactured with 4140 steel body with carbide tip to withstand the most heavy duty applications.



Reference Chart

Part No.	Dimensions (mm)							
	A	B	C	D	E	F	G	H
1402864	87	46	15	38	17	20	--	--
2227570	88	45	16	34	17	20	44	4
2227571	88	45	13	32	13	20	44	4

Part No.	Machine Models
	1402864
2227570	PM-201
2227571	T6B, T9B, T15B, PC205B, PC408B, PC412B, PC404



* Other part no. not included in the list are available. Please contact your sales representative if you have any questions. Part Numbers are used for reference purposes only