

PARTS & SERVICE NEWS

REF NO.	A945010
DATE	Feb.23, 1994

SUBJECT: RELEASE SERVICE PARTS FOR OPERATOR'S CAB

PURPOSE: To provide a service parts list for the operator's cab on the below listed Wheel Loaders.

APPLICATION: WA250-1LC Wheel Loaders With Serial Numbers A65281 and up *
WA320-1LC Wheel Loaders With Serial Numbers A25165 and up, except for
Loader with s/n A25181 equipped with Palm Cab)

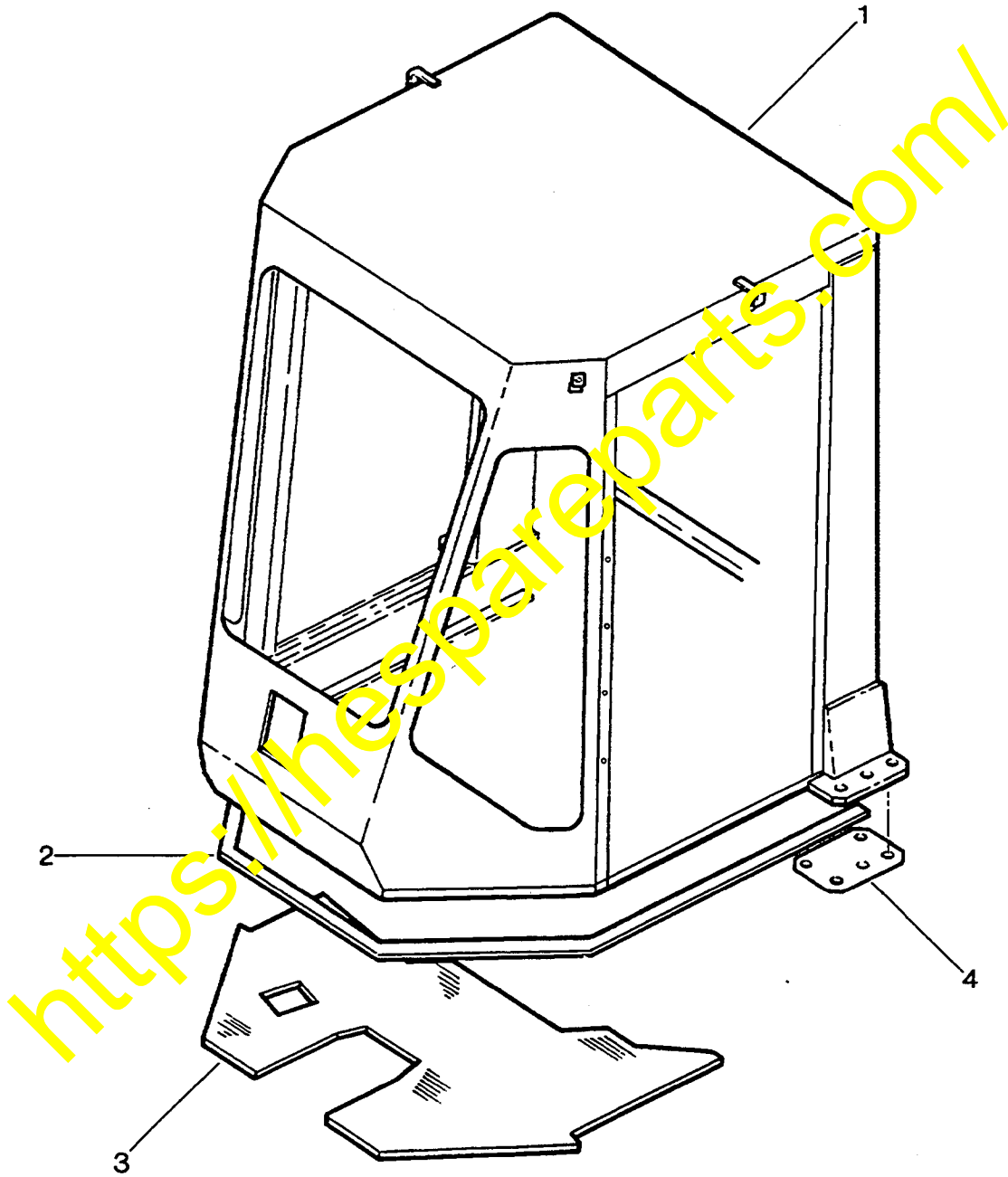
DESCRIPTION: The component service parts for operator's cabs, part numbers 419-926-A010, are released for service.

For the service part numbers of the cab component parts, refer to the subsequent pages of this PARTS & SERVICE NEWS.

<https://hespareparts.com/>

SUPERSTRUCTURE

ROPS CAB
MOUNTING PARTS - MODEL WA250



L13BZ010

SUPERSTRUCTURE

**ROPS CAB
MOUNTING PARTS - MODEL WA250**

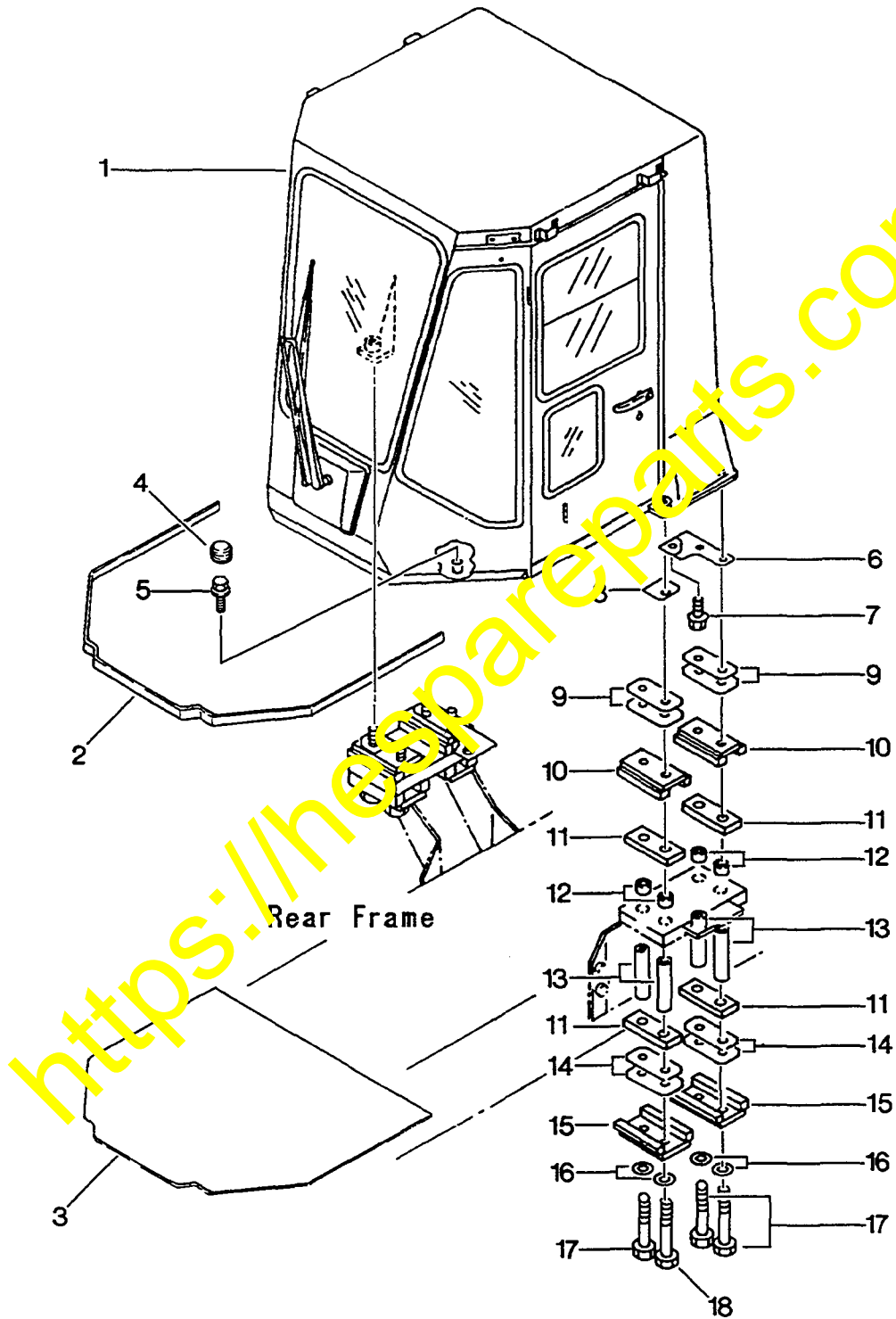
Item	Part Number	Description	Qty.	Ref.
1	419-926-A010	CAB ASSEMBLY, COMPLETE	1	F1
2	418-927-AN40	SEAL	1	
3	419-54-12233	MAT, FLOOR	1	
4	418-927-AB30	SHIM	4	
MOUNTING HARDWARE:				
	01010-32480	BOLT	4	
	01010-41235	BOLT	8	
	01011-32400	BOLT	6	
	01641-31223	WASHER	8	
	01643-12460	WASHER	10	
	418-927-AC10	PLUG	8	

F1 - USED ON MACHINES S/N 65281 AND UP.

<https://hespareparts.com/>

SUPERSTRUCTURE

ROPS CAB MOUNTING PARTS - MODEL WA320



L13BZ011

SUPERSTRUCTURE

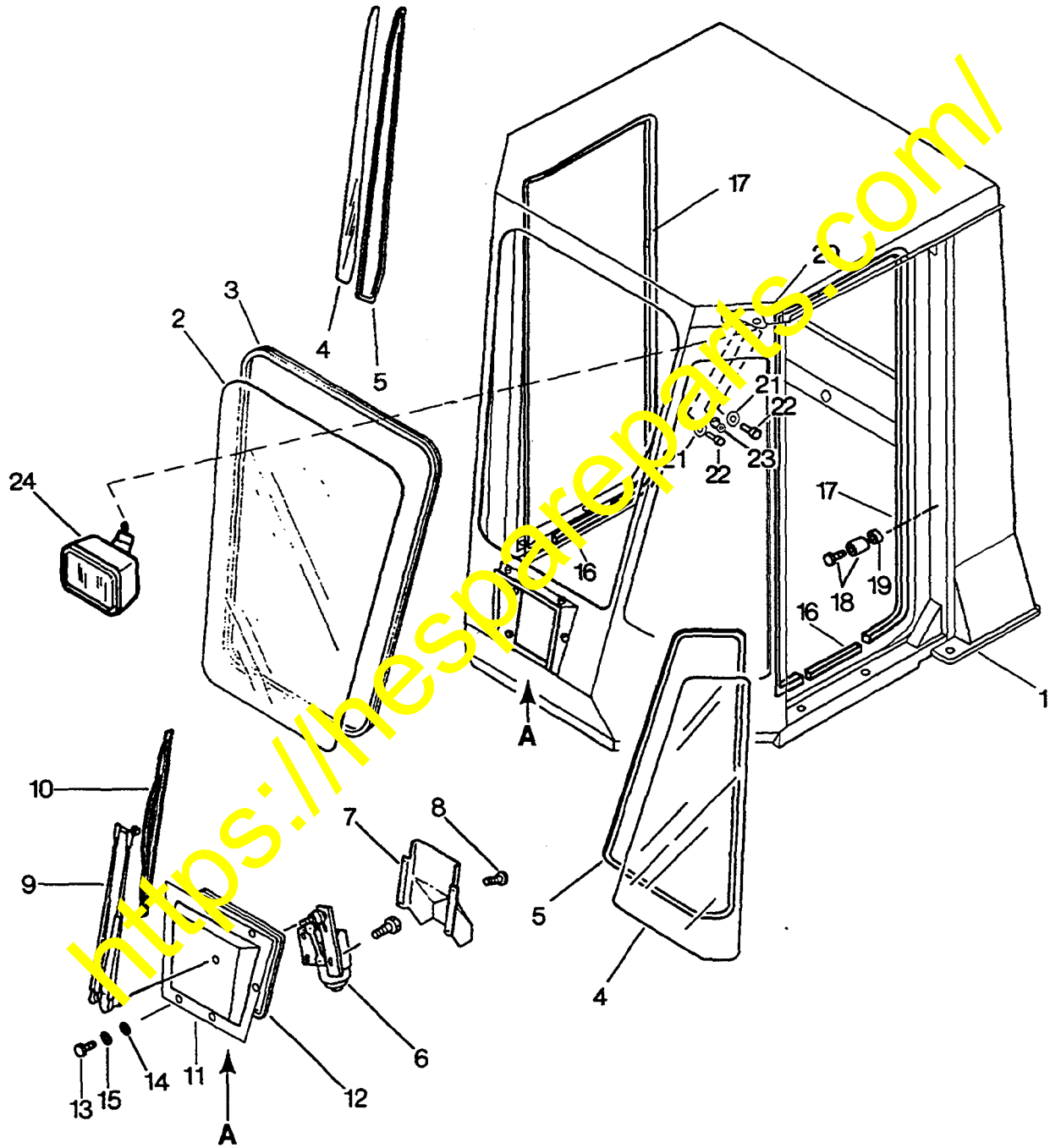
ROPS CAB MOUNTING PARTS - MODEL WA320

Item	Part Number	Description	Qty.	Ref.
1	419-926-A010	CAB ASSEMBLY, COMPLETE	1	F1
2	418-927-AN40	.SEAL	1	
3	419-926-A100	.MAT, FLOOR	1	
4	418-927-AC10	.PLUG	8	
5	01010-41235	.BOLT	8	
6	419-928-A020	.PLATE, LH	1	
	419-928-A030	.PLATE, RH	1	
7	01435-01225	.BOLT	2	
8	419-928-1120	.PLATE	2	
9	419-928-1180	.SHIM, 0.5mm	26	
10	419-928-1160	.BRACKET	4	
11	419-928-1171	.CUSHION	8	
12	419-928-1130	.CUSHION	8	
13	419-928-1140	.SPACER	8	
14	419-928-1190	.SHIM, 0.5mm	28	
15	419-928-A110	.BRACKET	4	
16	01643-32460	.WASHER	8	
17	01011-52480	.BOLT	6	
18	01011-52460	.BOLT	2	

F1 - USED ON MACHINES S/N 25165 - 25180, S/N 25182
AND UP - S/N 25181 BUILT WITH PALM CAB.

SUPERSTRUCTURE

ROPS CAB FRONT GLASS, WIPER, AND LIGHTS



L13DD004A

SUPERSTRUCTURE

ROPS CAB FRONT GLASS, WIPER, AND LIGHTS

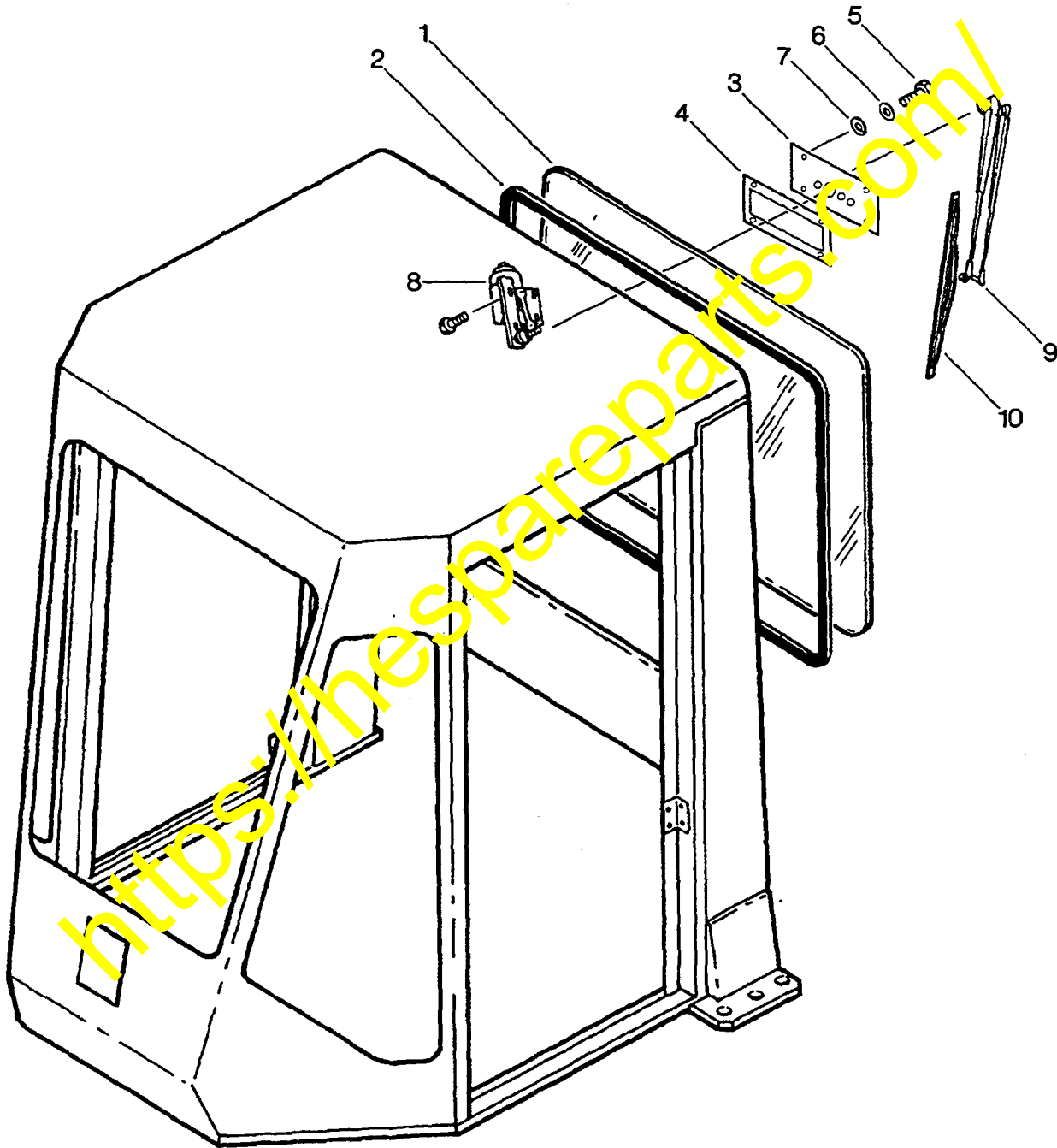
Item	Part Number	Description	Qty.	Ref.
		ROPS CAB ASSEMBLY (SEE PAGE 03 OR PAGE 05)	1	F1
1	419-926-A040	.CAB	1	
2	419-926-1650	.GLASS, WINDSHIELD	1	
3	417-927-AC70	.STRIP, WEATHER	1	
4	419-54-15641	.GLASS, FRONT SIDE	2	
5	417-927-AC80	.STRIP, WEATHER	2	
6		.MOTOR, WINDSHIELD WIPER (SEE PAGE 19)	1	
7	417-926-AG00	..GUARD BOX, WIPER MOTOR	1	
8	24 390 R1	..SCREW, #10-16 X 1/2 - PAN	2	
9	417-927-AE50	.ARM, WINDSHIELD WIPER	1	
10	417-927-AE40	.BLADE, WINDSHIELD WIPER	1	
	417-927-AN10	.COVER ASSEMBLY. FRONT WIPER	1	
11	NSS	..COVER, FRONT WIPER	1	
12	417-927-AE70	..SEAL, FRONT COVER	1	
13	01010-50620	.BOLT	6	
14	01643-30623	.WASHER, FLAT	6	
15	01602-20619	.WASHER, LOCK	6	
16	417-927-AM50	.SEAL, BOTTOM DOOR	2	
17	417-927-AE90	.SEAL, DOOR	2	
18	417-927-AM30	.STRIKER BOLT ASSEMBLY	2	
19	417-927-AM40	.WASHER, HEAVY	2	
20	417-926-AS00	.BRACKET, L. H. - WORK LIGHT MOUNTING	1	
	417-926-AS10	.BRACKET, R. H. - WORK LIGHT MOUNTING	1	
21	01643-61032	.WASHER	4	
22	01010-51025	.BOLT, MOUNT WORK LIGHT BRACKETS	4	
	419-926-AC00	.BOLT, PLASTIC	4	F2
	417-927-AR20	.PLUG, SNAP	2	F2
23	417-927-AR10	.GROMMET	4	
24	417-927-AF70	.LIGHT, WORK (CAB MOUNTED)	2	

F1 - USED ON MACHINES S/N 65281 AND UP (WA250).
 USED ON MACHINES S/N 25165 - 25180, S/N 25182
 AND UP (WA320).

F2 - FOR MACHINES NOT EQUIPPED WITH CAB MOUNTED WORK LIGHTS.

SUPERSTRUCTURE

ROPS CAB REAR WINDOW



L13CR007

SUPERSTRUCTURE

ROPS CAB REAR WINDOW

Item	Part Number	Description	Qty.	Ref.
		ROPS CAB ASSEMBLY (SEE PAGE 03 OR PAGE 05)	1	F1
1	419-54-15511	.GLASS, REAR WINDOW	1	
2	417-927-AC90	.STRIP, WEATHER	1	
	417-927-AN20	.COVER ASSEMBLY, WIPER REAR	1	
3	NSS	..COVER, REAR WIPER	1	
4	417-927-AE80	..SEAL, REAR WIPER COVER	1	
5	01010-50620	.BOLT, MOUNT WIPER COVER	4	
6	01643-30623	.WASHER, FLAT	4	
7	01602-20619	.WASHER, LOCK	4	
8		.MOTOR, REAR WINDOW WIPER (SEE PAGE 21)	1	
9	417-927-AG10	.ARM, REAR WINDOW WIPER . DUAL ARM	1	
10	417-927-AG00	.BLADE, REAR WINDOW WIPER	1	
N/I	417-927-AM70	.PLUG, CAP	3	F2
N/I	417-927-AM60	.PLUG, DOME	1	F2

IF
 * ADAPTER
 IS REQD
 ADAPTER P/N
 417-927-AF90
 SEE A 435013
 PAGE 21

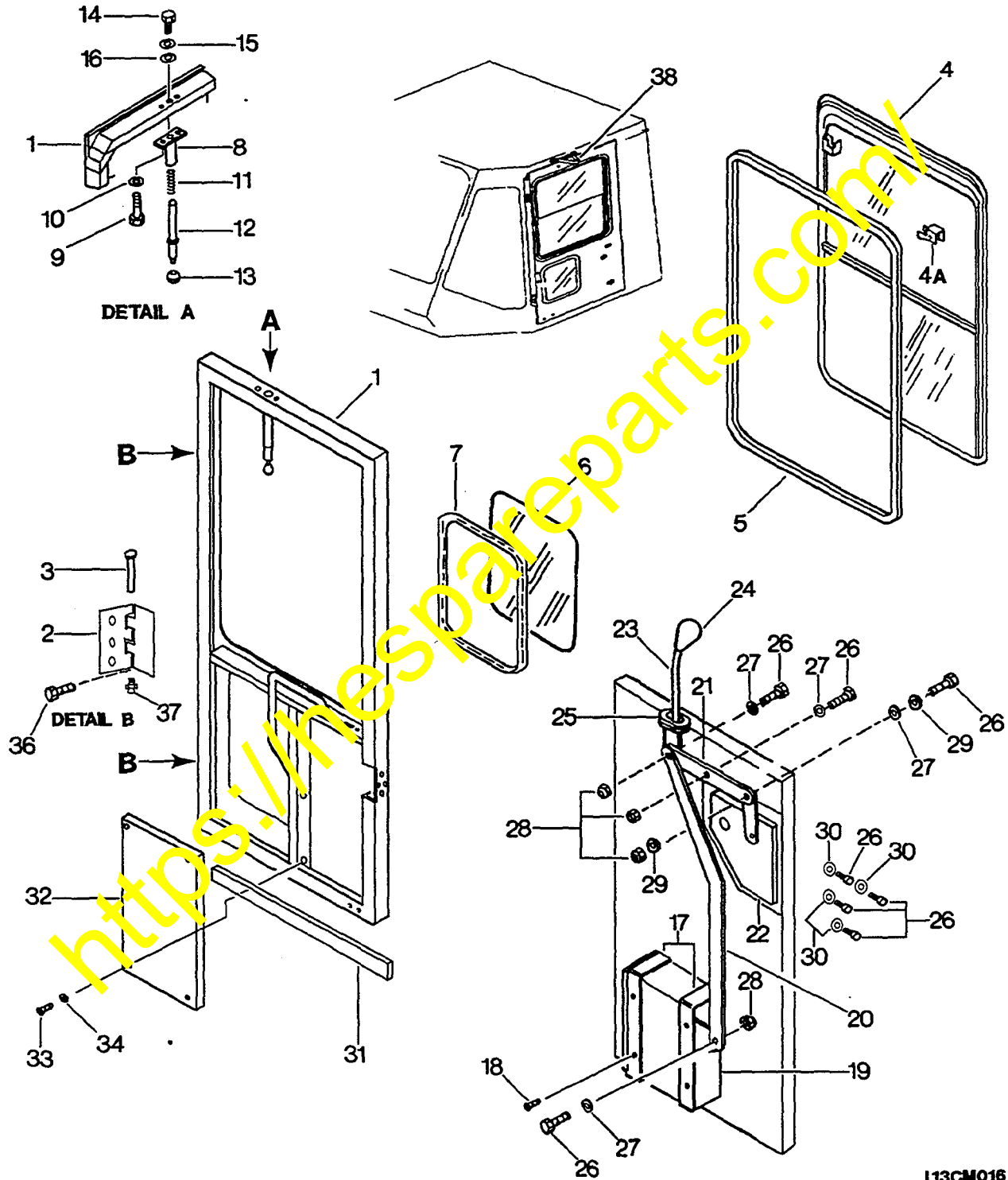
F1 - USED ON MACHINES S/N 65281 AND UP (WA250).
 USED ON MACHINES S/N 25165 - 25180, S/N 25182
 AND UP (WA320).

F2 - USED ON MACHINES NOT EQUIPPED WITH REAR WINDOW WIPER.

WASHER
 SPRAY NOZZLES
 KIT P/N
 417-927-AT60

SUPERSTRUCTURE

ROPS CAB RIGHT AND LEFT DOORS



L13CM016

SUPERSTRUCTURE

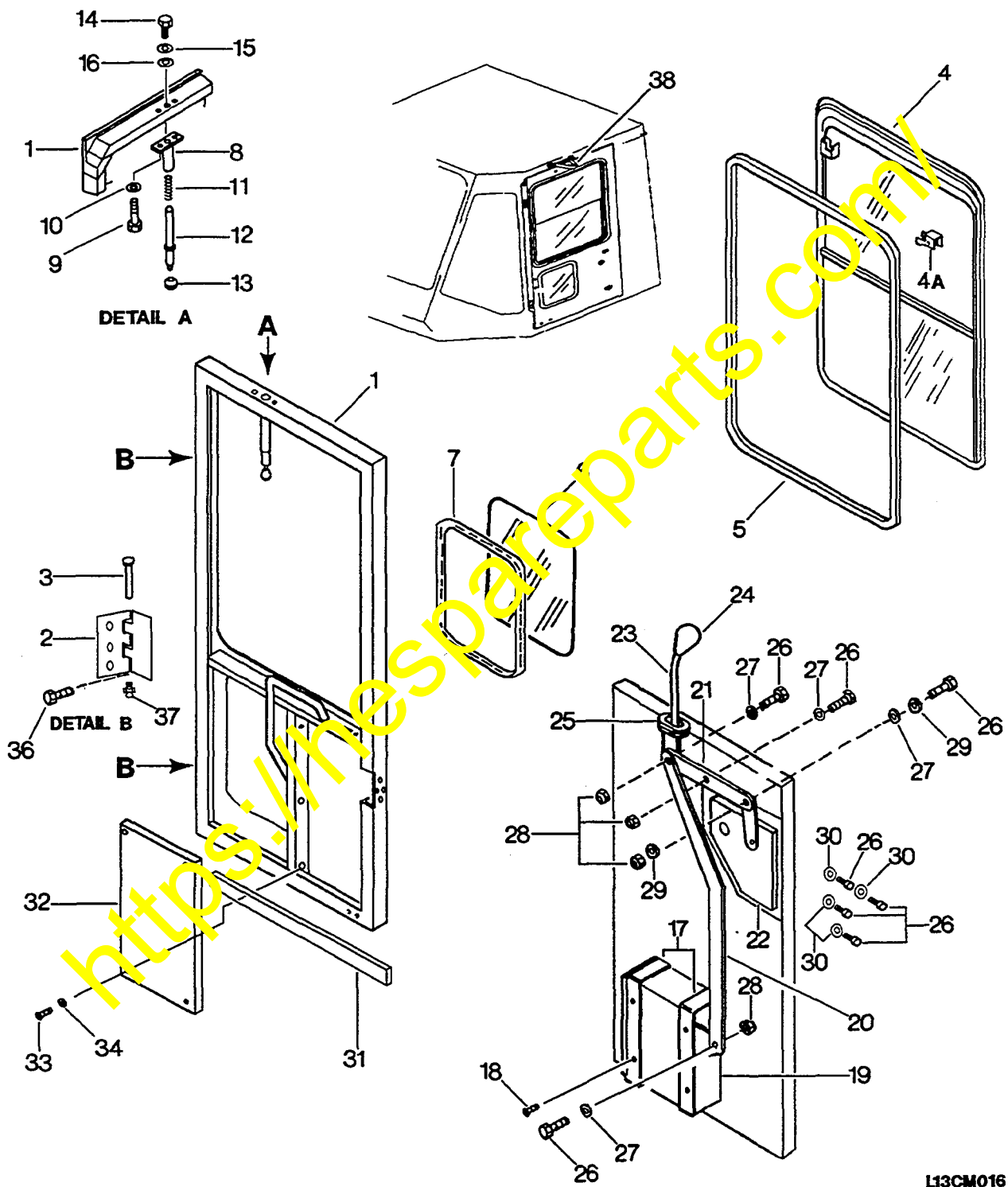
ROPS CAB RIGHT AND LEFT DOORS

Item	Part Number	Description	Qty.	Ref.
		ROPS CAB ASSEMBLY (SEE PAGE 03 OR PAGE 05)	1	F1
	418-927-AA60	..DOOR ASSEMBLY, RIGHT	1	
	418-927-AA50	..DOOR ASSEMBLY, LEFT	1	
1	NSS	..DOOR WELDMENT	1	
2	417-926-AW70	...HINGE SECTION, CAB	2	
	417-926-AW80	...HINGE SECTION, DOOR	2	
3	1129 939 C1	...PIN	2	
4	417-927-AE00	..SASH ASSEMBLY	1	REFER Q35 PARTS BREAKDOWN
4A	NSS	...LATCH, WINDOW	2	
5	417-927-AC50	..SEAL, WINDOW RUBBER	1	
6	419-54-16631	..GLASS, DOOR	1	
7	417-927-AC60	..SEAL, WINDOW RUBBER	1	
8	417-927-AG80	..SUPPORT, DOOR HOLD	1	
9	01010-51016	..BOLT, DOOR HOLD SUPPORT	2	
10	01643-31032	..WASHER	2	
11	417-927-AR90	..SPRING, DOOR HOLD	1	
12	417-926-AY70	..ROD, DOOR HOLD	1	
13	417-927-AJ40	..KNOB, DOOR HOLD ROD	1	
14	01010-50616	..BOLT, DOOR HOLD	1	
15	01602-20619	..WASHER, LOCK	1	
16	417-927-AC20*	..DISC, DOOR HOLD S/R 417-926-AW00 . WASHER TYPE 7	1	
17	417-926-AS30	..BRACKET, PADDLE HANDLE MOUNT	2	
18	26 667 R1	..SCREW #10-24 X 3/4 - PAN HD	4	
19	417-927-AF20	...PADDLE HANDLE ASSEMBLY - RH	1	
	417-927-AD30	...PADDLE HANDLE ASSEMBLY - LH	1	
20	417-926-AN10	..BAR, LINK	1	
21	417-927-AR50	..BAR, PIVOT	1	
22	417-927-AF10	..LATCH ASSEMBLY, ROTARY - RH	1	
	417-927-AD20	..LATCH ASSEMBLY, ROTARY - LH	1	
23	417-927-AD10	..HANDLE, DOOR	1	
24	417-927-AJ40	..KNOB, DOOR HANDLE	1	
25	417-927-AK00	..GROMMET	1	
26	180 022	..BOLT, 1/4NC X 1	8	
27	1234 781 H1	..WASHER, NYLON	5	
28	24 468 R1	..NUT, 1/4NC LOCK	4	

* THIS DISC (HORSESHOE TYPE)
GOES W/ PART OF
ITEM 38
On phone w/
Dariusz
R

SUPERSTRUCTURE

ROPS CAB RIGHT AND LEFT DOORS



L13CM016

SUPERSTRUCTURE

ROPS CAB RIGHT AND LEFT DOORS

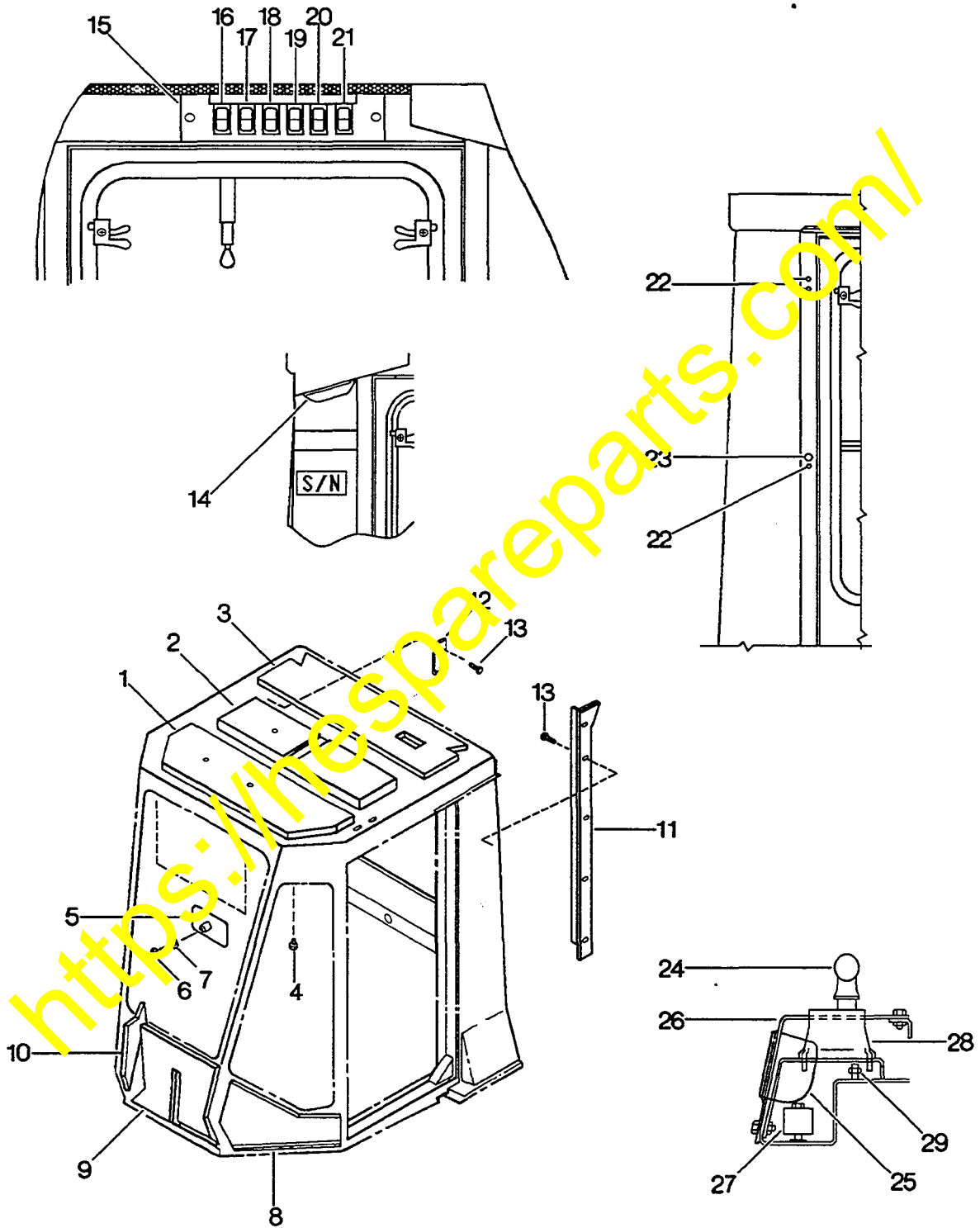
Item	Part Number	Description	Qty.	Ref.
29	120 386	..WASHER, 1/4 FLAT	2	
30	120 380	..WASHER, 1/4 LOCK	4	
31	417-927-AF30	..SEAL, DOOR - LOWER	1	
32	417-926-AW10	..PANEL, DOOR INTERIOR	1	
33	24 396 R1	..SCREW, #10-16 X 3/4 - SELF TAPPING	4	
34	417-927-AM20	..WASHER, FINISH	4	
N/I	417-927-AM50	..TRIM, DOOR OPENING	1	
36	01010-51025	.BOLT, MOUNT DOOR HINGE TO CAB	12	
37	273 355	.FITTING, GREASE - DOOR HINGE	4	
38	417-927-AG70	.DOOR HOLD ASSEMBLY, RH	1	
	417-926-AY30	.DOOR HOLD ASSEMBLY, LH	1	
	01010-51025	.BOLT, MOUNT DOOR HOLD ASSEMBLY	4	
	01602-21030	.WASHER, LOCK	4	
	01643-31032	.WASHER, FLAT	4	

F1 - USED ON MACHINES S/N 65281 AND UP (WA250).
 USED ON MACHINES S/N 25165 - 25180, S/N 25182
 AND UP (WA320).

<https://www.mscspareparts.com/>

SUPERSTRUCTURE

ROPS CAB INTERIOR TRIM



L13CV008

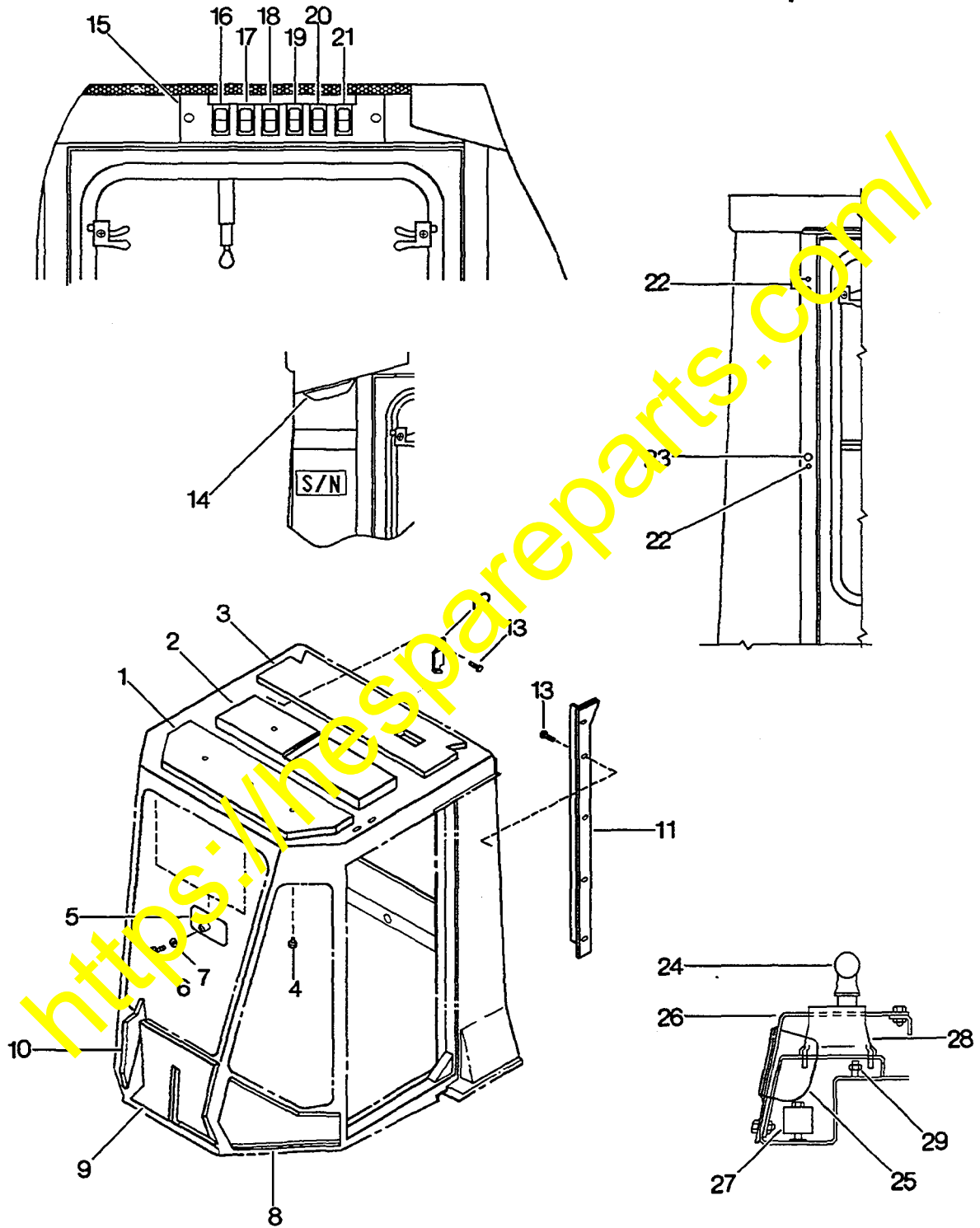
SUPERSTRUCTURE

ROPS CAB INTERIOR TRIM

Item	Part Number	Description	Qty.	Ref.
		ROPS CAB ASSEMBLY (SEE PAGE 03 OR PAGE 05)	1	F1
1	418-926-AL70	.FOAM PAD, FRONT ROOF	1	
2	418-926-AL60	.FOAM PAD, CENTER ROOF	1	
3	418-926-AL50	.FOAM PAD, REAR ROOF	1	
4	1171 134 C2	.FASTENER	5	
5	417-926-AY60	.MIRROR, REAR VIEW (INSIDE)	2	
7	180 020	.BOLT, 1/4NC X 3/4	2	
6	120 380	.WASHER, 1/4 LOCK	2	
8	417-926-AV90	.FOAM PAD, LOWER LH	1	
9	417-926-AV80	.FOAM PAD, LOWER FRONT	1	
10	417-926-AW00	.FOAM PAD, LOWER RH	1	
11	417-926-AF90	.COVER, WIRE - LH	1	
12	417-926-AJ50	.COVER, WIRE - RH	1	
13	24 390 R1	.SCREW, #10-16 X 1/2 - PAN HD	6	
14	1232 843 H91	.LIGHT, DOME	1	
	1260 121 H1	.BULB, DOME LIGHT	1	
	455 678	.SCREW, #10-32 X 1/2 - VAL HD - MOUNT DOME LIGHT	2	
15	418-927-AK90	.PANEL, SWITCH	1	
	180 034	.BOLT, - MOUNT SWITCH PANEL	2	
	120 380	.WASHER, LOCK	3	
	418-927-AP40	.DECAL, SWITCH PANEL	1	
16	418-927-AB50	.SWITCH, WIPER (REAR)	1	
	OR			
	419-926-A050	.PLUG, SWITCH	1	
17	418-927-AB70	.SWITCH, WORK LIGHT	1	
	OR			
	419-926-A050	.PLUG, SWITCH	1	
18	418-927-AB80	.SWITCH, WINDOW WASHER	1	
19	418-927-AB60	.SWITCH, DOME LIGHT	1	
20	418-927-AB50	.SWITCH, WIPER (FRONT)	1	
21	418-927-AB90	.SWITCH, SPARE	1	
	OR			
	419-926-A050	.PLUG, SWITCH	1	
22	417-927-AG90	.SCREW, NYLON	3	
23	417-927-AJ60	.PLUG, ANTENNA	1	
24	417-926-AY40	.LIGHTER, CIGAR	1	

SUPERSTRUCTURE

ROPS CAB INTERIOR TRIM



L13CV008

SUPERSTRUCTURE

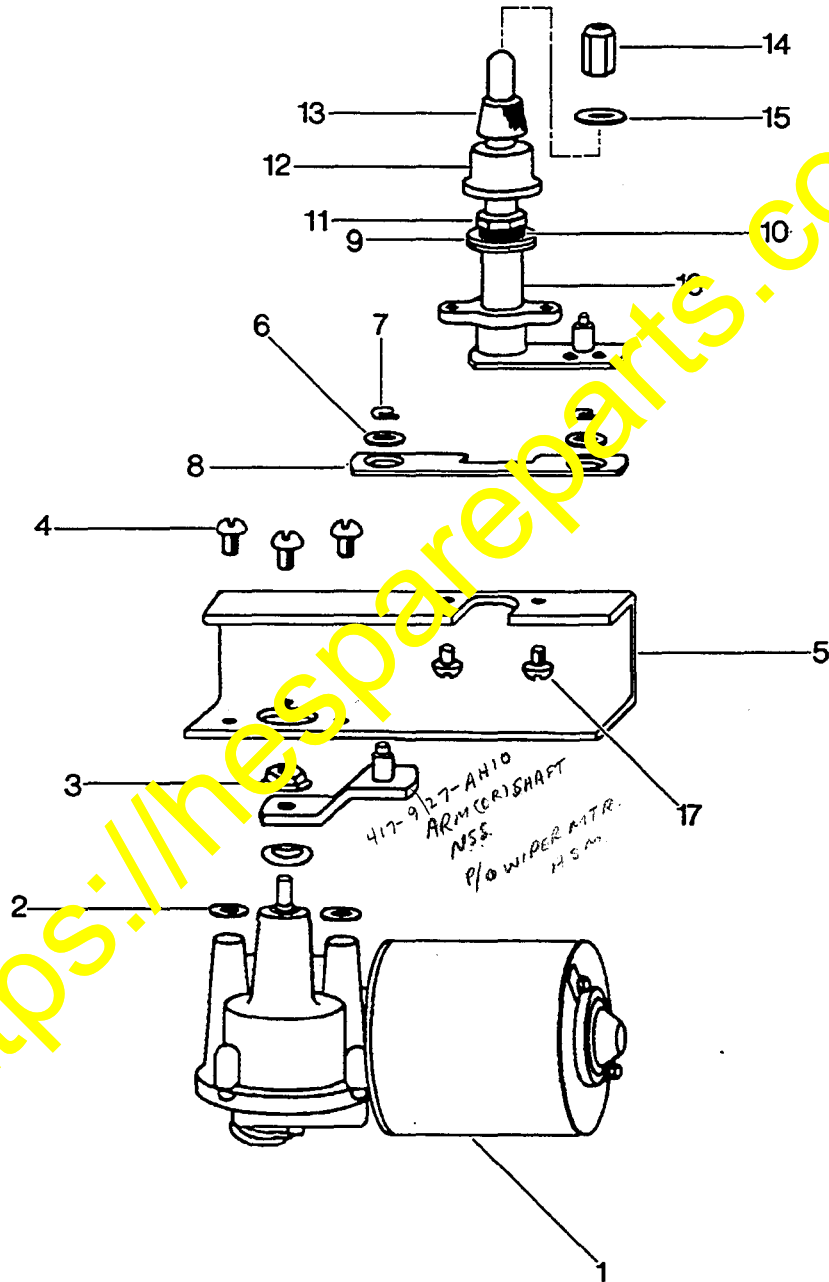
ROPS CAB INTERIOR TRIM

Item	Part Number	Description	Qty.	Ref.
25	417-927-AD00	.ASHTRAY	1	
26	418-927-AF90	.COVER, REAR PANEL	1	
	01010-50620	.BOLT, MOUNT REAR COVER	14	
	01643-30623	.WASHER, FLAT	14	
	01602-20619	.WASHER, LOCK	14	
27	418-927-AN10	.INSULATOR, STANDOFF	1	
	180 016	.BOLT, MOUNT INSULATOR	1	
	120 386	.WASHER, 1/4 FLAT	1	
	120 380	.WASHER, 1/4 LOCK	3	
28	418-927-AM90	.BLOCK, FUSE - 4-WAY STACKABLE	1	
	418-927-AP60	.SCREW, MOUNT FUSE BLOCK	4	
	418-927-AN00	.FUSE, 10 AMP	6	
	418-927-AP50	.DECAL, FUSE BOX	1	
29	418-927-AP70	.NUT, KEPS	1	

F1 - USED ON MACHINES S/N 65281 AND UP (WA250).
 USED ON MACHINES S/N 25165 - 25180, S/N 25182
 AND UP (WA320).

SUPERSTRUCTURE

WIPER MOTOR FRONT WINDSHIELD



L13DH001B

SUPERSTRUCTURE

WIPER MOTOR FRONT WINDSHIELD

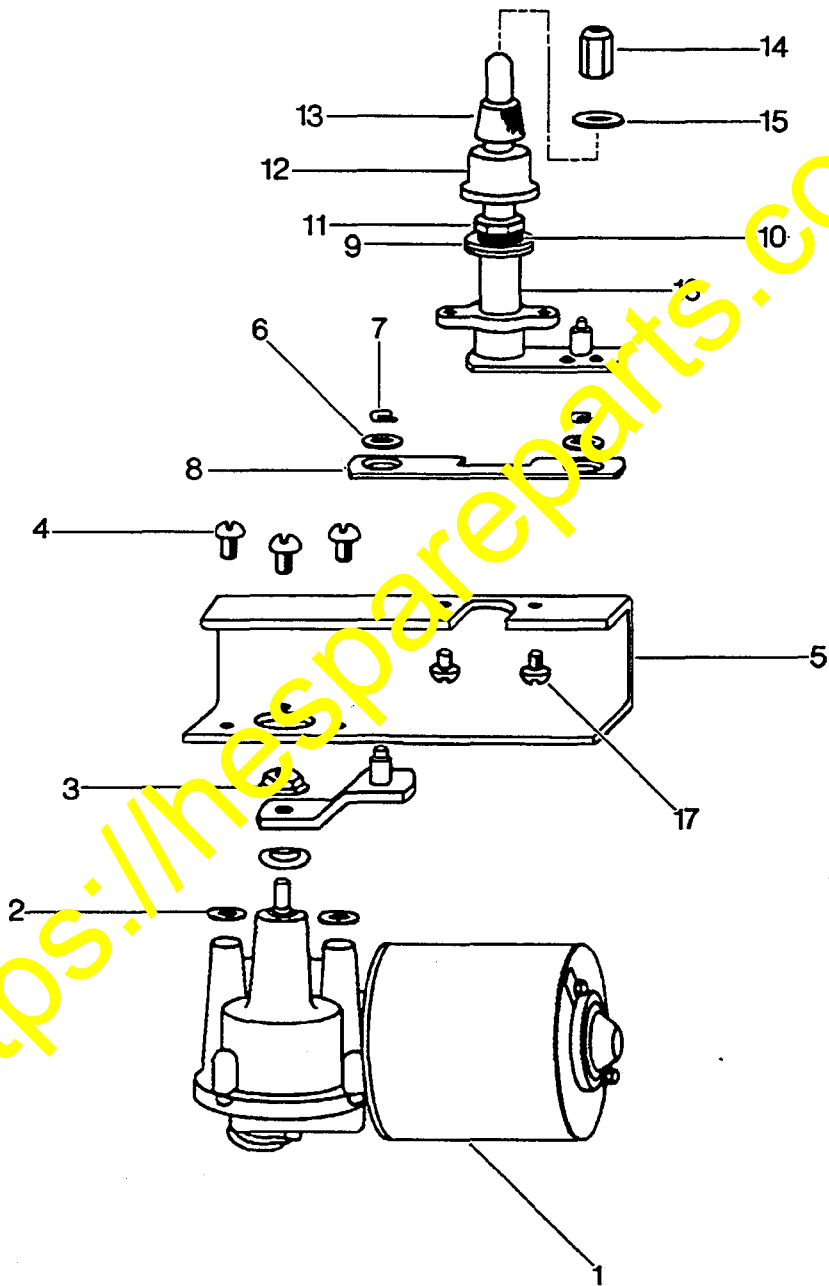
Item	Part Number	Description	Qty.	Ref.
	417-927-AN30	WIPER MOTOR KIT	1	F1
	417-927-AE20	..MOTOR, WIPER	1	
1	417-927-AS00	..MOTOR, WIPER	1	
2	417-927-AK20	..WASHER, SPACING	3	
3	417-927-AK30	..NUT	1	
4	417-927-AK40	..SCREW, FASTENING	3	
5	417-927-AL40	..BRACKET	1	
	417-927-AS10	..LINK KIT, FRONT WIPER	1	
6	417-927-AK50	..WASHER, SPACING	2	
7	417-927-AK60	..SPRING, CLIP	2	
8	417-927-AE30	..CONNECTING LINK	1	
	417-927-AS20	..PIVOT SHAFT KIT, FRONT WIPER	1	
9	417-927-AK70	..WASHER	1	
10	417-927-AK70	..WASHER	1	
11	417-927-AK90	..NUT	1	
12	417-927-AL00	..CAP	1	
13	417-927-AL10	..DRIVER, KNURLED	1	
14	417-927-AL20	..NUT	1	
15	417-927-AL30	..WASHER	1	
16	417-927-AS30	..SHAFT, PIVOT, FRONT WIPER	1	
17	417-927-AL50	..SCREW, MOUNT BRACKET	2	
N/I	417-927-AL70	..FASTENING, COWL	1	

https://mespareparts.com/

F1 - USED ON MACHINES S/N 65281 AND UP (WA250).
 USED ON MACHINES S/N 25165 - 25180, S/N 25182
 AND UP (WA320).

SUPERSTRUCTURE

WIPER MOTOR REAR WINDOW



<https://inespareparts.com/>

L13DH001B

SUPERSTRUCTURE

WIPER MOTOR REAR WINDOW

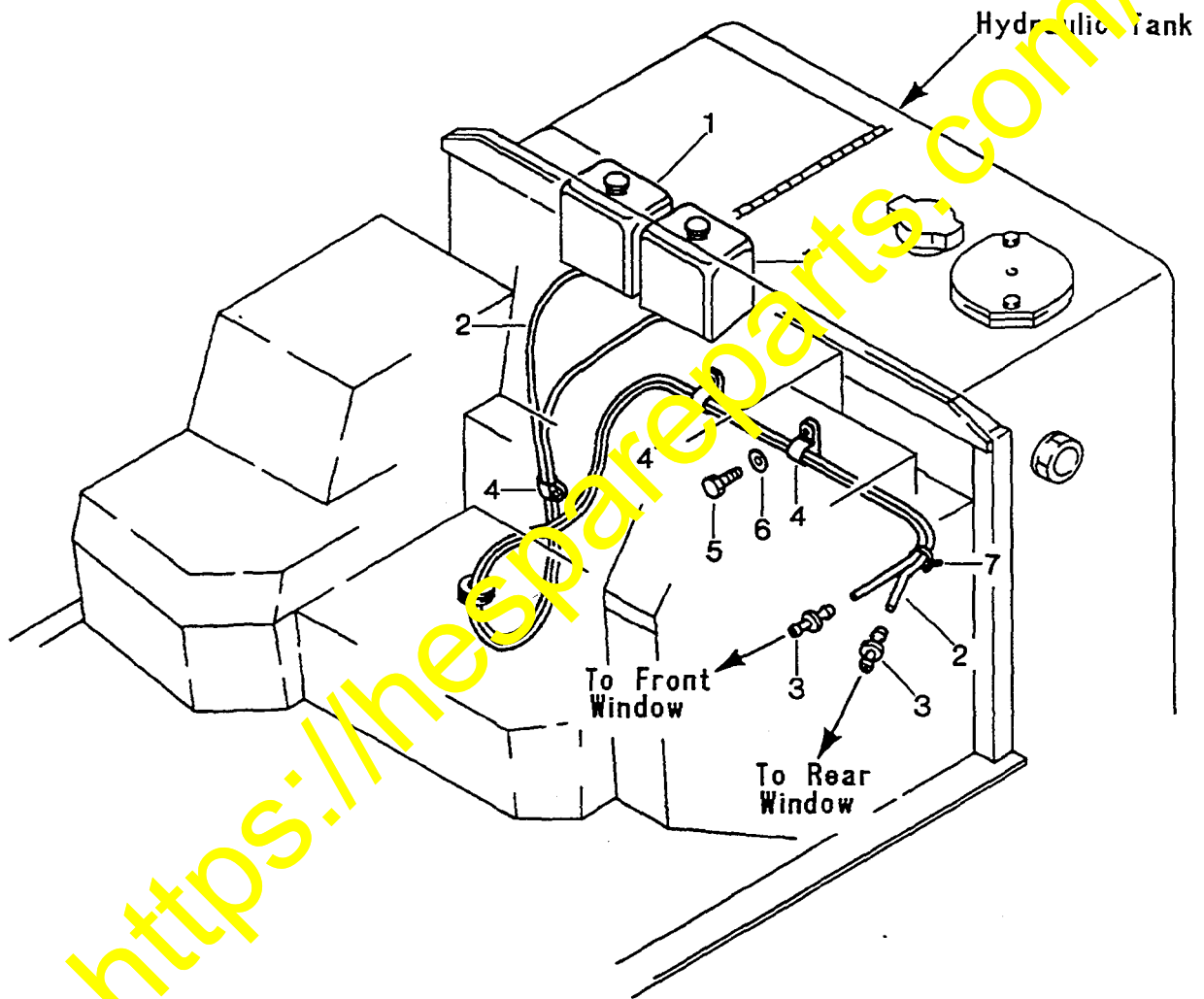
Item	Part Number	Description	Qty.	Ref.
	417-927-AE20	MOTOR, WIPER	1	F1
1	417-927-AS00	.MOTOR, WIPER	1	
2	417-927-AK20	.WASHER, SPACING	3	
3	417-927-AK30	.NUT	1	
4	417-927-AK40	.SCREW, FASTENING	1	
5	417-927-AL40	.BRACKET	1	
	417-927-AS60	LINK KIT, REAR WIPER	1	
6	417-927-AK50	.WASHER, SPACING	2	
7	417-927-AK60	.CLIP, SPRING	2	
8	417-927-AS80	.CONNECTING LINK	1	
	417-927-AS40	PIVOT SHAFT KIT, REAR WIPER	1	
9	417-927-AK70	.WASHER	1	
10	417-927-AK80	.WASHER	1	
11	417-927-AK90	.NUT	1	
12	417-927-AL00	.CAP	1	
13	417-927-AL10	.DRIVER, KNURLED	1	
14	417-927-AL20	.NUT	1	
15	417-927-AL30	.WASHER	1	
16	417-927-AS50	.SHAFT, PIVOT - REAR WIPER	1	
17	417-927-AL50	SCREW, MOUNT BRACKET	2	

https://thespareparts.com/

F1 - USED ON MACHINES S/N 65281 AND UP (WA250).
 USED ON MACHINES S/N 25165 - 25180, S/N 25182
 AND UP (WA320).

SUPERSTRUCTURE

ROPS CAB FRONT AND REAR WINDOW WASHERS



L13DV011

SUPERSTRUCTURE

ROPS CAB FRONT AND REAR WINDOW WASHERS

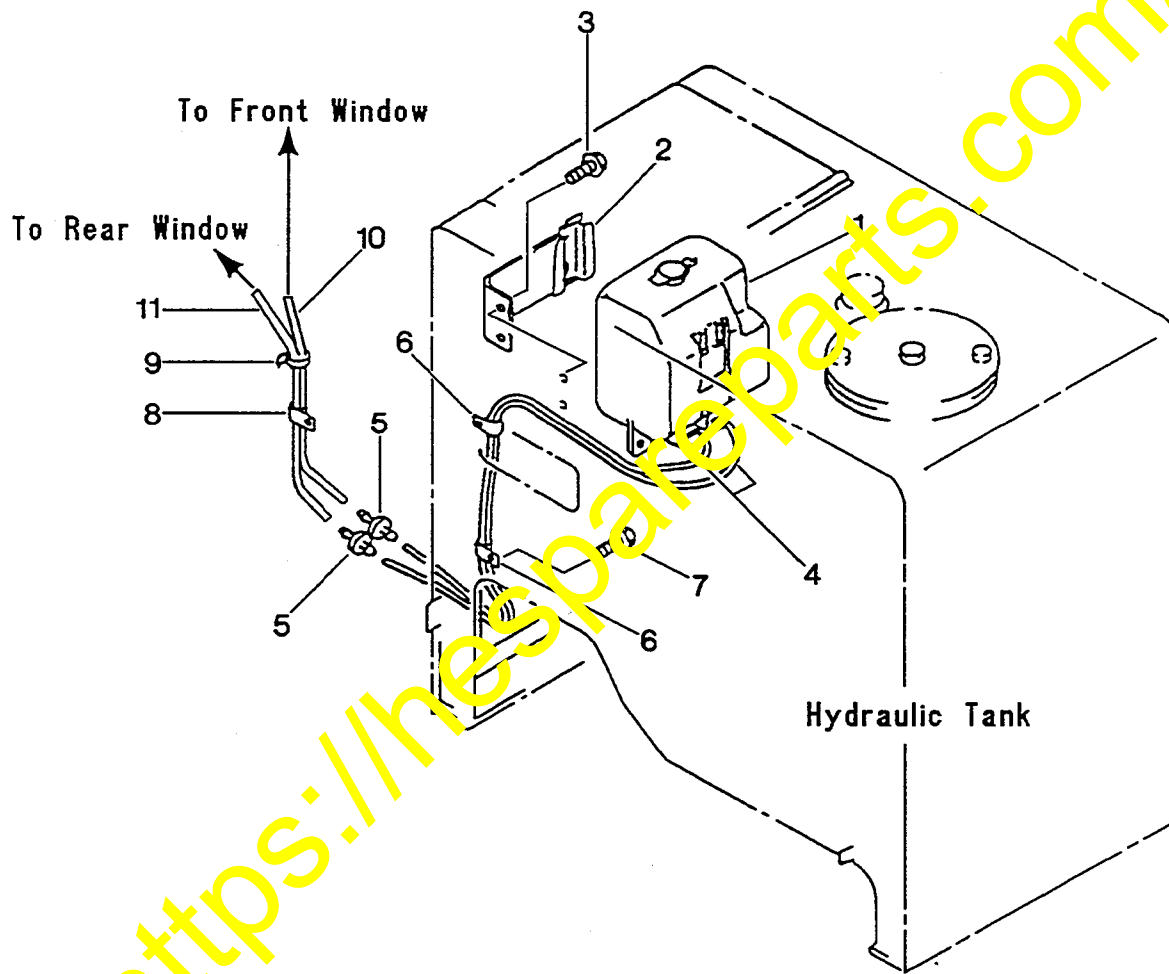
Item	Part Number	Description	Qty.	Ref.
		ROPS CAB ASSEMBLY (SEE PAGE 03 OR PAGE 05)	1	F1
1		.TANK, WASHER (SEE PAGE 27)	2	
2	419-07-16110	.HOSE, FRONT AND REAR WASHER TANKS	2	
3	421-07-15110	.JOINT, FRONT AND REAR WASHER	2	
4	08036-01414	.CLIP, WASHER HOSE	3	
5	01010-51020	.BOLT, MOUNT CLIP	3	
6	01643-31032	.WASHER	6	
7	08034-00310	.STRAP, TIE	6	

F1 - USED ON MACHINES S/N 65 81 AND UP (WA250).

https://hespareparts.com/

SUPERSTRUCTURE

WINDOW WASHER



L13DV003A

SUPERSTRUCTURE

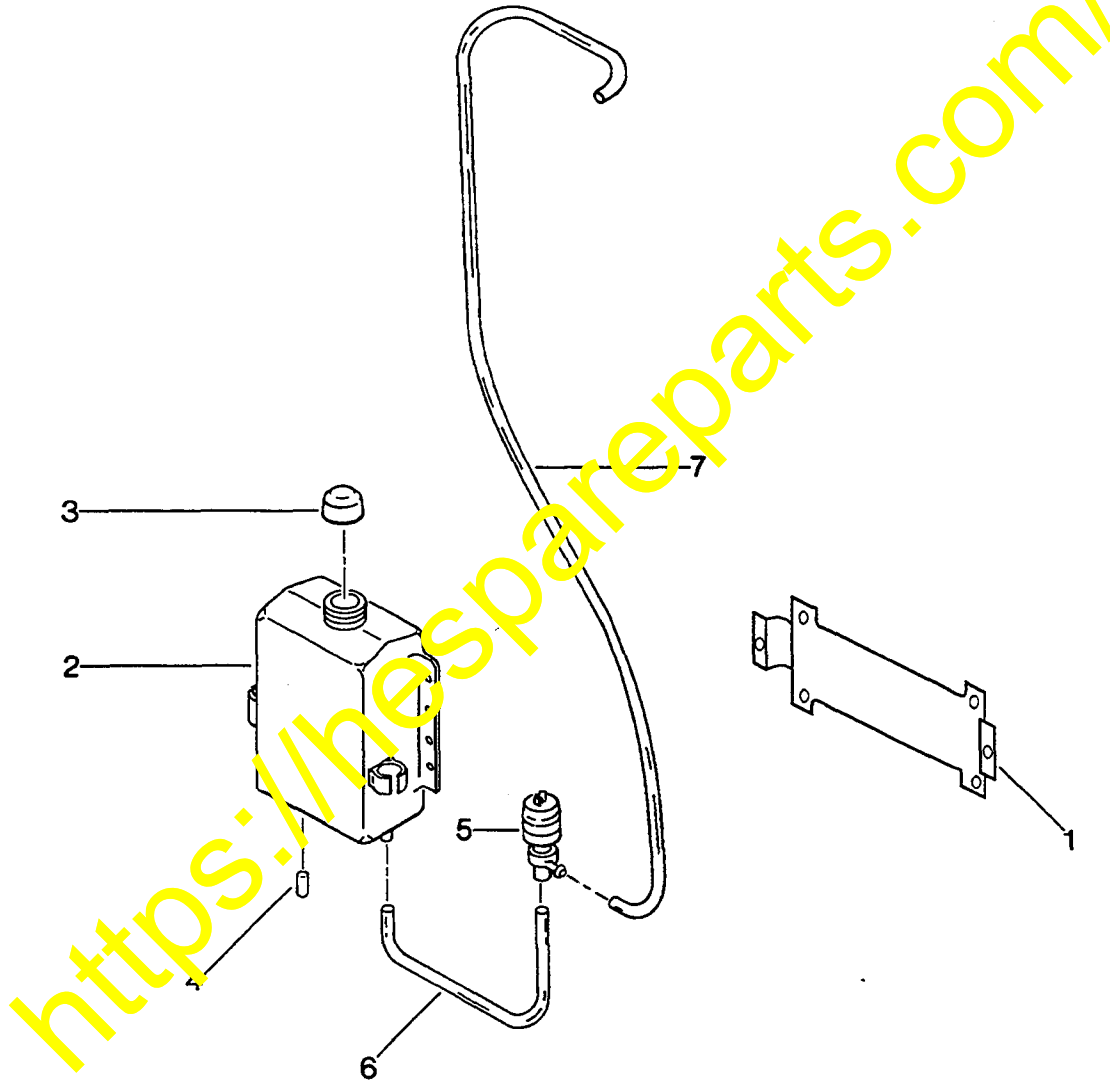
WINDOW WASHER

Item	Part Number	Description	Qty.	Ref.
1	419-926-A180	TANK ASSEMBLY, WASHER	1	
	419-926-A280	.TANK, WINDSHIELD WASHER	1	
	NSS	..TANK	1	
	423-947-1120	..CAP, WASHER TANK	1	
	NSS	..PUMP	1	
2	419-07-A1101	BRACKET, MOUNT WASHER TANK	1	
3	01010-50616	BOLT, MOUNT WASHER TANK TO BRACKET	4	
	01641-20608	WASHER	4	
	01010-51016	BOLT, MOUNT BRACKET TO BULKHEAD	2	
	01641-21016	WASHER	2	
4	419-07-16130	HOSE	2	
5	421-07-15110	JOINT	2	
6	08036-01814	CLIP	2	
7	01435-01016	BOLT	2	
8	08036-11214	CLIP	1	
9	08034-00310	STRAP, TIE	1	
10	418-927-AL80	HOSE, TO FRONT WINDOW	1	
11	417-927-AJ70	HOSE, TO REAR WINDOW	1	

NOTE: USED ON MACHINES S/N 25165 - 25180, S/N 25182
AND UP (WA320).

SUPERSTRUCTURE

ROPS CAB WINDOW WASHER TANK



L13DR009

SUPERSTRUCTURE

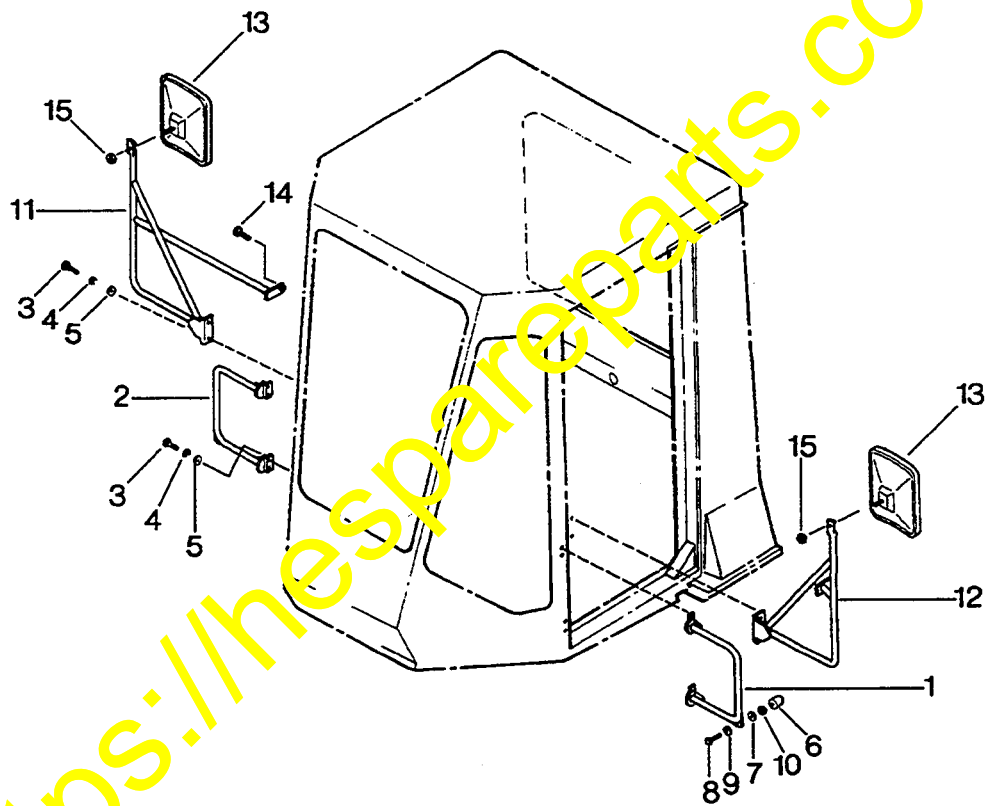
**ROPS CAB
WINDOW WASHER TANK**

Item	Part Number	Description	Qty.	Ref.
1	417-927-AG40	BRACKET, WASHER TANK	1	
	01010-51225	BOLT, MOUNT BRACKET	2	
	01643-31232	WASHER	2	
	418-927-AP30	WASHER KIT, WINDOW	1	
2	1250 358 H1	.TANK, WINDOW WASHER	1	
	180 020	.BOLT, 1/4NC X 3/4 - TANK MOUNT	4	
	120 380	.WASHER, 1/4 FLAT	4	
	120 386	.WASHER, 1/4 LOCK	4	
3	1250 468 H1	.CAP, WASHER TANK	1	
4	1210 166 H1	PLUG, WASHER TANK	1	
5	1212 589 H1	PUMP, WINDSHIELD WASHER	1	
6	417-927-AJ70	HOSE, SHORT	1	
7	418-927-AL80	HOSE, LONG	1	
N/I	08034-20519	STRAP, TIE	1	

NOTE: USED ON MACHINES S/N 65281 AND UP (WA250).

SUPERSTRUCTURE

ROPS CAB MIRRORS AND GRAB RAILS



L13FR010

SUPERSTRUCTURE

ROPS CAB MIRRORS AND GRAB RAILS

Item	Part Number	Description	Qty.	Ref.
		ROPS CAB ASSEMBLY (SEE PAGE 03 OR PAGE 05)	1	F1
1	418-927-AC70	.GRAB RAIL, LH	1	
2	418-927-AC80	.GRAB RAIL, RH	1	
3	01010-50825	.BOLT	8	
4	01602-20825	.WASHER, LOCK	8	
5	01643-30823	.WASHER, FLAT	8	
6	417-927-AB80	.BUMPER, RUBBER	2	
7	417-927-AB90	.SPACER, PLASTIC	2	
8	132 930	.SCREW, #10-32 X 1 1/2 - RDH	2	
9	120 391	.WASHER, #10	2	
10	115 999	.NUT, #10-32 - MACHINE	2	
11	417-926-AY11	.BRACKET, RH - OUTSIDE MIRROR	1	
12	417-927-AC31	.BRACKET, LH - OUTSIDE MIRROR	1	
13	417-927-AB70	.MIRROR	2	
14	01016-40820	.BOLT	6	
	419-926-A060	.BOLT, PLACTIC	6	F2
15	02205-10406	.NUT	2	

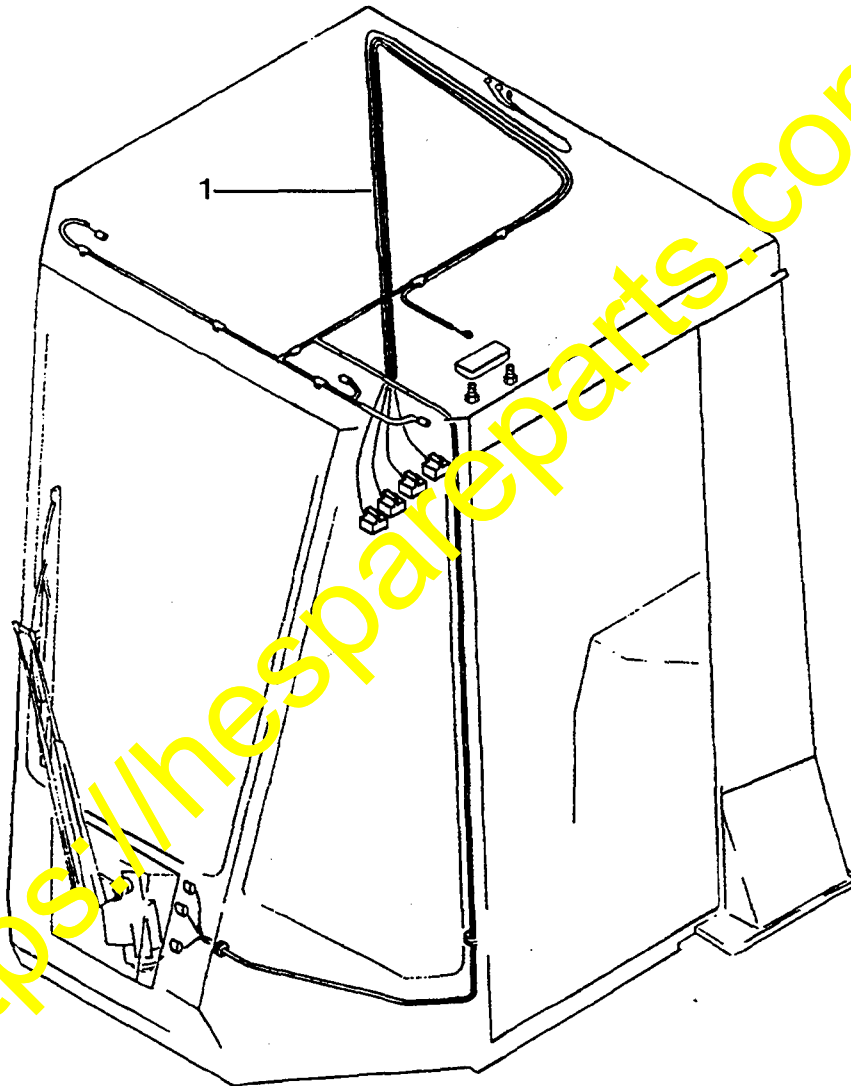
F1 - USED ON MACHINES S/N 65281 AND UP (WA250).

USED ON MACHINES S/N 25165 - 25180, S/N 25182
AND UP (WA320).

F2 - USED ON MACHINES NOT EQUIPPED WITH OUTSIDE MIRRORS.

ELECTRICAL

ELECTRICAL SYSTEM ROPS CAB



L08AD189

ELECTRICAL

**ELECTRICAL SYSTEM
ROPS CAB**

Item	Part Number	Description	Qty.	Ref.
		ROPS CAB ASSEMBLY (SEE PAGE 03 OR PAGE 05)	1	F1
I	418-927-AB40	.HARNESS, ROPS CAB	1	
N/I	417-927-AM10	.GROMMET	1	
N/I	418-927-AB20	.SEAL, RUBBER	1	

F1 - USED ON MACHINES S/N 65281 AND UP (WA250)
USED ON MACHINES S/N 25165 - 25180, S/N 25182
AND UP (WA320)

<https://hespareparts.com/>

<https://hespareparts.com/>