

PARTS & SERVICE NEWS CORRECTION

REF NO.	A955020
DATE	August 10, 1995

Page 1 of 4

This **PARTS & SERVICE NEWS CORRECTION** supersedes **Pages 11 & 12 only** of the previous issued pages in A955020 dated June 20, 1995. Please discard Pages 11 & 12 only.

- SUBJECT:** RELEASE SERVICE PARTS FOR EAGLE HEATER UNITS
- PURPOSE:** To provide a service parts list for the Eagle heater units on the below listed Wheel Loader.
- APPLICATION:** WA600-1LC Wheel Loaders With Serial Numbers A50010 and up.
- DESCRIPTION:** The component service parts for the Eagle heater unit, part number 426-942-A010, and filter box assembly, part number 425-963-A030 are released for service.
- For the service part numbers of the heater unit and filter box assembly component parts, refer to the subsequent pages of this PARTS AND SERVICE NEWS.

Correction on Page 11, parts list item # 0

Part number should read:

426-942-A210 PLUG, HOLE

Incorrect number is: 425-963-A210

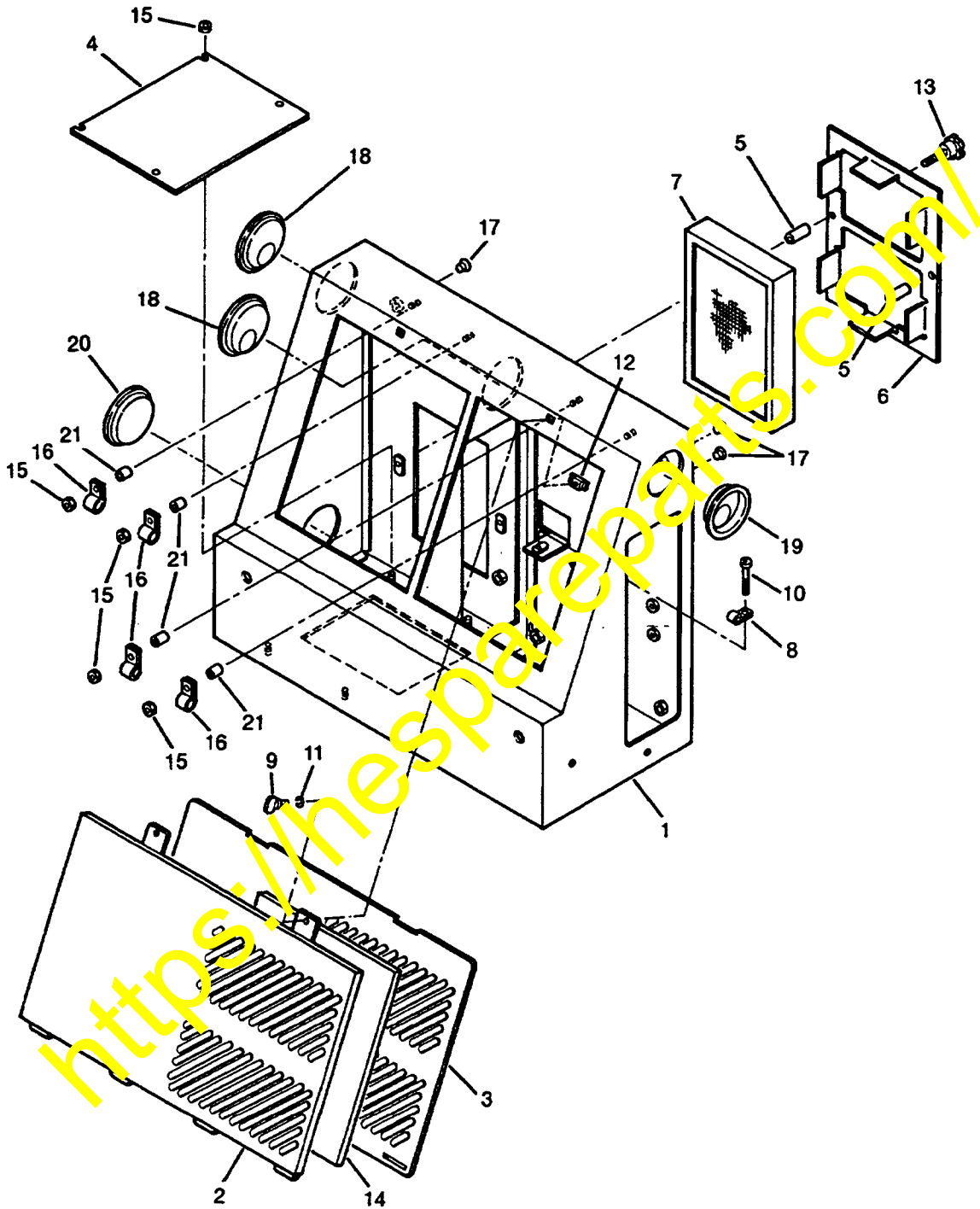
<https://hespareparts.com/>

**HEATER UNIT
TOP COVER ASSEMBLY**

Item	Part Number	Description	Qty.	Ref.
1	425-963-A640	COVER, TOP WELDMENT	1	
2		NOT USED		
3	425-963-AC60	DECAL, SWITCH PANEL	1	
4		FOAM, COVER	4	F1
5	425-963-AD50	CABLE ASSEMBLY, RECIRCULATING AIR DOOR	1	
6	425-963-A950	SWITCH, FAN	1	
7	425-963-A930	NUT, JAM 7/16-28	1	
8	425-963-A810	KNOB, FAN CONTROL	1	
9	425-963-AE20	KNOB, RECIRCULATING AIR DOOR CONTROL	1	
10	425-963-A210	PLUG, HOLE	1	
	425-963-AE80	FOAM, BULK - 40 IN. LONG		AR

F1 - CUT FROM BULK FOAM 425-963-AE80
CUT TO FIT.

FILTER BOX ASSEMBLY



L13EZ032

PARTS & SERVICE NEWS

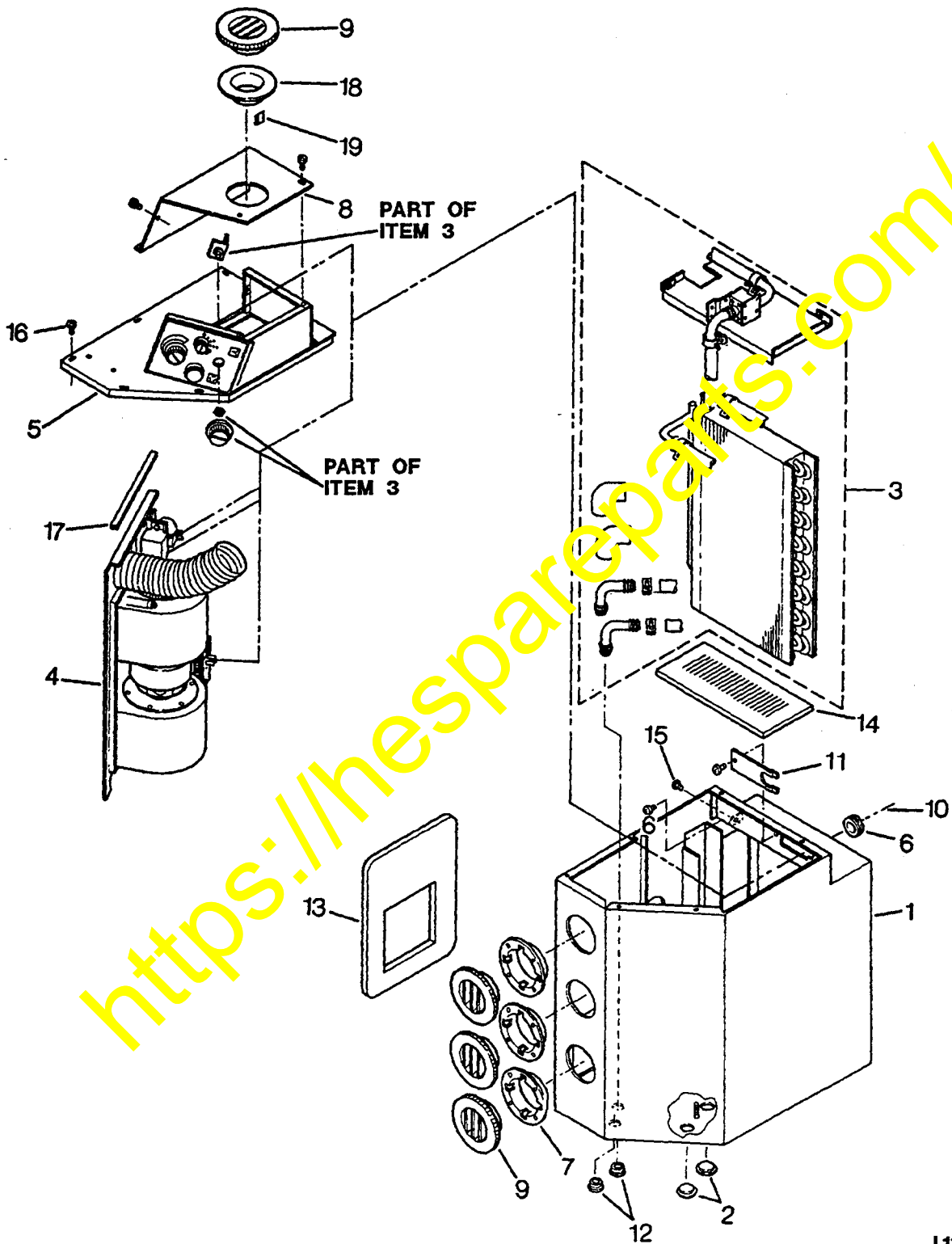
REF NO.	A955020
DATE	June 20, 1995

Page 1 of 14

- SUBJECT:** RELEASE SERVICE PARTS FOR EAGLE HEATER UNITS
- PURPOSE:** To provide a service parts list for the Eagle heater units on the below listed Wheel Loader.
- APPLICATION:** WA600-1LC Wheel Loaders With Serial Numbers A50010 and Up.
- DESCRIPTION:** The component service parts for the Eagle heater unit, part number 426-942-A010, and filter box assembly, part number 425-963-A030 are released for service.
- For the service part numbers of the heater unit and filter box assembly component parts, refer to the subsequent pages of this PARTS AND SERVICE NEWS.

<https://hespareparts.com/>

HEATER UNIT

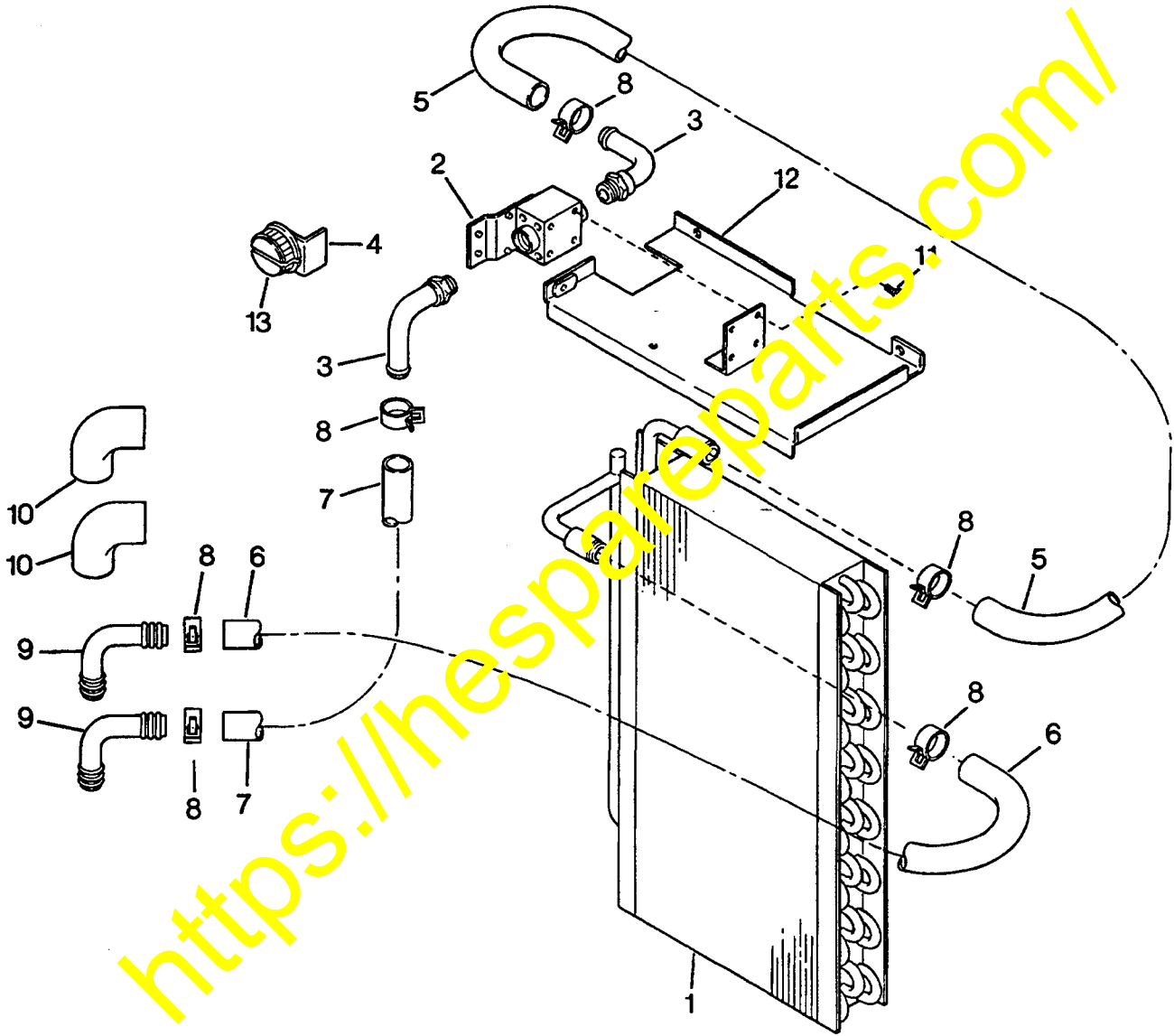


L13EZ025

HEATER UNIT

Item	Part Number	Description	Qty.	Ref.
	426-942-A010	UNIT ASSEMBLY, HEATER	1	
1	425-963-A620	.HOUSING, WELDMENT	1	
2	425-942-A220	.PLUG, HOLE	2	
3		.COIL ASSEMBLY, HEATER (SEE PG 5)	1	
4		.FAN ASSEMBLY (SEE PG 7)	1	
5		.COVER ASSEMBLY (SEE PG 11)	1	
6	425-963-A980	.GROMMET, 1 IN.	1	
7	425-963-AB30	.MOUNT, VENT	3	
8	425-963-A540	.PLATE, TOP, SWITCH BOX	1	
9	425-963-AB20	.VENT ASSEMBLY	4	
10		.HARNES, WIRING (SEE PG 7)	1	
11	425-963-A560	.PLATE, COVER	1	
12	425-963-A990	.GROMMET, 7/8 IN.	2	
13	425-963-A590	.GASKET, FOAM	1	
14	425-963-A550	.SUPPORT, COIL	1	
15	425-963-A860	.BOLT, 1/4-20 X 1/2 TORX TRUSS	3	
16	425-963-A850	.BOLT, #10-32 X 1/2 TORX TRUSS	13	
17	425-963-AE90	.FOAM, FAN ASSEMBLY 9 1/4 LONG	1	
18	425-963-AB10	.ADAPTER, HOSE 2 1/2	1	
19	425-963-A750	.CLIP, HOSE	3	

HEATER UNIT
HEATER COIL ASSEMBLY



<https://thespareparts.com/>

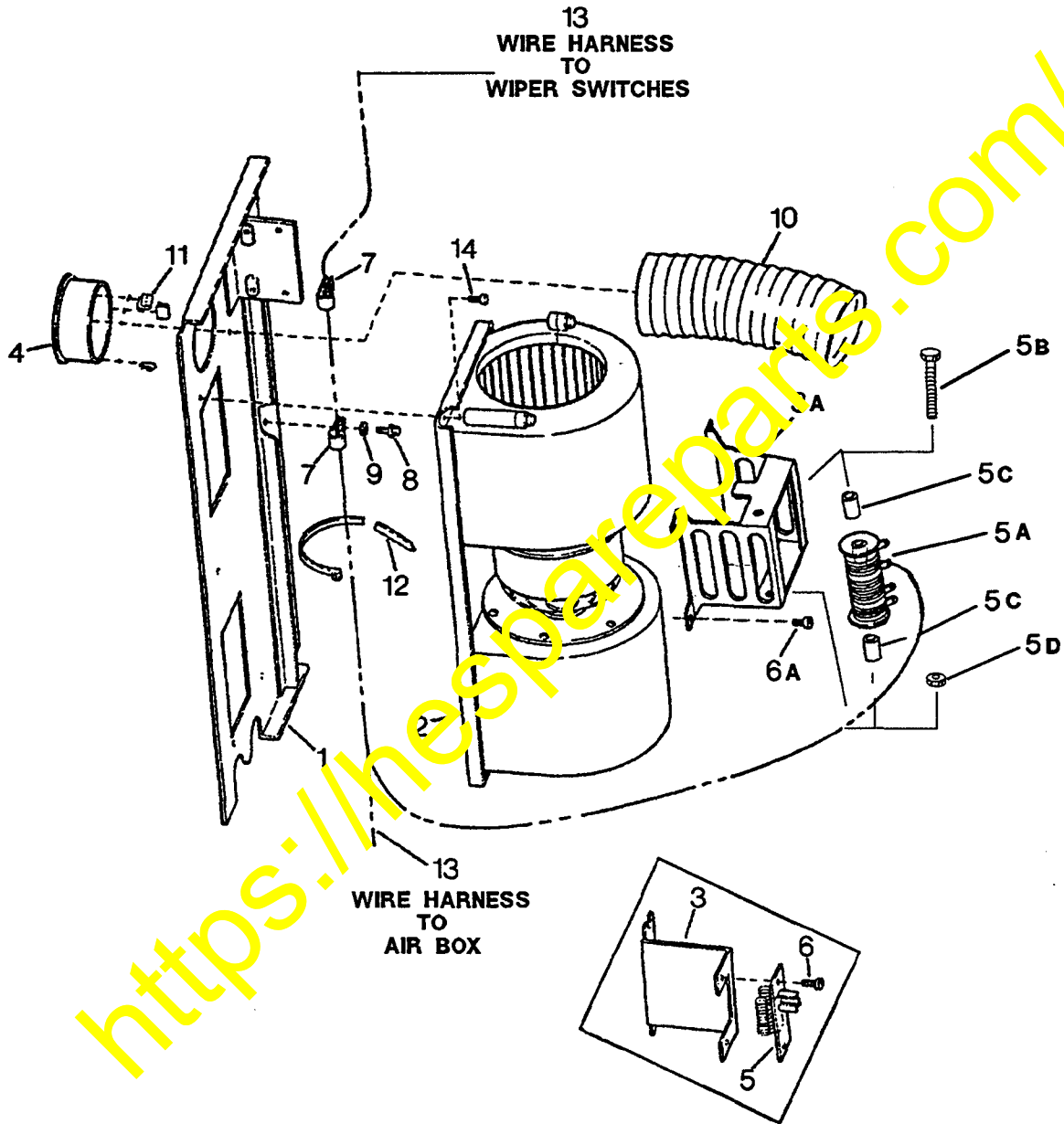
L13EZ026

**HEATER UNIT
HEATER COIL ASSEMBLY**

Item	Part Number	Description	Qty.	Ref.
1	425-963-AB90	COIL, HEATER	1	
2	425-963-AA40	VALVE, WATER	1	
3	425-963-AA80	FITTING, 90 DEGREE	2	
4	425-963-AD40	CABLE ASSEMBLY, WATER VALVE	1	
5	425-963-AE60	HOSE 5/8 ID, HTR COIL TO WATER VALVE - 4 IN. LONG	1	
6	425-963-AE50	HOSE 5/8 ID, FITTING TO HTR COIL - 15 1/2 IN. LONG	1	
7	425-963-AE40	HOSE 5/8 ID, WATER VALVE TO FITTING - 22 IN. LONG	1	
8	425-963-A870	CLAMP, HOSE	6	
9	425-963-AA20	FITTING, 90 DEGREE 5/8 SPLICER	2	
10		INSULATION, 3 IN. LONG	2	F1
11	425-963-A850	BOLT, 10-32 X 1/2 TORX TRUSS	4	
12	425-963-A680	COVER, COIL WELDMENT	1	
13	425-963-AE20	KNOB	1	
	425-963-AF20	ISULATION, BULK - 6 IN. LONG		AR

F1 - CUT FROM BULK INSULATION 425-963-AF20

HEATER UNIT
FAN ASSEMBLY



L13EZ027

**HEATER UNIT
FAN ASSEMBLY**

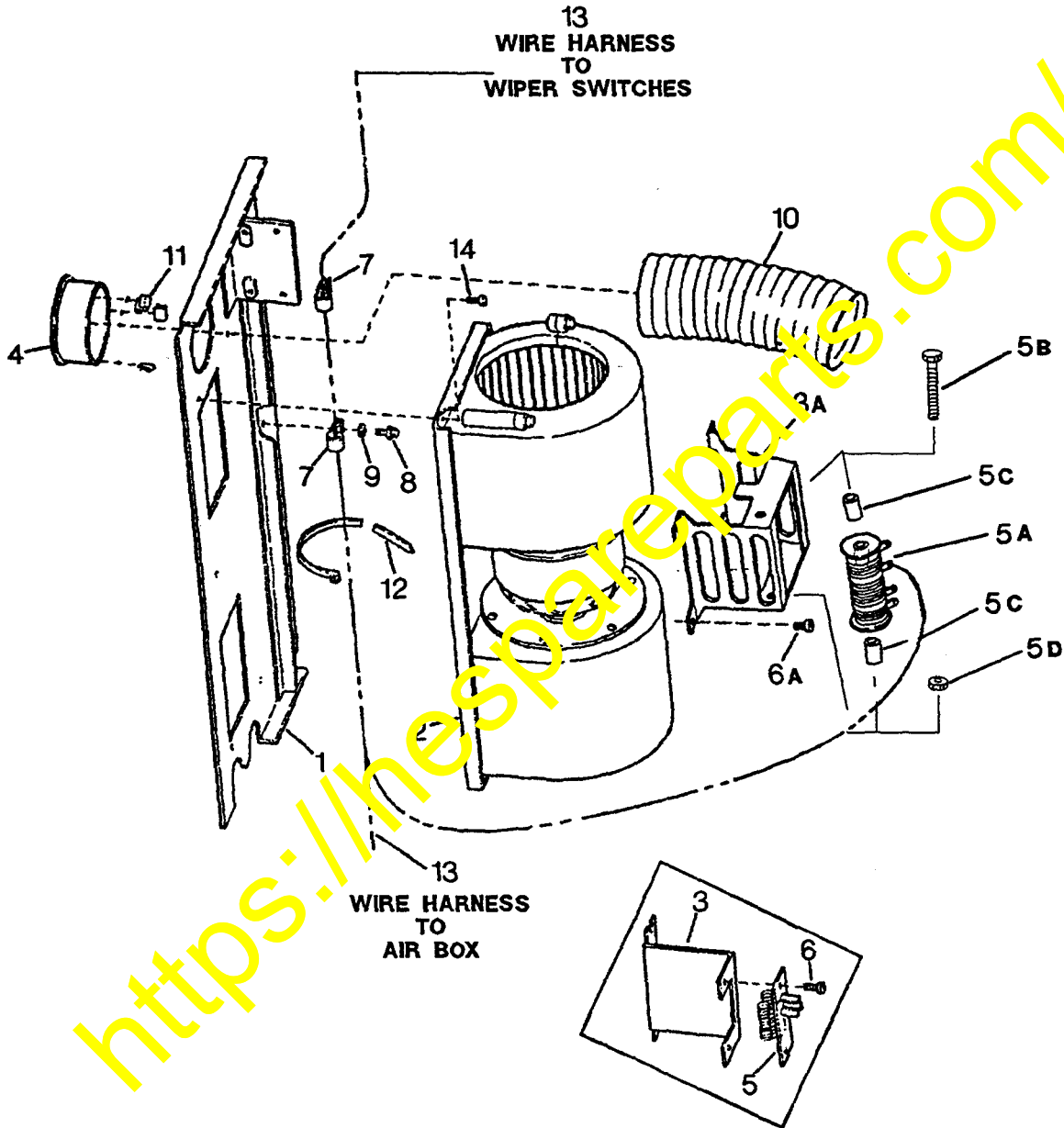
Item	Part Number	Description	Qty.	Ref.
1	425-963-A630	PLATE, FAN ASSEMBLY	1	
2	425-963-AE30	BLOWER ASSEMBLY - EARLIER VERSION	1	F3
2	425-963 AE31	BLOWER ASSEMBLY - CURRENT VERSION	1	F2
3	425-963-A690	BRACKET, RESISTOR MOUNTING -Z TYPE	1	F1
3A	425-963-A691	BRACKET, RESISTOR MOUNTING -U TYPE	1	F2
4	425-963-A970	ADAPTER, FLEX HOSE	1	
5	425-963-AA30	PAD, RESISTOR - EARLIER VERSION	1	F1
5A	425-963-AA31	RESISTOR - CURRENT VERSION	1	F2
5B	26 288 R1	BOLT, RESISTOR	1	F2
5C	425-963-AF30	BUSHING, RESISTOR	2	F2
5D	9413 992	NUT, RESISTOR	1	F2
6	425-963-A850	BOLT, #10-32 X 1/2 TORX TRUSS	2	F1
6A	425-963-AF40	SCREW, MOUNTING	4	F2
7	425-963-AA60	CLAMP, WIRING	2	
8	425-963-A790	BOLT, #10-32 X 1/2 FLANGED HEX	2	
9	147 579	WASHER, 3/16 FLAT	2	
10	425-963-AE70	HOSE, DUCT	1	
11	425-963-A750	CLIP, HOSE	3	
12	08034-20519	STRAP, NYLON TIE	1	
13	425-963-AD70	HARNESS, WIRING	1	F4
13	425-963-AD71	HARNESS, WIRING	1	F5
14	187 828	BOLT, #10-32 X 1/2 CAP SOCKET	5	

F1 - USED WITH Z-TYPE RESISTOR MOUNTING BRACKET, ITEM 3. THE RESISTOR AND ALL PARTS ARE REPLACED. ORDER ALL OF THE FOLLOWING PARTS:

3A	425-963-A691	BRACKET, RESISTOR MOUNTING - U TYPE	1	
5A	425-963-AA31	RESISTOR	1	
5B	26 288 R1	BOLT, RESISTOR	1	
5C	425-963-AF30	BUSHING, RESISTOR	2	
5D	9413 992	NUT, RESISTOR	1	
6A	425-963-AF40	SCREW, MOUNTING	4	
13	425-963-AD71	HARNESS, WIRING	1	

F2 - USED WITH U-TYPE RESISTOR MOUNTING BRACKET, ITEM 3A.

HEATER UNIT
FAN ASSEMBLY



L13EZ027

 HEATER UNIT
 FAN ASSEMBLY

Item	Part Number	Description	Qty.	Ref.
------	-------------	-------------	------	------

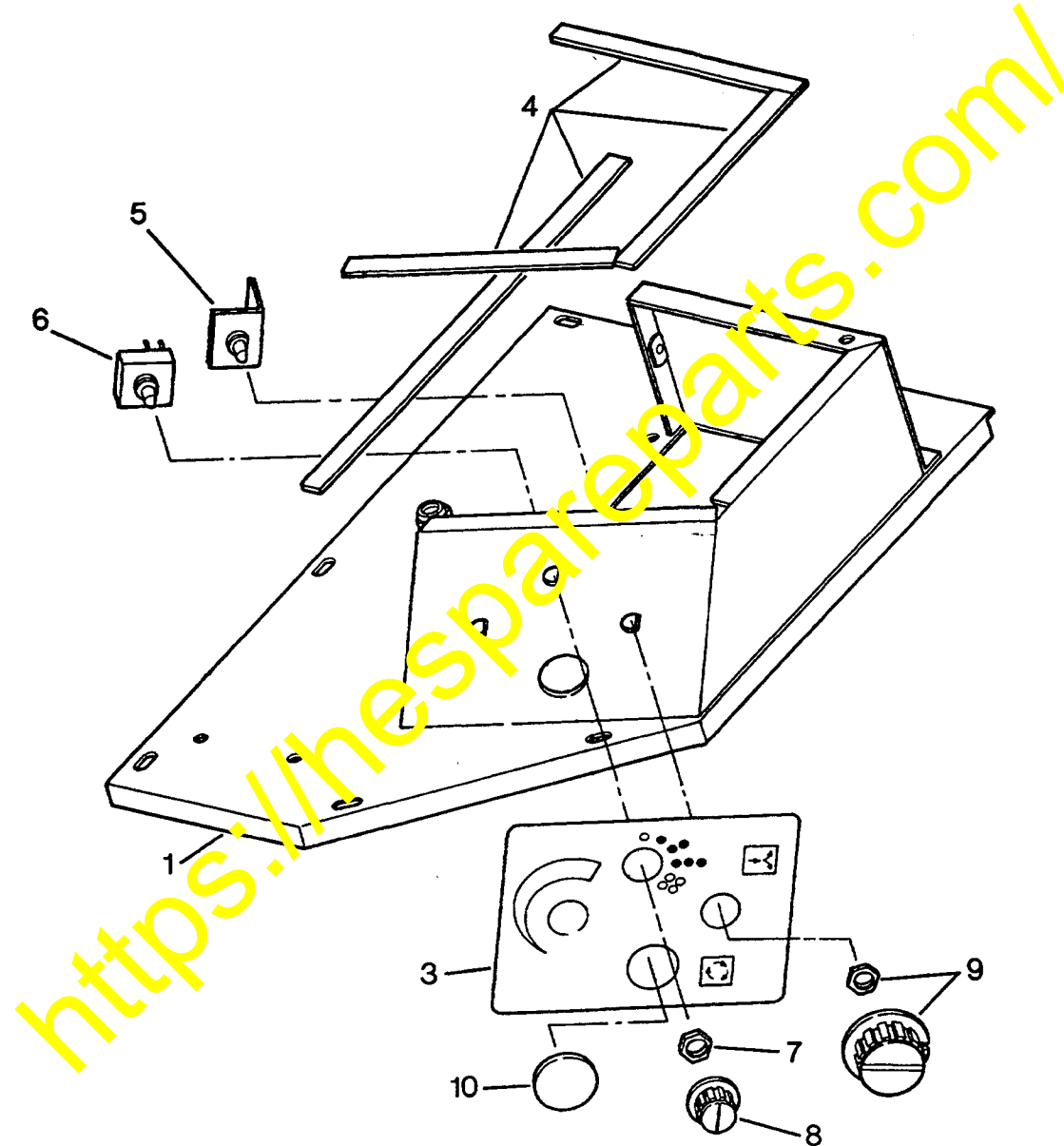
F3 - ORDER BLOWER ASSEMBLY, 425-963-AE31. WHEN REPLACING AN EARLIER VERSION BLOWER ASSEMBLY, HAVING Z-TYPE RESISTOR MOUNTING BRACKET, ITEM 3 AND RESISTOR, ITEM 5 WITH CURRENT VERSION BLOWER, ALSO ORDER ALL OF THE FOLLOWING PARTS:

3A	425-963-A691	BRACKET, RESISTOR MOUNTING - U TYPE	1	
5A	425-963-AA31	RESISTOR	1	
5B	26 288 R1	BOLT, RESISTOR	1	
5C	425-963-AF30	BUSHING, RESISTOR	2	
5D	9413 992	NUT, RESISTOR	1	
6A	425-963-AF40	SCREW, MOUNTING	4	
13	425-963-AD71	HARNESS, WIRING	1	

F4 - USED WITH EARLIER VERSION RESISTOR, ITEM 5 AND Z-TYPE RESISTOR MOUNTING BRACKET, ITEM 3. THE RESISTOR AND ALL PARTS ARE REPLACED. ORDER ALL OF THE ABOVE PARTS.

F5 - USED WITH CURRENT VERSION RESISTOR, ITEM 5A AND U-TYPE RESISTOR MOUNTING BRACKET, ITEM 3A.

HEATER UNIT
TOP COVER ASSEMBLY



L13EZ028

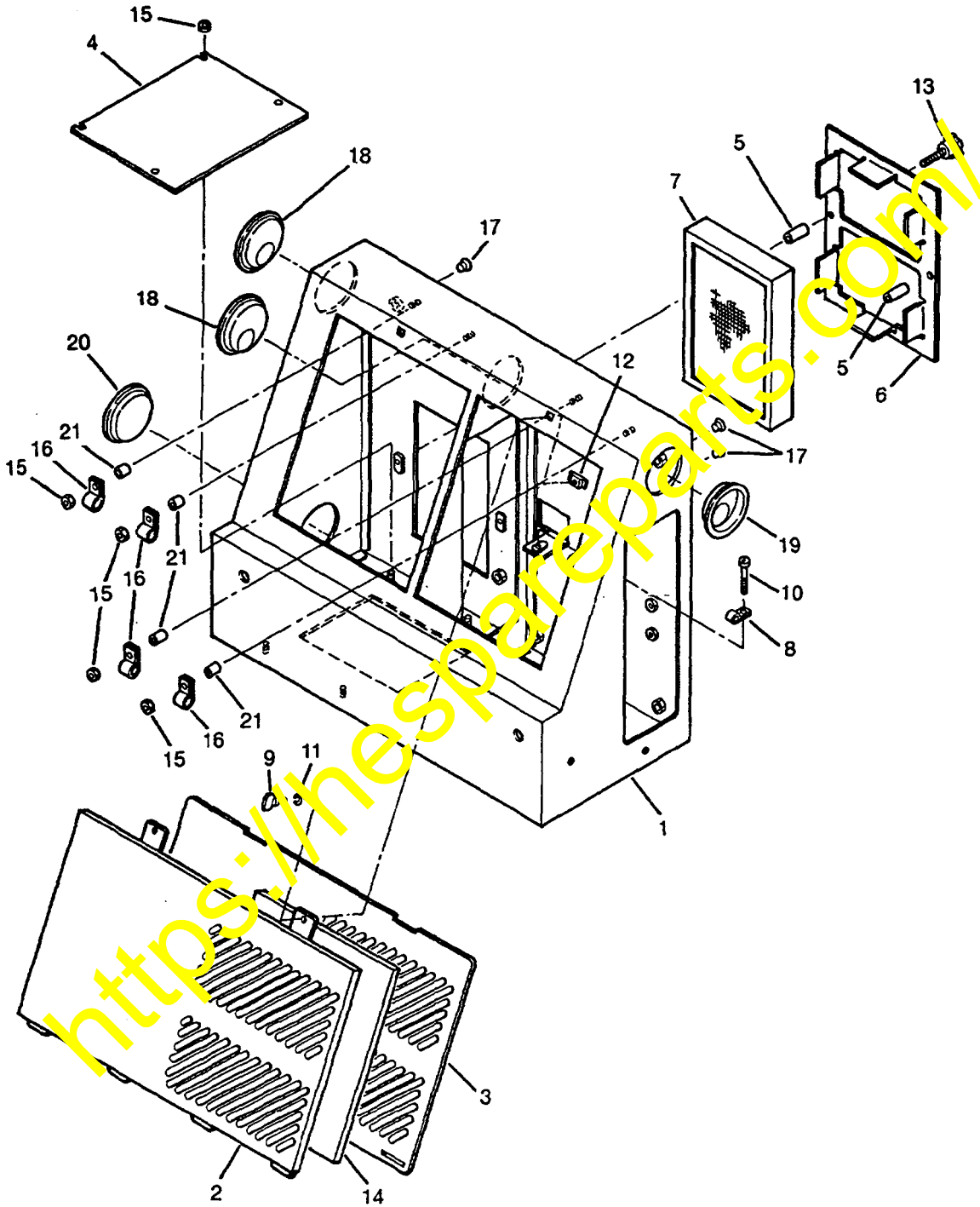
HEATER UNIT
TOP COVER ASSEMBLY

Item	Part Number	Description	Qty.	Ref.
1	425-963-A640	COVER, TOP WELDMNT	1	
2		NOT USED		
3	425-963-AC60	DECAL, SWITCH PANEL	1	
4		FOAM, COVER	4	F1
5	425-963-AD50	CABLE ASSEMBLY, RECIRCULATING AIR DOOR	1	
6	425-963-A950	SWITCH, FAN	1	
7	425-963-A930	NUT, JAM 7/16-28	1	
8	425-963-A810	KNOB, FAN CONTROL	1	
9	425-963-AE20	KNOB, RECIRCULATING AIR DOOR CONTROL	1	
10	425-963-A210	PLUG, HOLE	1	
	425-963-AE80	FOAM, BULK - 40 IN. LONG		AR

F1 - CUT FROM BULK FOAM 425-963-AE80
CUT TO FIT.

<https://hespareparts.com/>

FILTER BOX ASSEMBLY



L13EZ032

FILTER BOX ASSEMBLY

Item	Part Number	Description	Qty.	Ref.
	425-963-A030	FILTER BOX ASSEMBLY	1	
1	425-963-A670	.WELDMENT, FILTER BOX	1	
2	425-963-A660	.DOOR, OUTER RECIRCULATING FILTER	1	
3	425-963-A520	.DOOR, INNER RECIRCULATING FILTER	1	
4	425-963-A530	.PLATE, COVER	1	
5	425-963-A570	.SPACER, FILTER COVER	1	
6	425-963-A510	.COVER, FRESH AIR FILTER	1	
7	425-963-AC40	.FILTER, FRESH AIR	1	
8	425-963-AA50	.CLAMP, RECIRCULATING DOOR CABLE	1	
9	425-963-A880	.STUD, 1/4 AJW HD	2	
10	425-963-A840	.BOLT, #10-32 X 1 BUTTON HEAD	1	
11	425-963-A770	.RETAINER, SNAP	2	
12	425-963-A760	.RECEPTACLE, SQUARE	2	
13	423-963-A910	.KNOB, 1/4 MALE	2	
14	425-963-A610	.FILTER, RECIRCULATING AIR	1	
15	01580-10605	.NUT, M6 X 1 HEX	8	
16	425-963-A740	.CLAMP, WIRING	4	
17	425-963-A710	.PLUG, 13/32	3	
18	425-963-AE10	.PLUG, 3 IN	2	
19	425-963-AD90	.PLUG, 2 1/2 IN	1	
20	425-963-A780	.PLUG, 3 IN	1	
21	425-963-A920	.SPACER, 1/2 X 1/4 X 1/4	4	

MEMORANDA

<https://hespareparts.com/>