

PARTS & SERVICE NEWS

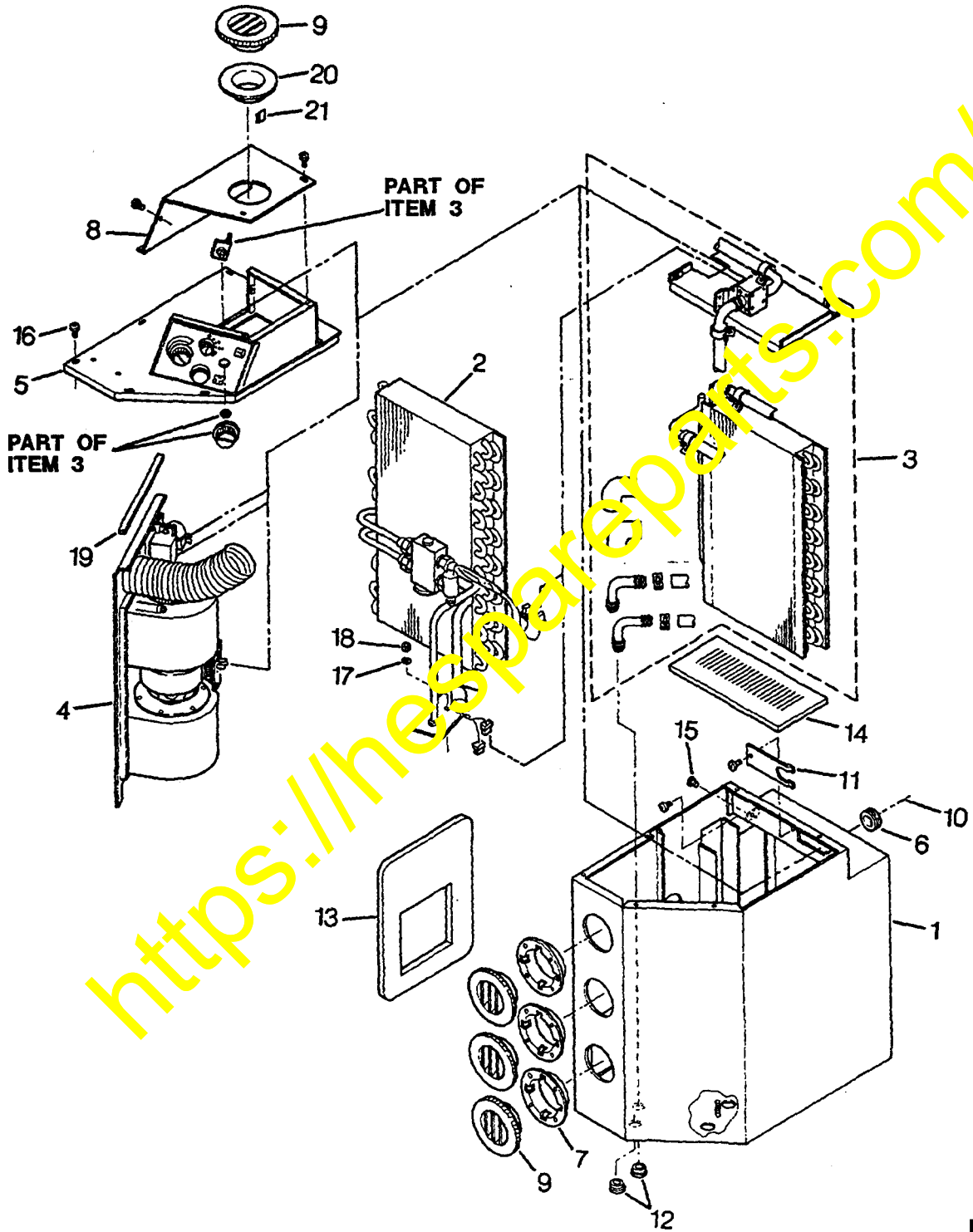
REF NO.	A955021
DATE	June 20, 1995

Page 1 of 18

- SUBJECT:** RELEASE SERVICE PARTS FOR EAGLE A/C UNIT
- PURPOSE:** To provide a service parts list for the Eagle A/C units on the below listed Wheel Loader.
- APPLICATION:** WA600-1LC Wheel Loaders With Serial Numbers A50010 and up.
- DESCRIPTION:** The component service parts for the Eagle A/C unit, part number 426-963-A030, and filter box assembly, part number 425-963-A030 are released for service.
- For the service part numbers of the A/C unit and filter box assembly component parts, refer to the subsequent pages of this PARTS AND SERVICE NEWS.

<https://hespareparts.com/>

HEATER AND AIR CONDITIONING UNIT

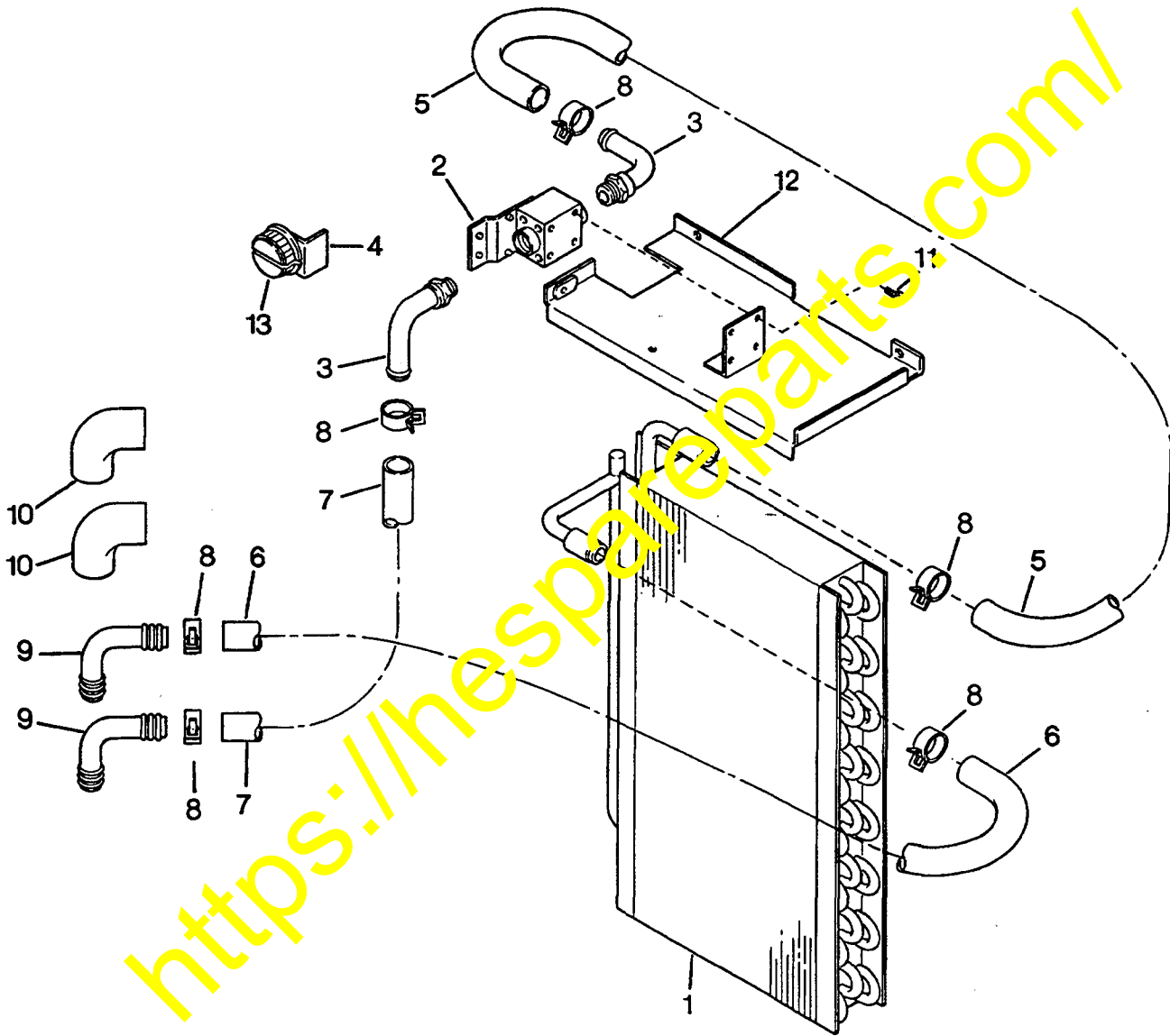


L13EZ029

HEATER AND AIR CONDITIONING UNIT

Item	Part Number	Description	Qty.	Ref.
	426-963-A030	UNIT ASSEMBLY, HEATER	1	
1	425-963-A620	.HOUSING, WELDMENT	1	
2		.COIL ASSEMBLY, EVAPORATOR (SEE PG 13)	1	
3		.COIL ASSEMBLY, HEATER (SEE PG 5)	1	
4		.FAN ASSEMBLY (SEE PG 7)	1	
5		.COVER ASSEMBLY (SEE PG 11)	1	
6	425-963-A980	.GROMMET, 1 IN.	1	
7	425-963-AB30	.MOUNT, VENT	3	
8	425-963-A540	.PLATE, TOP, SWITCH BOX	1	
9	425-963-AB20	.VENT ASSEMBLY	4	
10		.HARNES, WIRING (SEE PG 7)	1	
11	425-963-A560	.PLATE, COVER	1	
12	425-963-A990	.GROMMET, 7/8 IN.	2	
13	425-963-A590	.GASKET, FOAM	1	
14	425-963-A550	.SUPPORT, COIL	1	
15	425-963-A860	.BOLT, 1/4-20 X 1/2 TORX TRUSS	3	
16	425-963-A850	.BOLT, #10-32 X 1/2 TORX TRUSS	13	
17	120 380	.WASHER, 1/4 LOCKING	1	
18	01580-10605	.NUT, M6 X 1.0	1	
19	425-963-AE90	.FOAM, FAN ASSEMBLY 2 1/4 LONG	1	
20	425-963-AB10	.ADAPTER, HOSE 2 1/2	1	
21	425-963-A750	.CLIP, HOSE	3	

HEATER AND AIR CONDITIONING UNIT
HEATER COIL ASSEMBLY



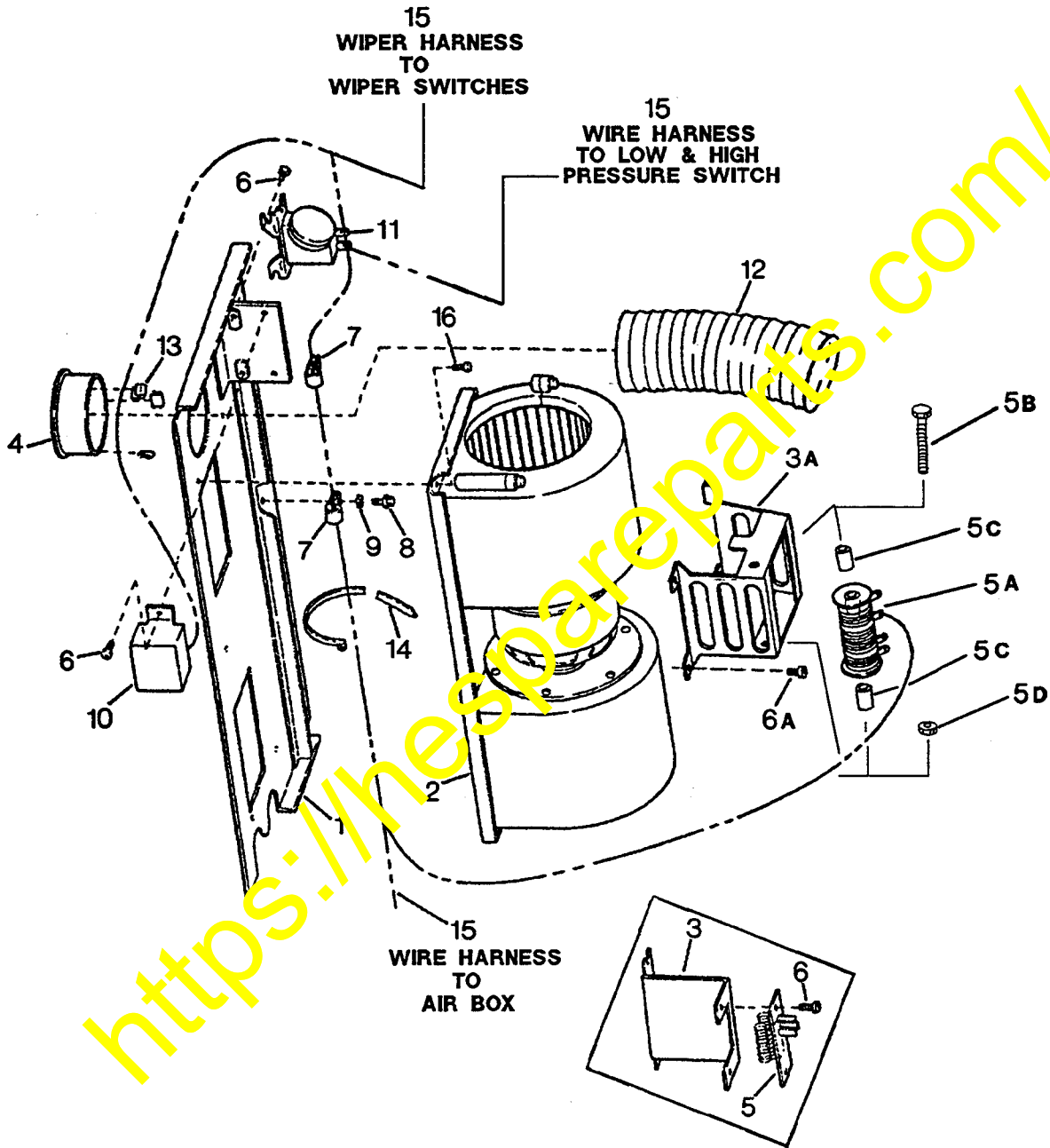
L13EZ026

**HEATER AND AIR CONDITIONING UNIT
HEATER COIL ASSEMBLY**

Item	Part Number	Description	Qty.	Ref.
1	425-963-AB90	COIL, HEATER	1	
2	425-963-AA40	VALVE, WATER	1	
3	425-963-AA80	FITTING, 90 DEGREE	2	
4	425-963-AD40	CABLE ASSEMBLY, WATER VALVE	1	
5	425-963-AE60	HOSE 5/8 ID, HTR COIL TO WATER VALVE - 4 IN. LONG	1	
6	425-963-AE50	HOSE 5/8 ID, FITTING TO HTR COIL - 15 1/2 IN. LONG	1	
7	425-963-AE40	HOSE 5/8 ID, WATER VALVE TO FITTING - 22 IN. LONG	1	
8	425-963-A870	CLAMP, HOSE	6	
9	425-963-AA20	FITTING, 90 DEGREE 5/8 SPLICER	2	
10		INSULATION, 3 IN. LONG	2	F1
11	425-963-A850	BOLT, 10-32 X 1/2 TORX TRUSS	4	
12	425-963-A680	COVER, COIL WELDMENT	1	
13	425-963-AE20	KNOB	1	
	425-963-AF20	INSULATION, BULK - 6 IN. LONG		AR

F1 - CUT FROM BULK INSULATION 425-963-AF20

HEATER AND AIR CONDITIONING UNIT
FAN ASSEMBLY



L13FD046

**HEATER AND AIR CONDITIONING UNIT
FAN ASSEMBLY**

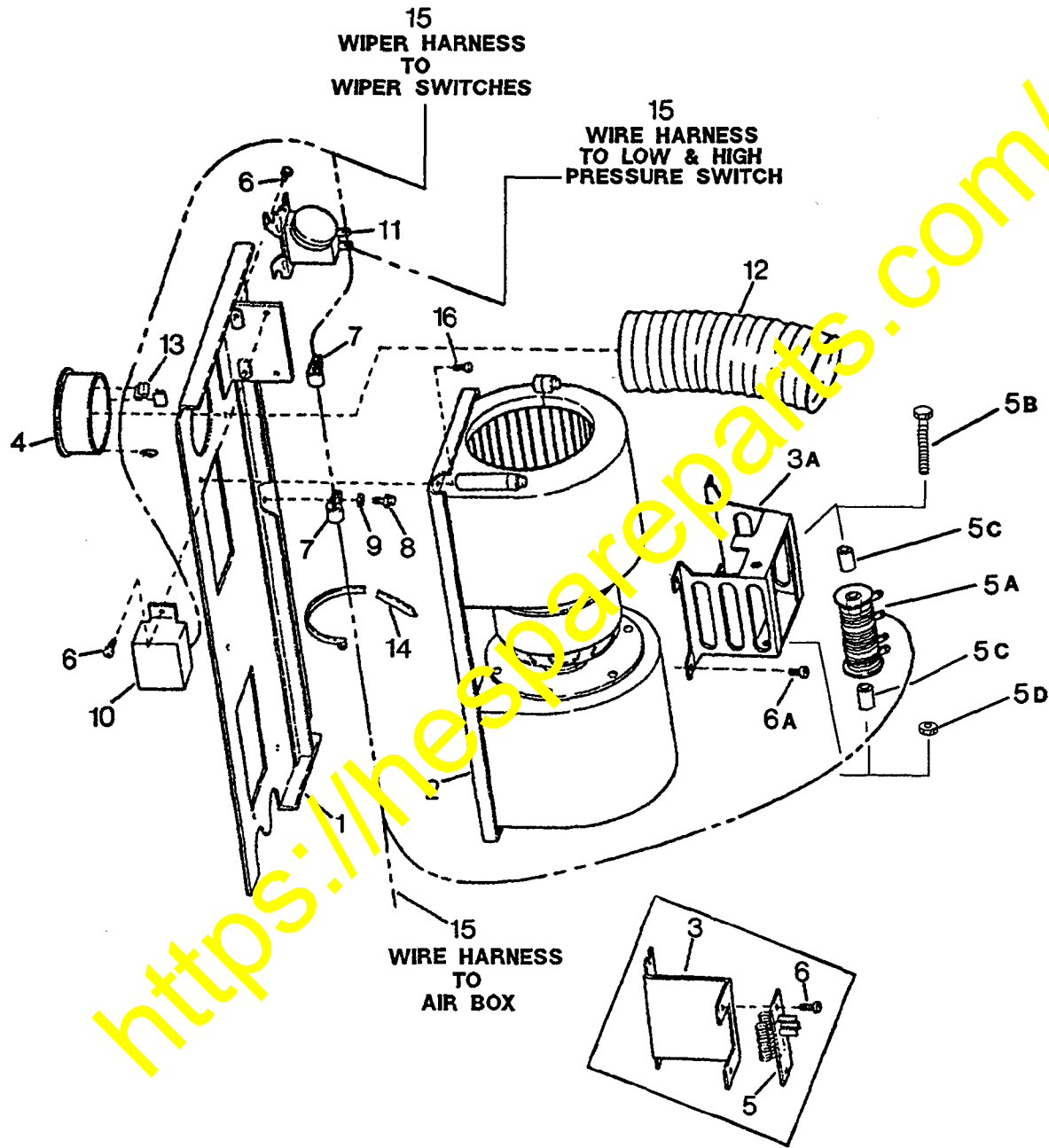
Item	Part Number	Description	Qty.	Ref.
1	425-963-A630	PLATE, FAN ASSEMBLY	1	
2	425-963-AE30	BLOWER ASSEMBLY - EARLIER VERSION	1	F3
2	425-963-AE31	BLOWER ASSEMBLY - CURRENT VERSION	1	F2
3	425-963-A690	BRACKET, RESISTOR MOUNTING -Z TYPE	1	F1
3A	425-963-A691	BRACKET, RESISTOR MOUNTING -U TYPE	1	F2
4	425-963-A970	ADAPTER, FLEX HOSE		
5	425-963-AA30	PAD, RESISTOR - EARLIER VERSION	1	F1
5A	425-963-AA31	RESISTOR - CURRENT VERSION	1	F2
5B	26 288 R1	BOLT, RESISTOR	1	F2
5C	425-963-AF30	BUSHING, RESISTOR	2	F2
5D	9413 992	NUT, RESISTOR	1	F2
6	425-963-A850	BOLT, #10-32 X 1/2 TORX TRUSS	2	F1
6A	425-963-AF40	SCREW, MOUNTING	4	F2
7	425-963-AA60	CLAMP, WIRING	2	
8	425-963-A790	BOLT, #10-32 X 1/2 FLANGED HEX	2	
9	147 579	WASHER, 3/16 FLAT	2	
10	425-963-AA90	RELAY	1	
11	425-963-AB50	THERMOSTAT	1	
12	425-963-AE70	HOSE, DUCT	1	
13	425-963-A750	CLIP, HOSE	3	
14	08034-20519	STRAP, NYLON TIE	1	
15	425-963-AD70	HARNESS, WIRING	1	F4
15	425-963-AD71	HARNESS, WIRING	1	F5
16	187 828	BOLT, #10-32 X 1/2 CAP SOCKET	5	

F1 - USED WITH Z-TYPE RESISTOR MOUNTING BRACKET, ITEM 3. THE RESISTOR AND ALL PARTS ARE REPLACED. ORDER ALL OF THE FOLLOWING PARTS:

3A	425-963-A691	BRACKET, RESISTOR MOUNTING - U TYPE	1	
5A	425-963-AA31	RESISTOR	1	
5B	26 288 R1	BOLT, RESISTOR	1	
5C	425-963-AF30	BUSHING, RESISTOR	2	
5D	9413 992	NUT, RESISTOR	1	
6A	425-963-AF40	SCREW, MOUNTING	4	
13	425-963-AD71	HARNESS, WIRING	1	

F2 - USED WITH U-TYPE RESISTOR MOUNTING BRACKET, ITEM 3A.

HEATER AND AIR CONDITIONING UNIT
FAN ASSEMBLY



<https://linespareparts.com/>

L13FD046

**HEATER AND AIR CONDITIONING UNIT
FAN ASSEMBLY**

Item	Part Number	Description	Qty. Ref.
------	-------------	-------------	-----------

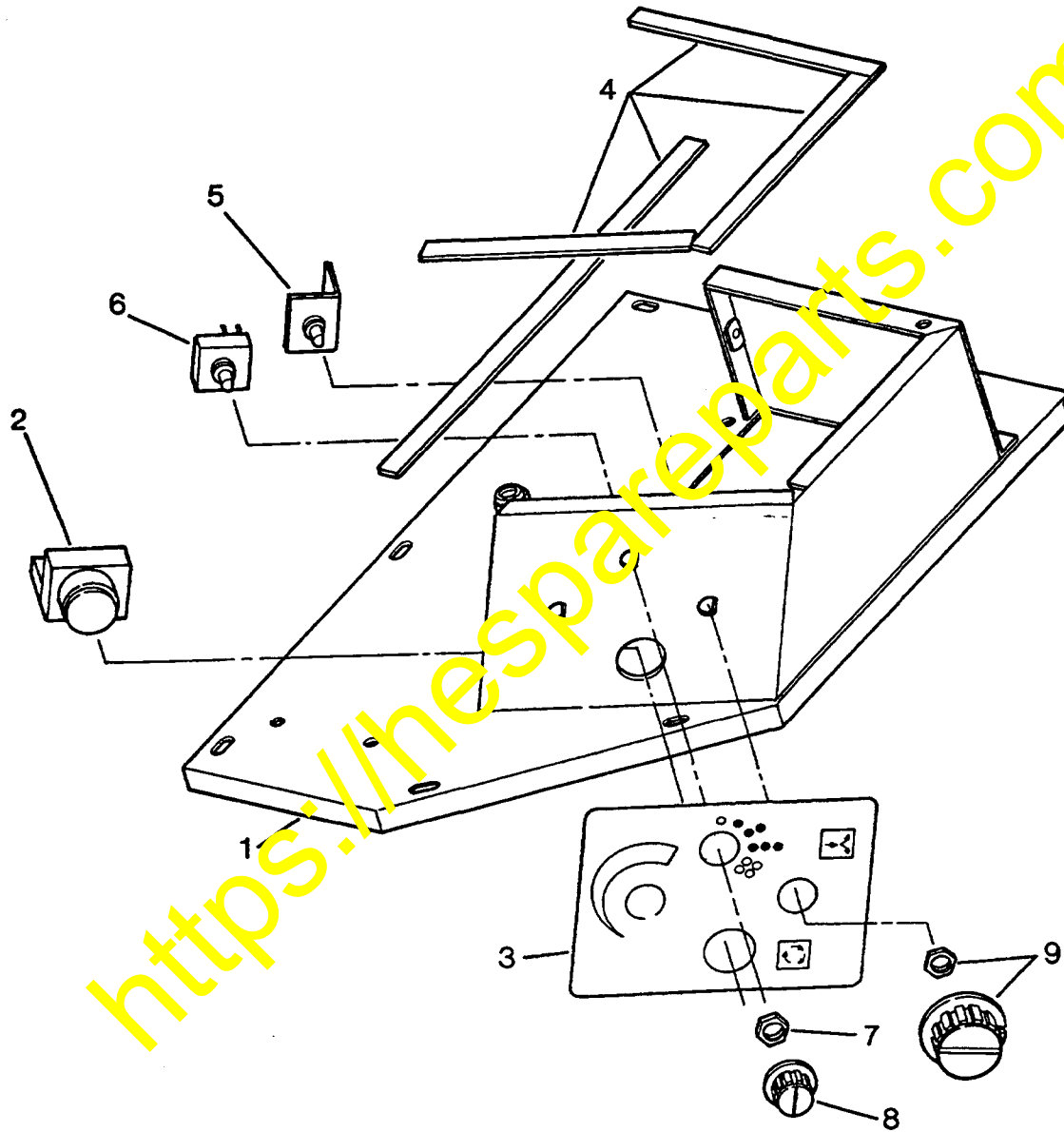
F3 - ORDER BLOWER ASSEMBLY, 425-963-AE31. WHEN REPLACING AN EARLIER VERSION BLOWER ASSEMBLY, HAVING Z-TYPE RESISTOR MOUNTING BRACKET, ITEM 3 AND RESISTOR, ITEM 5 WITH CURRENT VERSION BLOWER, ALSO ORDER ALL OF THE FOLLOWING PARTS:

3A	425-963-A691	BRACKET, RESISTOR MOUNTING - U TYPE	1
5A	425-963-AA31	RESISTOR	1
5B	26 288 R1	BOLT, RESISTOR	1
5C	425-963-AF30	BUSHING, RESISTOR	2
5D	9413 992	NUT, RESISTOR	1
6A	425-963-AF40	SCREW, MOUNTING	4
13	425-963-AD71	HARNESS, WIRING	1

F4 - USED WITH EARLIER VERSION RESISTOR, ITEM 5 AND Z-TYPE RESISTOR MOUNTING BRACKET, ITEM 3. THE RESISTOR AND ALL PARTS ARE REPLACED. ORDER ALL OF THE ABOVE PARTS.

F5 - USED WITH CURRENT VERSION RESISTOR, ITEM 5A AND U-TYPE RESISTOR MOUNTING BRACKET, ITEM 3A.

HEATER AND AIR CONDITIONING UNIT
TOP COVER ASSEMBLY



L13FD049

**HEATER AND AIR CONDITIONING UNIT
TOP COVER ASSEMBLY**

Item	Part Number	Description	Qty.	Ref.
1	425-963-A640	COVER, TOP WELDMENT	1	
2	425-963-AC70	SWITCH, A/C PUSH BUTTON - EARLY VERSION	1	F2,F3
2	425-963-AC71	SWITCH, A/C PUSH BUTTON - CURRENT VERSION	1	F2
	425-963-AF50	.LAMP, A/C PUSH BUTTON SWITCH	1	
3	425-963-AC60	DECAL, SWITCH PANEL	1	
4		FOAM, COVER	F1	
5	425-963-AD50	CABLE ASSEMBLY, RECIRCULATING AIR DOOR	1	
6	425-963-A950	SWITCH, FAN	1	
7	425-963-A930	NUT, JAM 7/16-28	1	
8	425-963-A810	KNOB, FAN CONTROL	1	
9	425-963-AE20	KNOB, RECIRCULATING AIR DOOR CONTROL	1	
	425-963-AE80	FOAM, BULK - 40 IN. LONG	AR	

F1 - CUT FROM BULK FOAM 425-963-AE80 CUT TO FIT.

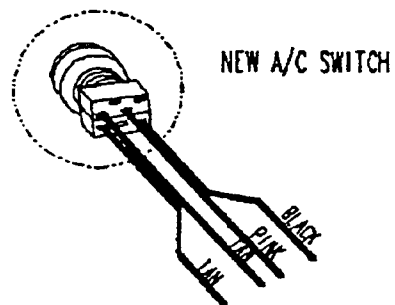
F2 - WHEN INSTALLING THE SWITCH ON A/C UNITS HAVING THE EARLY VERSION WIRE HARNESS (LISTED ON PAGE 7 OF 18), FOLLOW THESE INSTRUCTIONS TO MAKE THE CONNECTIONS. IF INSTALLING THE SWITCH ON UNITS HAVING THE CURRENT HARNESS, DISCARD WIRES AT THE BACK OF THE SWITCH AND MAKE A DIRECT CONNECTION.

F3 - ORDER SWITCH 425-963-AC71

A/C SWITCH INSTALLATION INSTRUCTIONS

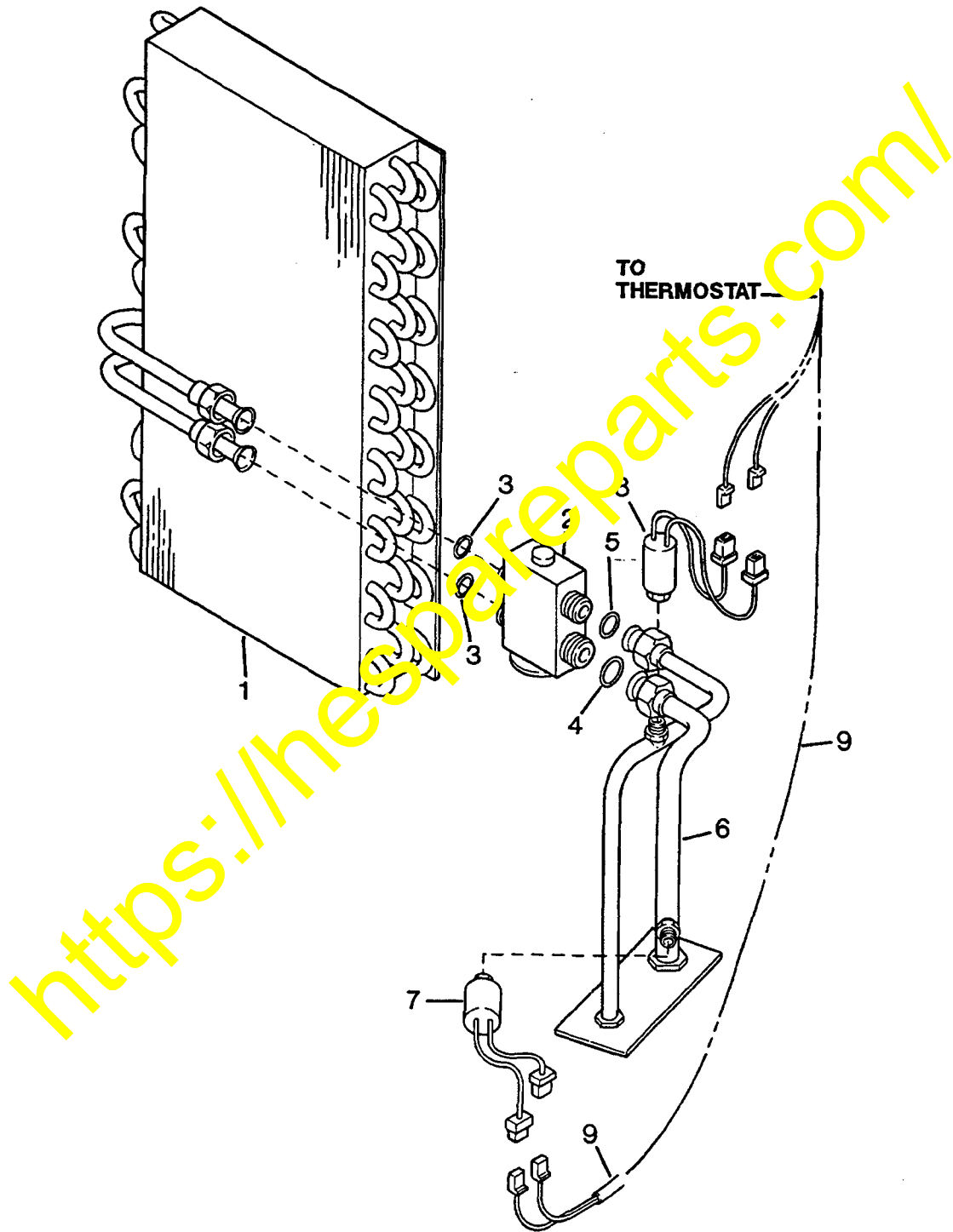
To install the new switch, first remove the old one by turning the back of the switch counter-clockwise. The back of the switch will drop off and the wire can then be cut from the switch. Press the front part of the switch through the top cover and insert through the hole. Secure the switch by tightening the nut on the back side. Connect the wires from the switch to the existing color coded wires with the supplied butt splices. See detail A for color sequence.

DETAIL A
SCALE 4X
ROTATION 90°



L13FD060

HEATER AND AIR CONDITIONING UNIT
EVAPORATOR COIL ASSEMBLY



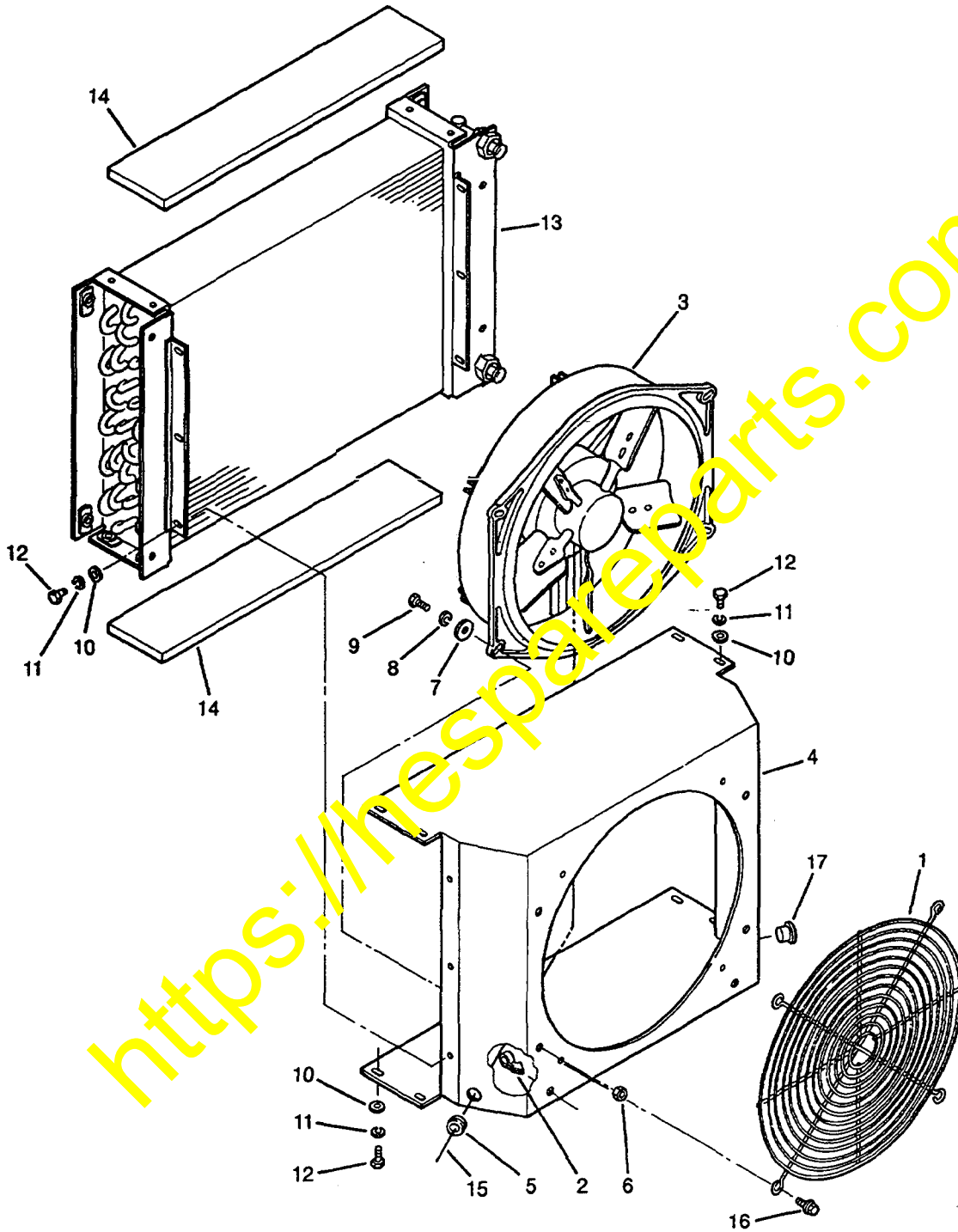
L13EZ030

HEATER AND AIR CONDITIONING UNIT
EVAPORATOR COIL ASSEMBLY

Item	Part Number	Description	Qty.	Ref.
1	425-963-AC10	COIL, EVAPORATOR	1	
2	425-963-AC20	VALVE, BLOCK	1	
3	425-963-AB60	O-RING, 13/32	2	
4	425-963-AB80	O-RING, 1/2	1	
5	425-963-AB70	O-RING, 5/16	1	
6	425-963-AC80	LINE, HARD AIR CONDITIONING	1	
7	425-963-A960	SWITCH, LOW PRESSURE	1	
8	425-963-A940	SWITCH, HIGH PRESSURE	1	
9	425-963-AD60	HARNESS, WIRING	1	

<https://hespareparts.com/>

AIR CONDITIONING CONDENSER



<https://thespareparts.com/>

L13FD045

AIR CONDITIONING CONDENSER

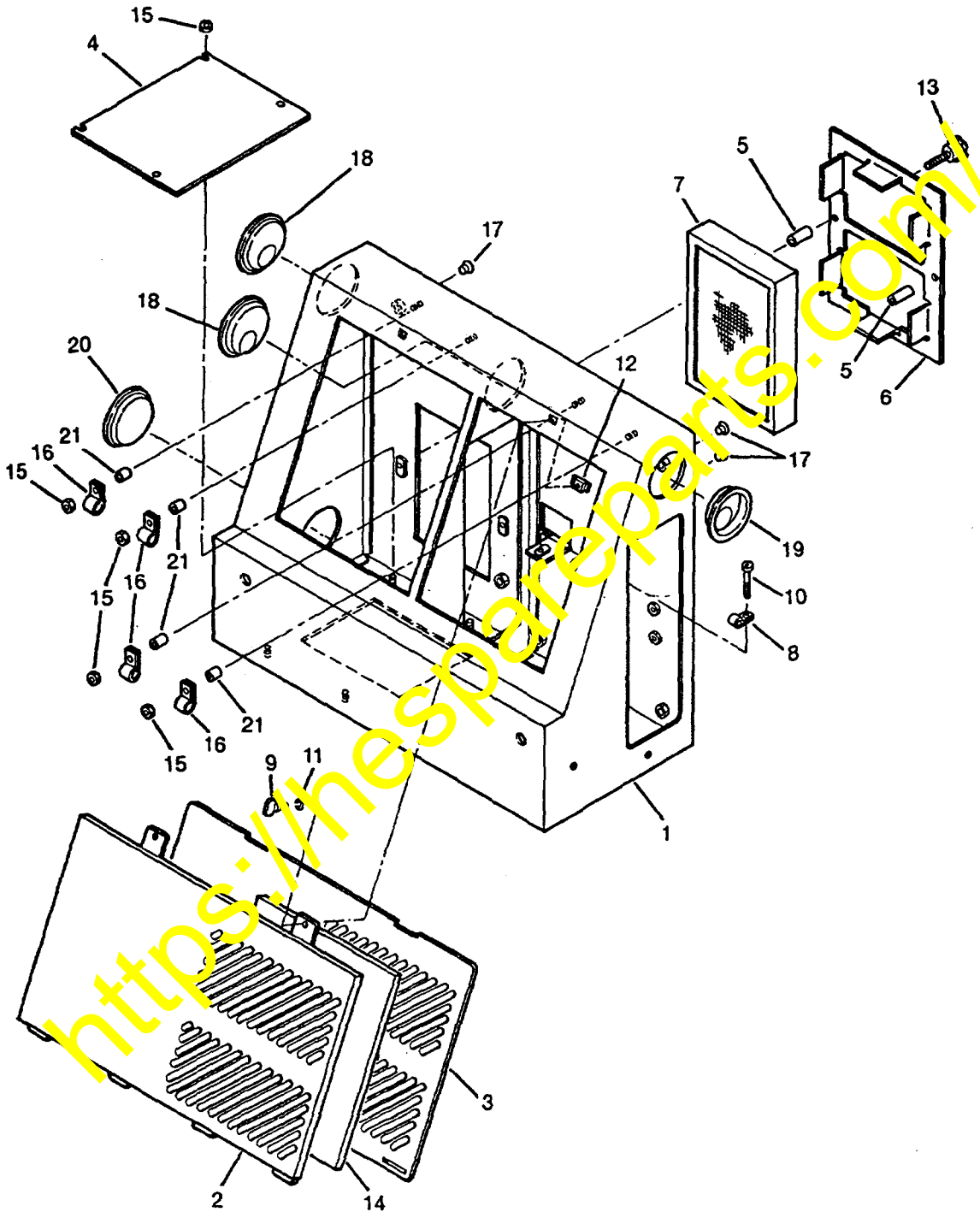
Item	Part Number	Description	Qty. Ref.
	425-963-A020	CONDENSER ASSEMBLY	1
1	425-963-AC50	.GUARD, FAN	1
2	425-963-A820	.ANCHOR, WIRE TIE	1
3	425-963-AD80	.FAN ASSEMBLY	1
4	425-963-A650	.HOUSING, CONDENSER WELDMENT	1
5	425-963-AB40	.GROMMET	
6	425-963-A830	.NUT, M8 X 1 1/4 ACORN	4
7	01643-50823	.WASHER, 8MM FLAT	4
8	01602-20825	.WASHER, 8MM LOCKING	4
9	01010-50820	.BOLT, M8 X 1 1/4 X 20 HEX	4
10	147 579	.WASHER, 3/16 FLAT	14
11	120 380	.WASHER, 1/4 LOCKING	14
12	01010-50610	.BOLT, M6 X 1 X 10 HEX	14
13	425-963-AC30	.COIL, CONDENSER	1
14	425-963-A580	.FOAM, COVER	2
15	425-963-AD20	.HARNESS, WIRING	1
16	425-963-A730	.BOLT, 1/4-20 X 3/4 FLANGE HEAD	4
17	425-963-A890	.PLUG, PLASTIC 9/16	1

13FDW

052395

A955021

FILTER BOX ASSEMBLY



L13EZ032

FILTER BOX ASSEMBLY

Item	Part Number	Description	Qty.	Ref.
	425-963-A030	FILTER BOX ASSEMBLY	1	
1	425-963-A670	.WELDMENT, FILTER BOX	1	
2	425-963-A660	.DOOR, OUTER RECIRCULATING FILTER	1	
3	425-963-A520	.DOOR, INNER RECIRCULATING FILTER	1	
4	425-963-A530	.PLATE, COVER	1	
5	425-963-A570	.SPACER, FILTER COVER	1	
6	425-963-A510	.COVER, FRESH AIR FILTER	1	
7	425-963-AC40	.FILTER, FRESH AIR	1	
8	425-963-AA50	.CLAMP, RECIRCULATING DOOR CABLE	1	
9	425-963-A880	.STUD, 1/4 AJW HD	2	
10	425-963-A840	.BOLT, #10-32 X 1 BUTTON HEAD	1	
11	425-963-A770	.RETAINER, SNAP	2	
12	425-963-A760	.RECEPTACLE, SQUARE	2	
13	423-963-A910	.KNOB, 1/4 MALE	2	
14	425-963-A610	.FILTER, RECIRCULATING AIR	1	
15	015-801-0605	.NUT, M6 X 1 HEX	8	
16	425-963-A740	.CLAMP, WIRING	4	
17	425-963-A710	.PLUG, 13/32	3	
18	425-963-AE10	.PLUG, 3 IN	2	
19	425-963-AD90	.PLUG, 2 1/2 IN	1	
20	425-963-A780	.PLUG, 3 IN	1	
21	425-963-A920	.SPACER, 1/2 X 1/4 X 1/4	4	

MEMORANDA

<https://hespareparts.com/>