

PARTS & SERVICE NEWS

REF NO.	A955024
DATE	JAN. 11, 1996

SUBJECT: EAGLE AIR CONDITIONING - ASSEMBLY, MOUNTING, AND PIPING.

PURPOSE: To provide service parts.

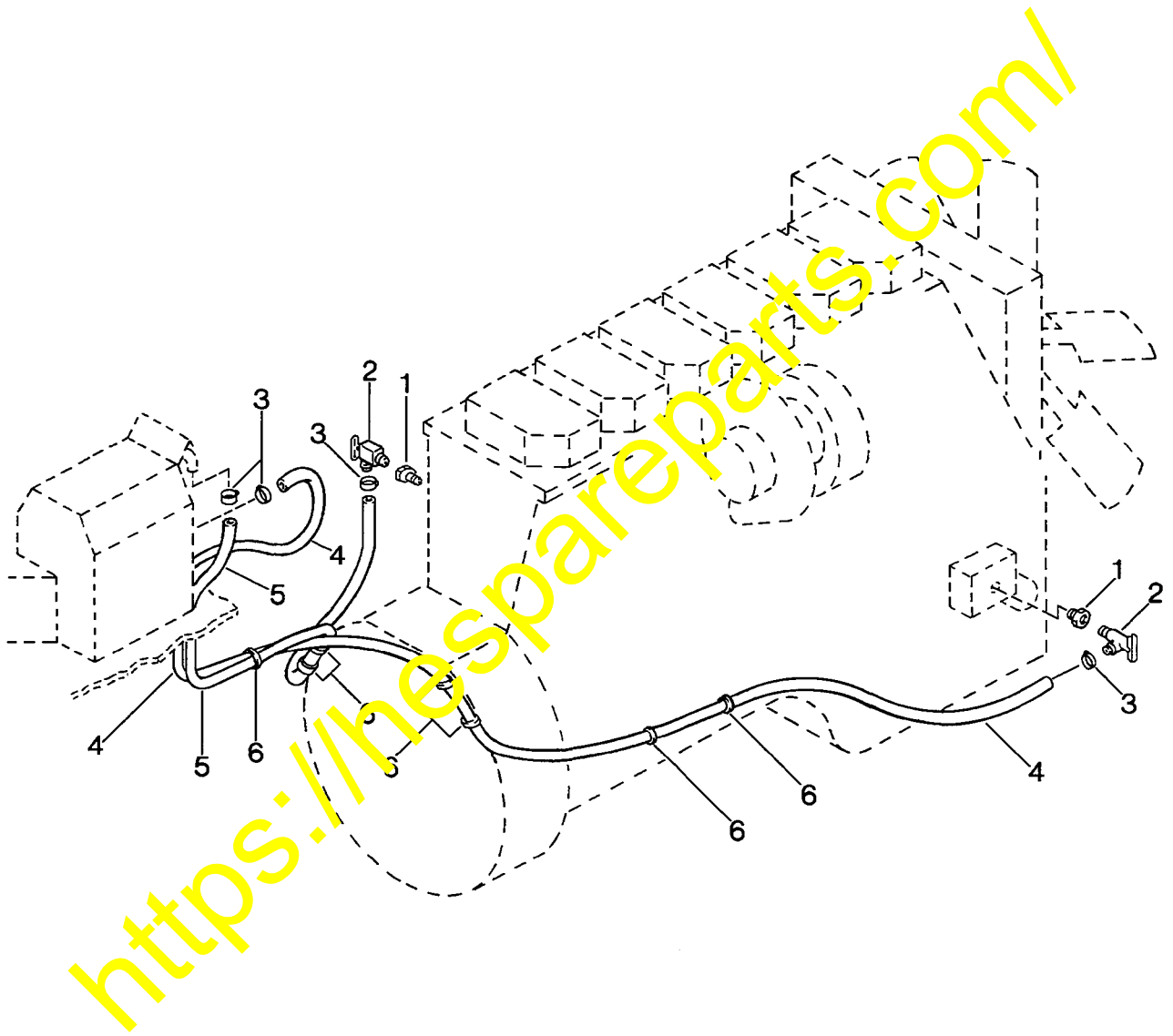
APPLICATION: WA120-1LC Wheel Loader - S/N A20236 and up.
WA180-1LC Wheel Loader - S/N A75654 and up.

DESCRIPTION: The component service parts for the Eagle Heater and Air Conditioning attachment, are released for service.

For service part numbers of the heater and air conditioning component parts, refer to the subsequent pages of this PARTS AND SERVICE NEWS.

<https://hespareparts.com/>

HEATER LINES



L13DZ013

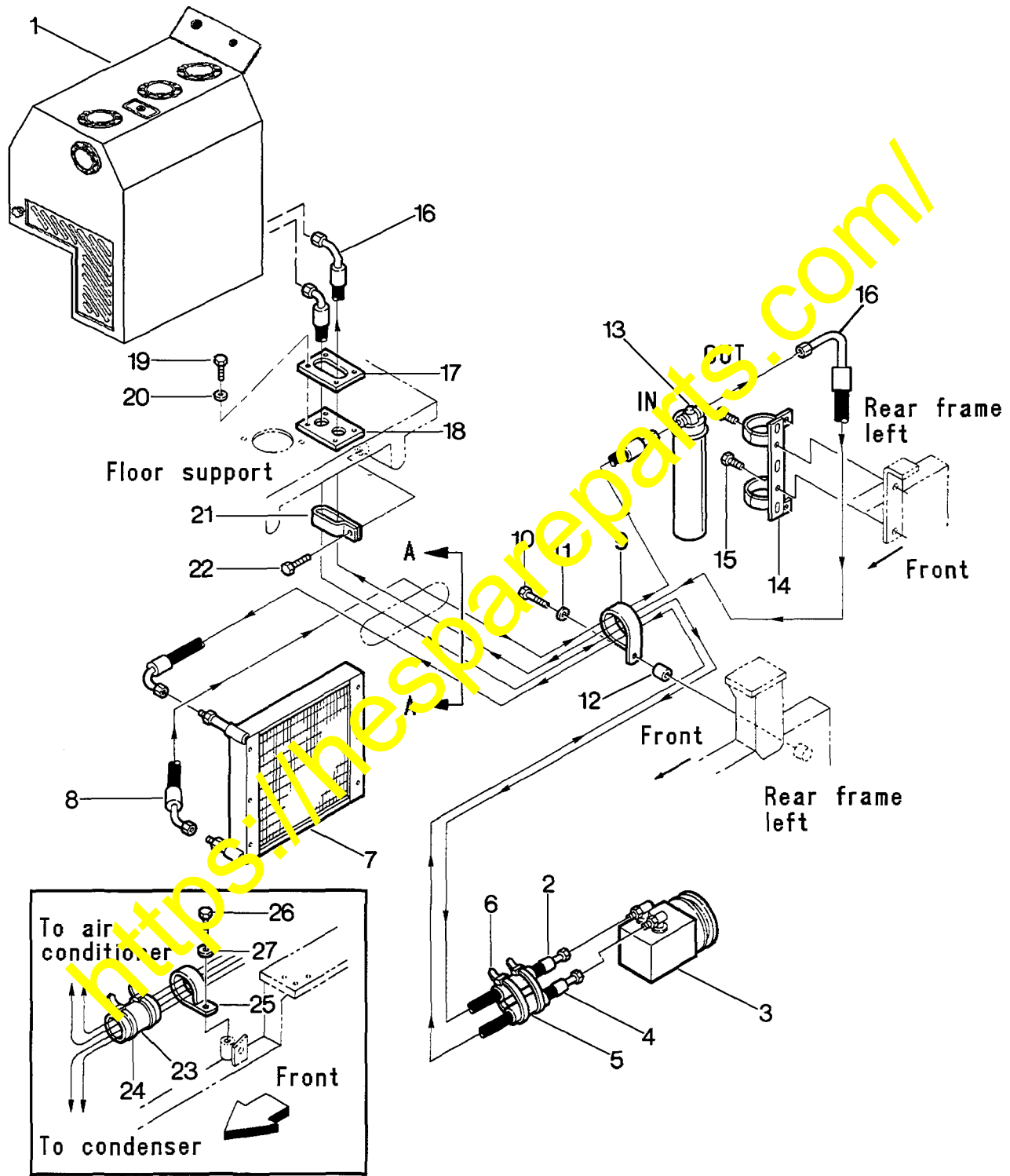
HEATER LINES

Item	Part Number	Description	Qty.	Ref.
1	444 034	BUSHING, REDUCER	2	
2	301 803 R91	VALVE, SHUT-OFF	2	
3	07281-00259	CLAMP, HEATER HOSE	4	
4		HOSE, INLET - CUT 90" LONG	1	F1
5		HOSE, OUTLET - CUT 50" LONG	1	F1
6	932 255 C1	STRAP, TIE	7	
N/I	364 359 C1	.HOSE, BULK HEATER		AR

F1 - CUT TO LENGTH FROM BULK HOSE 364 359 C1.

<https://hespareparts.com/>

AIR CONDITIONER PIPING
AIR CONDITIONER TO CONDENSER TO COMPRESSOR



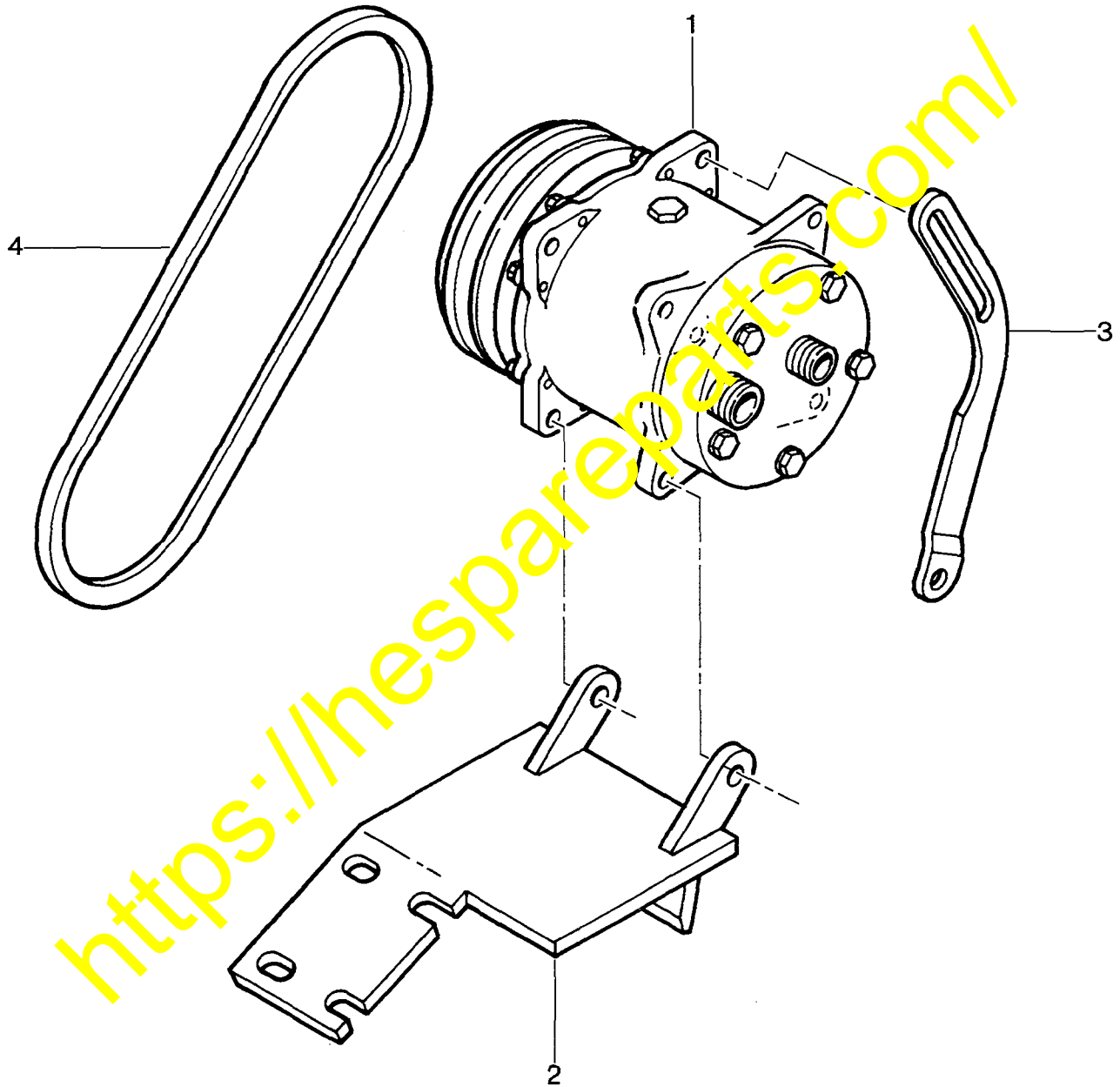
Detail "A" (Rear frame left)

L13ED029

AIR CONDITIONER PIPING
AIR CONDITIONER TO CONDENSER TO COMPRESSOR

Item	Part Number	Description	Qty.	Ref.
1		UNIT, HEATER & AIR CONDITIONER (SEE PAGE 11)	1	
2	416-963-A130	HOSE, AIR CONDITIONER TO COMPRESSOR	1	
3		COMPRESSOR, AIR CONDITIONER (SEE PAGE 7 OR PAGE 9)	1	
4	416-963-A140	HOSE, COMPRESSOR TO CONDENSER	1	
5	417-963-2860	PROTECTOR, HOSE	1	
6	08034-00536	STRAP, TIE	2	
7		CONDENSER ASSEMBLY (SEE PAGE 17)	1	
8	416-963-A160	HOSE, CONDENSER TO DRYER TANK ("IN" PORT)	1	
9	427-W93-1490	CLAMP, HOSE	1	
	935 522 C1	STRAP, TIE	4	
10	01010-51050	BOLT, CLAMP	1	
11	01643-31032	WASHER	1	
12	419-15-17541	SPACER	1	
N/I	416-963-A170	DRYER ASSEMBLY	1	
13	416-963-A180	.TANK, DRYER	1	
N/I	416-963-A210	.SWITCH, DRYER	1	
14	416-963-A190	.KIT, DRYER MOUNTING	1	
15	NSS	.BOLT, BRACKET	2	
16	416-963-A150	HOSE, DRYER TANK TO AIR CONDITIONER ("OUT PORT")	1	
17	417-963-2750	PLATE	1	
18	417-963-2760	PLATE	1	
19	01010-50820	BOLT, MOUNTING PLATES	4	
20	01643-30823	WASHER	4	
21	421-07-11550	CLAMP, HOSE	1	
22	01435-01016	BOLT, CLAMP	1	
23	427-62-11550	PROTECTOR, HOSE	1	
24	08034-00536	STRAP, TIE	2	
25	427-W93-1490	CLAMP, HOSE	1	
26	01010-51020	BOLT, CLAMP	1	
27	01643-31032	WASHER	1	

AIR CONDITIONER
COMPRESSOR AND MOUNTING (FOR WA120-1LC)



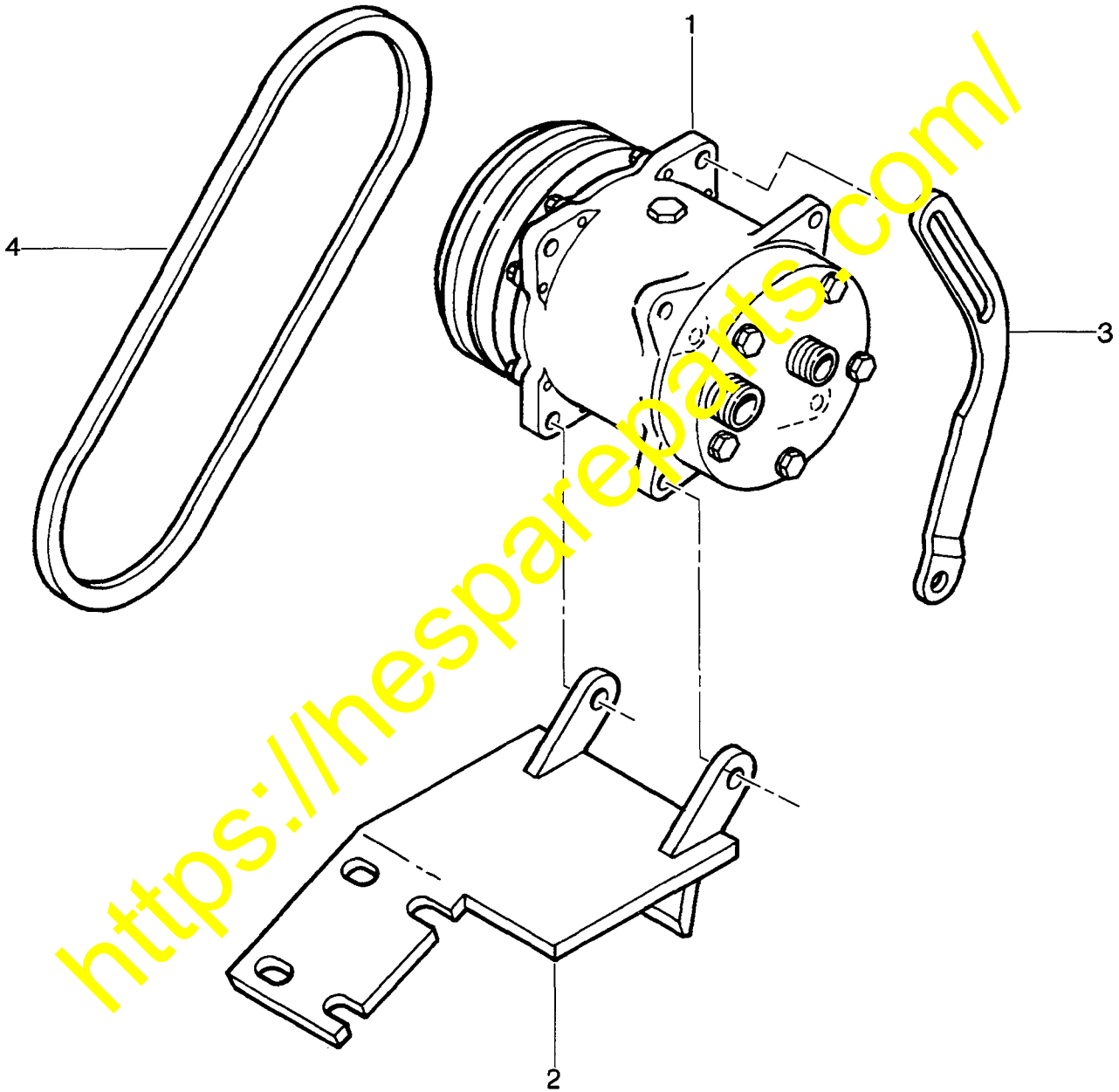
L13EH022

AIR CONDITIONER
COMPRESSOR AND MOUNTING (FOR WA120-1LC)

Item	Part Number	Description	Qty. Ref.
1	417-963-A290	COMPRESSOR ASSEMBLY, AIR CONDITIONER	1
	416-963-A030	KIT, COMPRESSOR MOUNTING	1
2	416-963-A090	.BRACKET, MOUNTING	1
3	416-963-A100	.BRACKET, BELT TENSIONER	1
	416-963-A120	.KIT, HARDWARE	1
	NSS	..BOLT, M10 X 1.5 X 35	5
	NSS	..NUT, M10 X 1.5	3
	NSS	..WASHER, 10MM - LOCK	6
	NSS	..BOLT, M10 X 1.5 X 50	1
	NSS	..SPACER	1
4	416-963-A220	BELT, COMPRESSOR DRIVE	1

<https://hespareparts.com/>

AIR CONDITIONER
COMPRESSOR AND MOUNTING (FOR WA180-1LC)



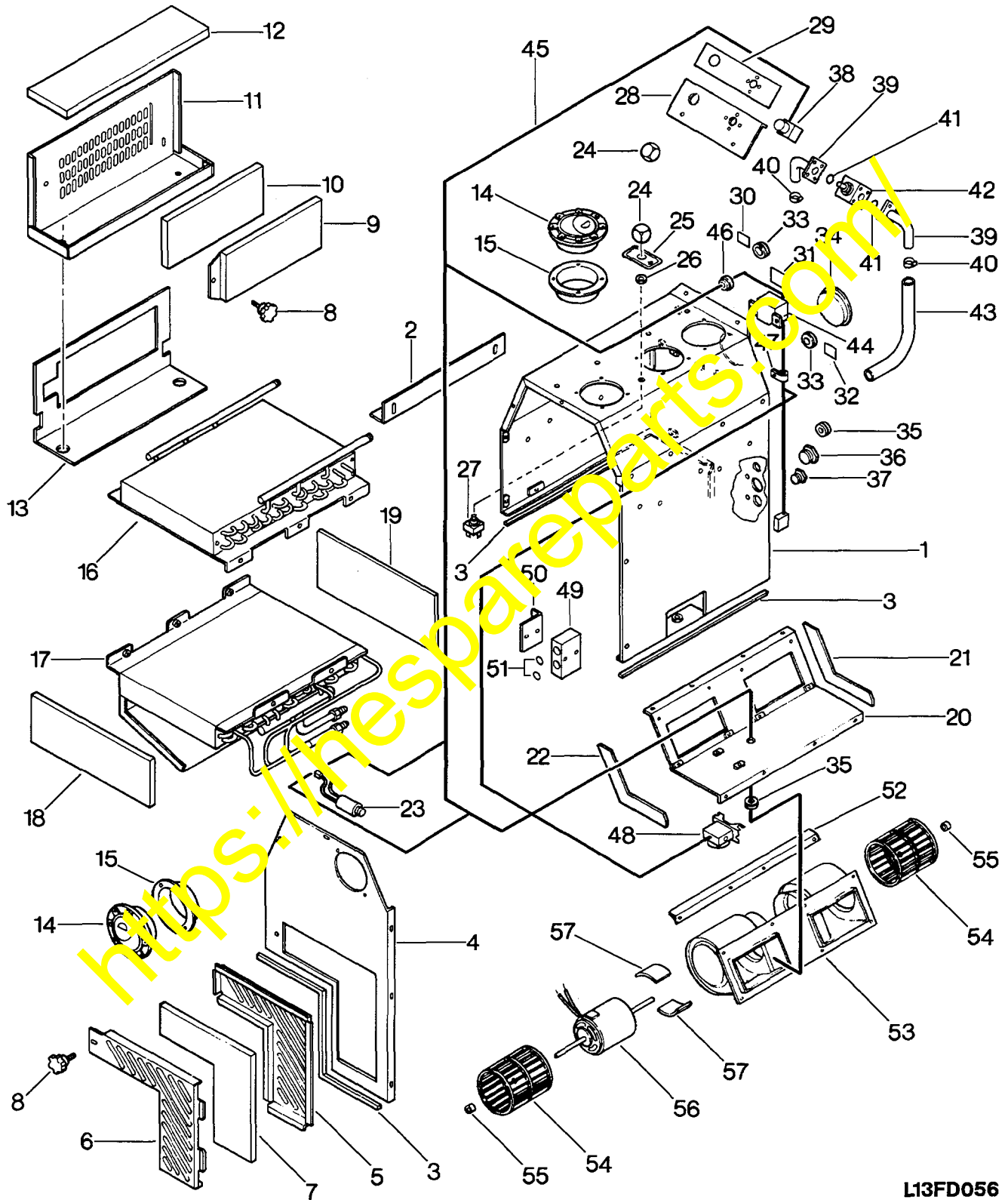
<https://hespareparts.com/>

L13EH022

**AIR CONDITIONER
COMPRESSOR AND MOUNTING (FOR WA180-1LC)**

Item	Part Number	Description	Qty.	Ref.
1	417-963-A290	COMPRESSOR ASSEMBLY, AIR CONDITIONER	1	
	417-963-A140	KIT, COMPRESSOR MOUNTING	1	
2	417-963-A170	.BRACKET, MOUNTING	1	
3	417-963-A190	.BRACKET, BELT TENSIONER	1	
	417-963-A180	.KIT, HARDWARE	1	
	NSS	..BOLT, M10 X 1.5 X 25	1	
	NSS	..BOLT, M10 X 1.5 X 35	6	
	NSS	..NUT, M10 X 1.5	2	
	NSS	..WASHER, 10MM - LOCK	8	
	NSS	..BOLT, 5/16NC X 1 1/2	1	
	NSS	..WASHER, 5/16 - FLAT	2	
	NSS	..WASHER, 5/16 - LOCK	1	
	NSS	..NUT, 5/16NC	1	
	NSS	..SLEEVE	1	
	NSS	..BOLT, M10 X 1.5 X 50	2	
	NSS	..SPACER	1	
4	417-963-A370	BELT, COMPRESSOR DRIVE	1	

AIR CONDITIONER
COMPLETE UNIT ASSEMBLY

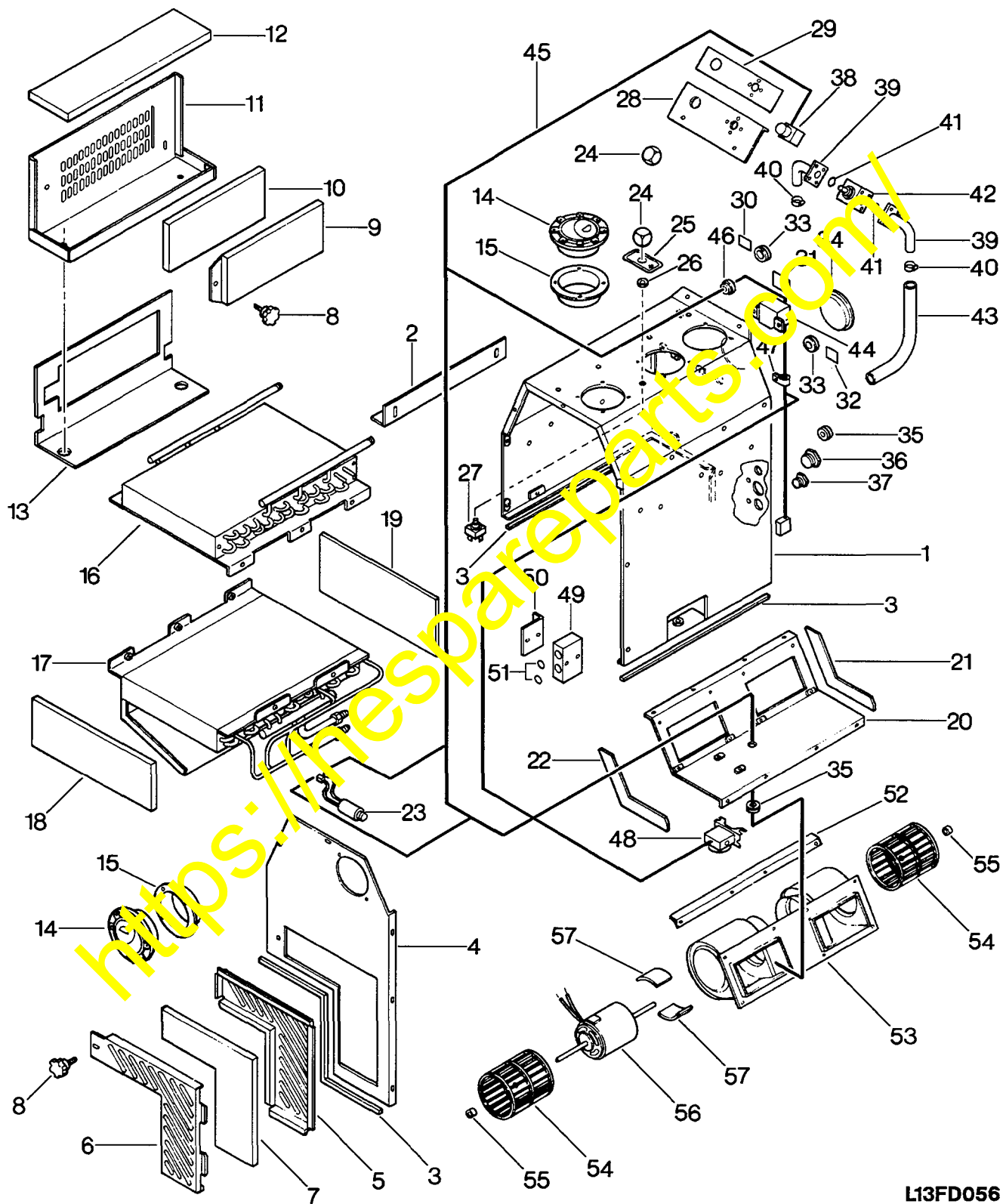


L13FD056

**AIR CONDITIONER
COMPLETE UNIT ASSEMBLY**

Item	Part Number	Description	Qty.	Ref.
	417-963-A280	UNIT, HEATER AND AIR CONDITIONER	1	
1	416-942-A830	.HOUSING, MAIN	1	
	418-T42-A470	.SCREW, 1/4-20 X 1/2 - TRUSS	12	
2	416-942-A860	.BRACKET, MOUNTING	1	
	416-942-A790	.SCREW, 5/16 X 1/2 - WHIZLOCK	2	
3	1434 987 H1	.FOAM, BALLOON SEAL (35")	1	
4	416-942-A840	.COVER	1	
	418-T42-A390	.SCREW, #10-32 X 1/2 - TORX	8	
5	416-942-A850	.BASE, FILTER	1	
6	416-942-A620	.COVER, FILTER	1	
7	416-942-A650	.FILTER, RECIRCULATE AIR - INSIDE	1	
8	416-942-A640	.KNOB, 1/4-20 X 3/4	2	
9	416-942-A480	.RETAINER, FILTER	1	
10	416-942-A320	.FILTER, RECIRCULATE AIR - OUTSIDE	1	
11	416-942-A820	.PAN, AIR INTAKE	1	
12	416-942-A440	.FOAM, DRAIN PAN	1	
13	416-942-A960	.FOAM, DRAIN PAN	1	
14	416-942-A280	.LOUVER, FLUSH MOUNT	4	
	NSS	.RIVET, 1/8" X 3/8" HEAD - POP	14	
15	416-942-A290	.PANEL, MOUNT	4	
16	416-942-A750	.COIL, HEATER	1	
17	416-963-A230	.COIL, AIR CONDITIONING	1	
18	416-942-A670	.FOAM, COIL - FRONT	1	
19	416-942-A660	.FOAM, COIL - REAR	1	
20	416-942-A870	.PLENUM	1	
	418-T42-A390	.SCREW, #10-32 X 1/2 - TORX	8	
21	416-942-A680	.FOAM, PLENUM - REAR	1	
22	416-942-A690	.FOAM, PLENUM - FRONT	1	
23	425-963-A960	.SWITCH, LOW PRESSURE	1	
24	416-942-A330	.KNOB, SWITCH W/CHROME RING	2	
25	416-942-A510	.DECAL, FAN	1	
26	425-963-A930	.NUT, JAM	1	
27	416-942-A350	.SWITCH, FAN	1	
28	416-963-A250	.PLATE, HEATER AND A/C CONTROLS	1	
	418-T42-A390	.SCREW, #10-32 X 1/2 - TORX	2	

AIR CONDITIONER
COMPLETE UNIT ASSEMBLY

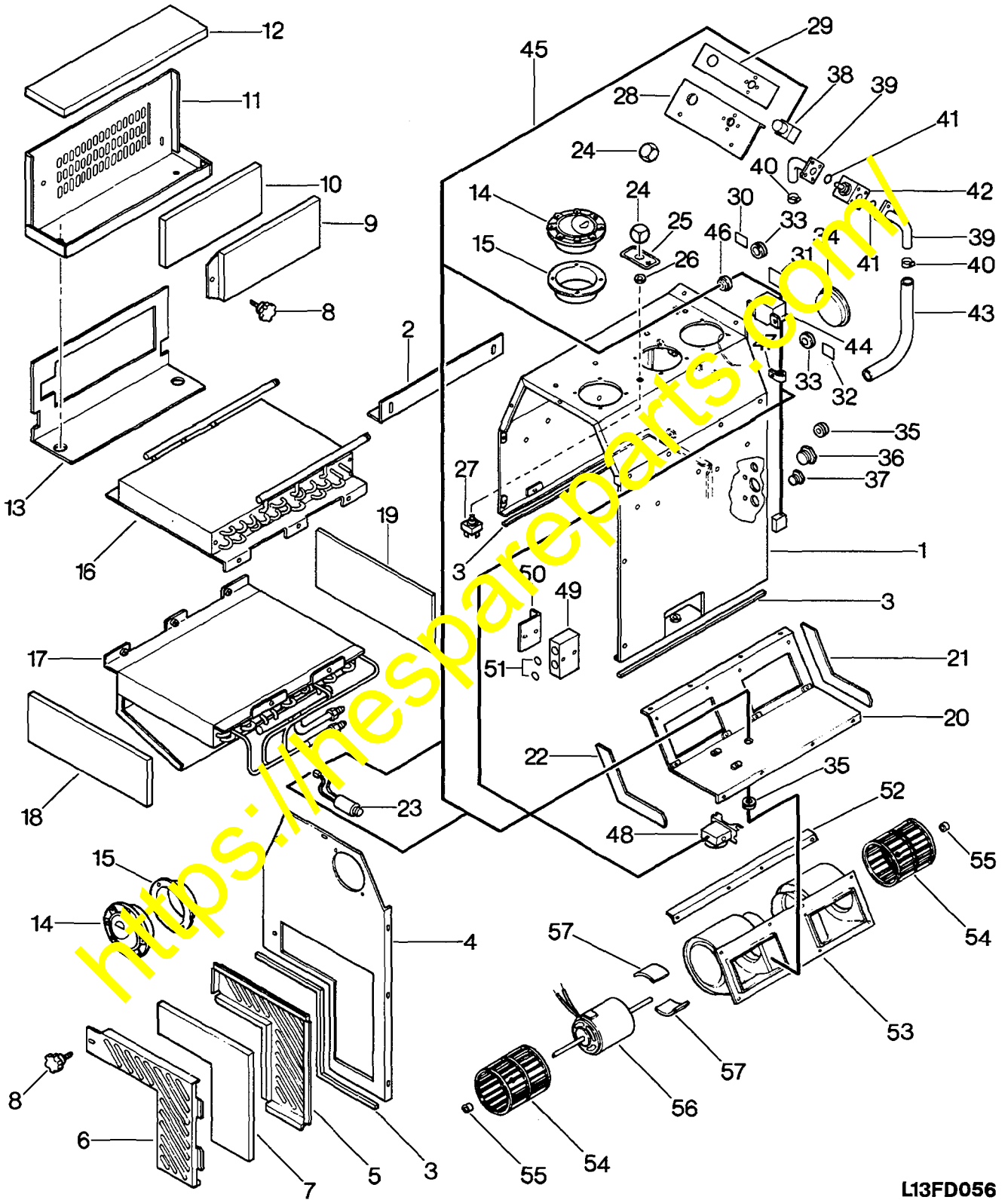


L13FD056

AIR CONDITIONER
COMPLETE UNIT ASSEMBLY

Item	Part Number	Description	Qty.	Ref.
29	416-942-A760	.DECAL, HEATER AND A/C CONTROLS	1	
30	1300 162 H1	.DECAL, WATER - OUT	1	
31	1300 160 H1	.DECAL, 24 VOLT	1	
32	1300 159 H1	.DECAL, WATER - IN	1	
33	425-963-A990	.GROMMET, 7/8"	2	
34	416-942-A780	.PLUG, 2 1/2"	1	
35	1300 213 H1	.GROMMET, 9/16"	2	
36	416-942-A450	.PLUG	1	
37	416-942-A940	.PLUG	1	
38	425-963-AC71	.SWITCH, PUSH-BUTTON	1	
	1431 252 H1	.SCREW, #8 X 5/16	4	
39	1431 246 H1	.FITTING, 90°	2	
	9419 926	.SCREW, #8 X 7/16	8	
40	122 316 R91	.CLAMP, HOSE	2	
41	1300 184 H1	.O-RING, 5/8 ID	2	
42	1300 179 H1	.VALVE	1	
43	416-942-A770	.HOSE (RW) - 5/8 ID	1	
44	425-963-AA90	.RELAY	1	
	418-T42-A390	.SCREW, #10-32 X 1/2 - TORX	2	
45	416-963-A260	.HARNES, WTRING	1	
46	NSS	.GROMMET	1	
47	425-963-AA60	.CLAMP, #8 - HARNES	1	
48	425-963-AB50	.SWITCH, A/C - 21"	1	
	418-T42-A390	.SCREW, #10-32 X 1/2 - TORX	2	
49	416-963-A270	.VALVE, BLOCK	1	
	416-942-A380	.SCREW, 1/4-20 X 2 - TORX	2	
	416-942-7980	.WASHER, 1/4 - LOCK	2	
	416-942-A420	.NUT, 1/4-20 - WHIZLOCK	2	
50	416-963-A240	.BRACKET, BLOCK VALVE	1	
51	1300 673 H1	.O-RING, 13/32"	2	
52	416-942-A880	.CLAMP, BLOWER	1	
	418-T42-A390	.SCREW, #10-32 X 1/2 - TORX	4	
53	416-942-A990	.HOUSING, TOP AND BOTTOM - BLOWER MOTOR	1	
	418-T42-A390	.SCREW, #10-32 X 1/2 - TORX	4	
	416-942-A430	.SCREW, #8 X 5/8	4	

AIR CONDITIONER
COMPLETE UNIT ASSEMBLY



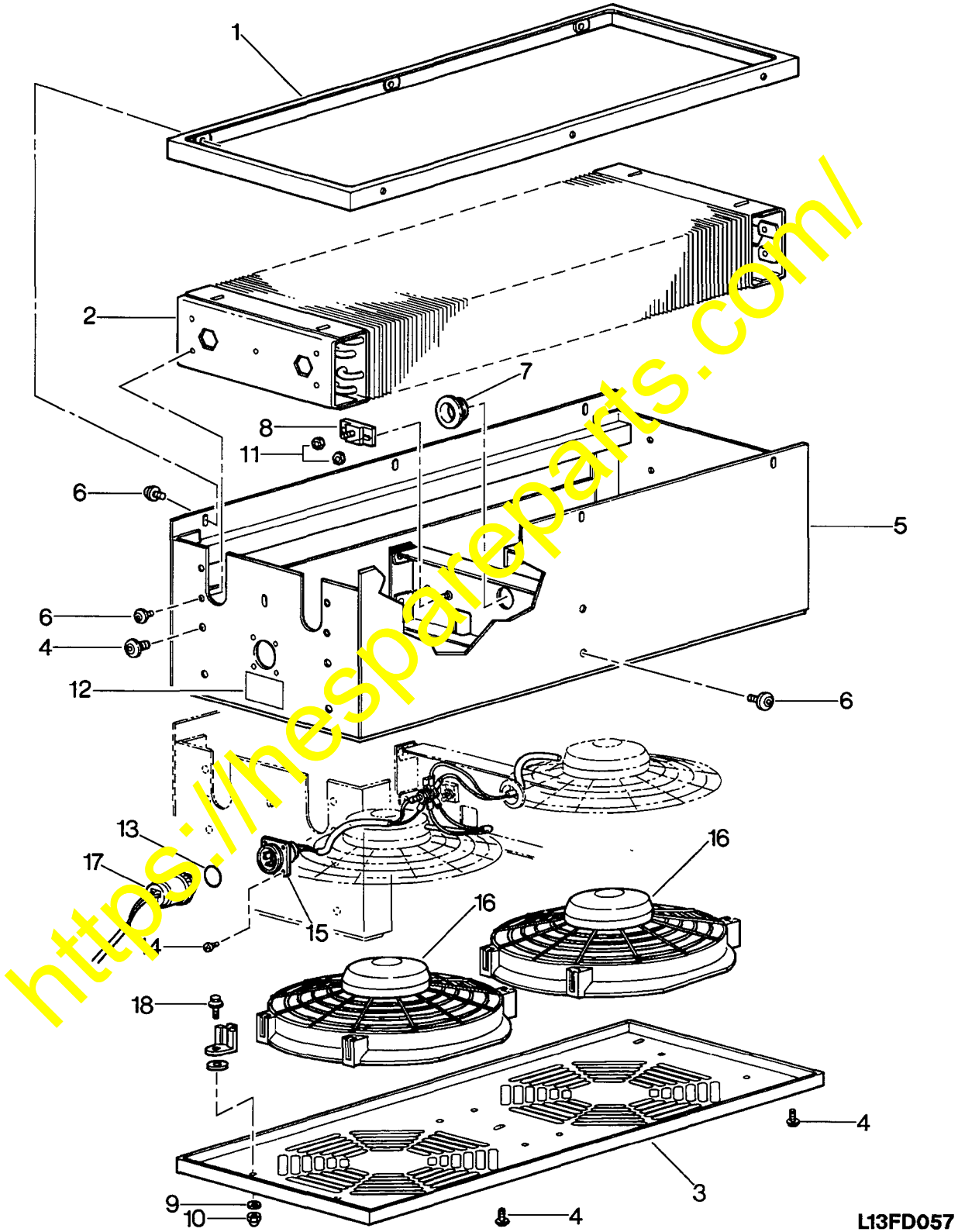
L13FD056

AIR CONDITIONER
COMPLETE UNIT ASSEMBLY

Item	Part Number	Description	Qty.	Ref.
54	416-942-A250	.WHEEL, IMPELLER - BLOWER MOTOR	2	
55	416-942-A260	.CLAMP, IMPELLER	2	
56	416-942-A720	.MOTOR, BLOWER	1	
57	416-942-A740	.GASKET, MOTOR	2	

<https://hespareparts.com/>

AIR CONDITIONER
CONDENSER ASSEMBLY

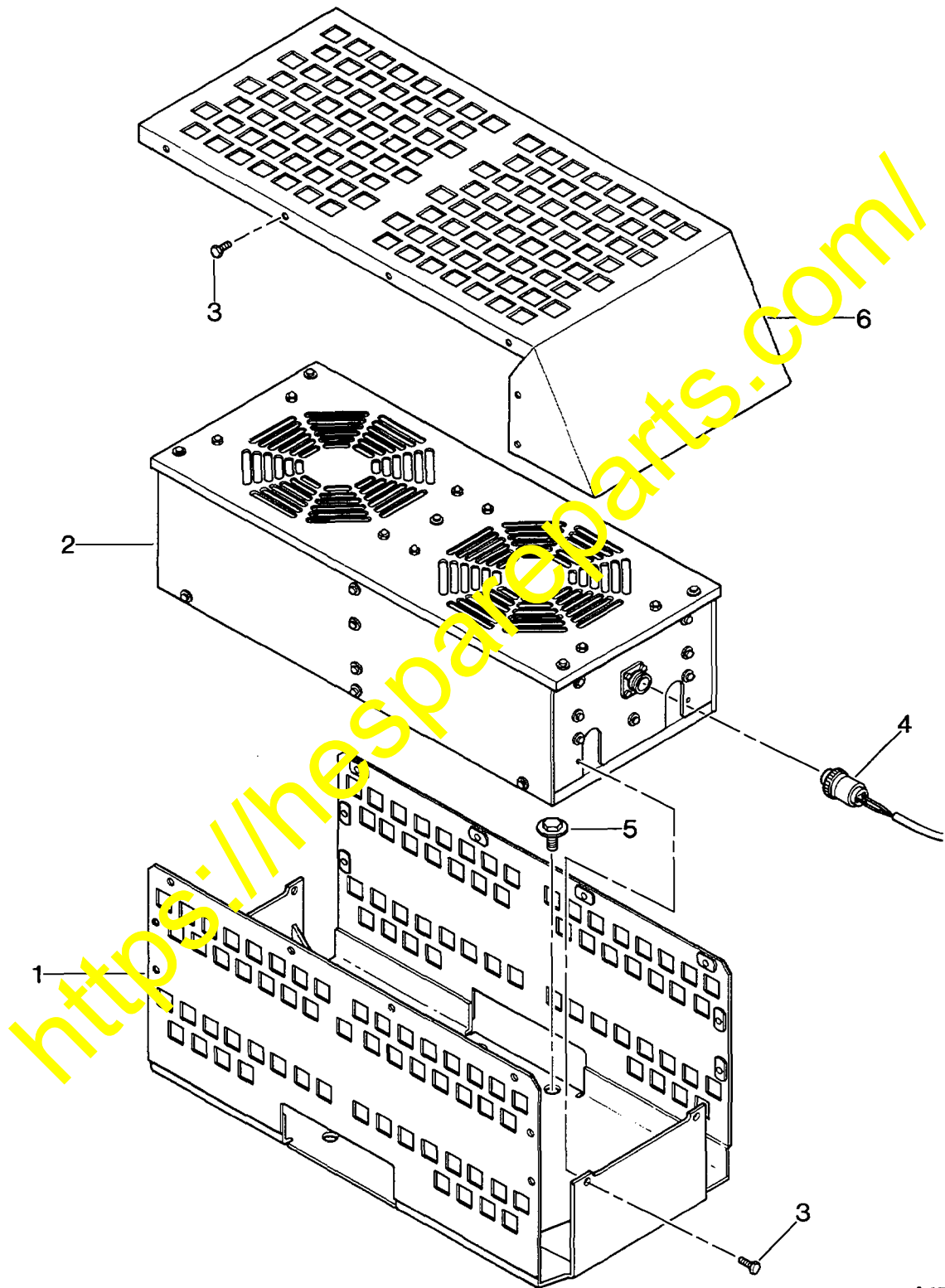


L13FD057

AIR CONDITIONER
CONDENSER ASSEMBLY

Item	Part Number	Description	Qty.	Ref.
	417-963-A340	CONDENSER ASSEMBLY	1	
1	416-963-A300	.SCREEN	1	
2	416-963-A310	.COIL ASSEMBLY	1	
3	416-963-A410	.TOP	1	
4	416-963-A320	.SCREW, 5/16 X 1/2 - TRUSS TORX	18	
5	416-963-A330	.HOUSING	1	
6	418-T42-A470	.SCREW, 1/4-20 X 1/2 - TORX / WHIZLOCK	17	
7	425-963-A990	.GROMMET, RUBBER - 7/8	1	
8	416-963-A340	.BLOCK, TERMINAL STUD - #10-32	1	
9	174 916	.WASHER, 1/4 - LOCK (TOOTH)	8	
10	131 420	.NUT, 1/4-20 - ACORN	8	
11	416-942-A150	.NUT, #10-32 - KEP	3	
12	1300 160 H1	.DECAL, 24 VOLT	1	
13	416-963-A360	.SEAL	1	
14	416-963-A370	.SCREW, #6-32 X 1/2 - SLOTTED	4	
15	416-963-A380	.HARNESS, INTERNAL	1	
16	416-963-A390	.FAN, 9" PUSHER - 10 BLADE - 24 VOLT	2	
17		HARNESS, EXTERNAL (SEE PG 19)	1	
18	425-963-A730	SCREW, 1/4-20 X 3/4 - WHIZLOCK	8	

AIR CONDITIONER
CONDENSER AND MOUNTING



L13FD058

AIR CONDITIONER
CONDENSER AND MOUNTING

Item	Part Number	Description	Qty.	Ref.
	417-963-A260	KIT, CONDENSER MOUNTING	1	
1	417-963-A350	.BRACKET, CONDENSER	1	
2		.CONDENSER ASSEMBLY (SEE PAGE 17)	1	
3	NSS	.BOLT, 5/16 - 18 X 3/4 - WHIZLOCK	4	
4	417-963-A330	.HARNESS, EXTERNAL - JUMPER	1	
5	NSS	.BOLT, 3/4 X 1 1/2	6	
6	417-963-A360	.COVER, CONDENSER	1	

<https://hespareparts.com/>

<https://hespareparts.com/>