

# PARTS & SERVICE NEWS

REF NO.	A965007A
DATE	Apr. 7, 1997

This PARTS & SERVICE NEWS supersedes the previous issue No. A955024 & A965007 dated January 11, 1996 and Service Bulletin No. C-13-96B dated June 3, 1996. Thus, the previously issued Parts & Service News and Service Bulletin should be discarded.

**SUBJECT:** EAGLE AIR CONDITIONING - ASSEMBLY, MOUNTING, AND PIPING.

**PURPOSE:** To provide service parts.

**APPLICATION:** WA120-1LC Wheel Loader With Serial Numbers A20236 and up.  
WA180-1LC Wheel Loader With Serial Numbers A75654 and up.  
512 Wheel Loader With Serial Numbers A3053 and up.  
518 Wheel Loader With Serial Numbers A5135 and up.

**DESCRIPTION:** The component service parts for the Eagle Heater and Air Conditioning attachment, are released for service.

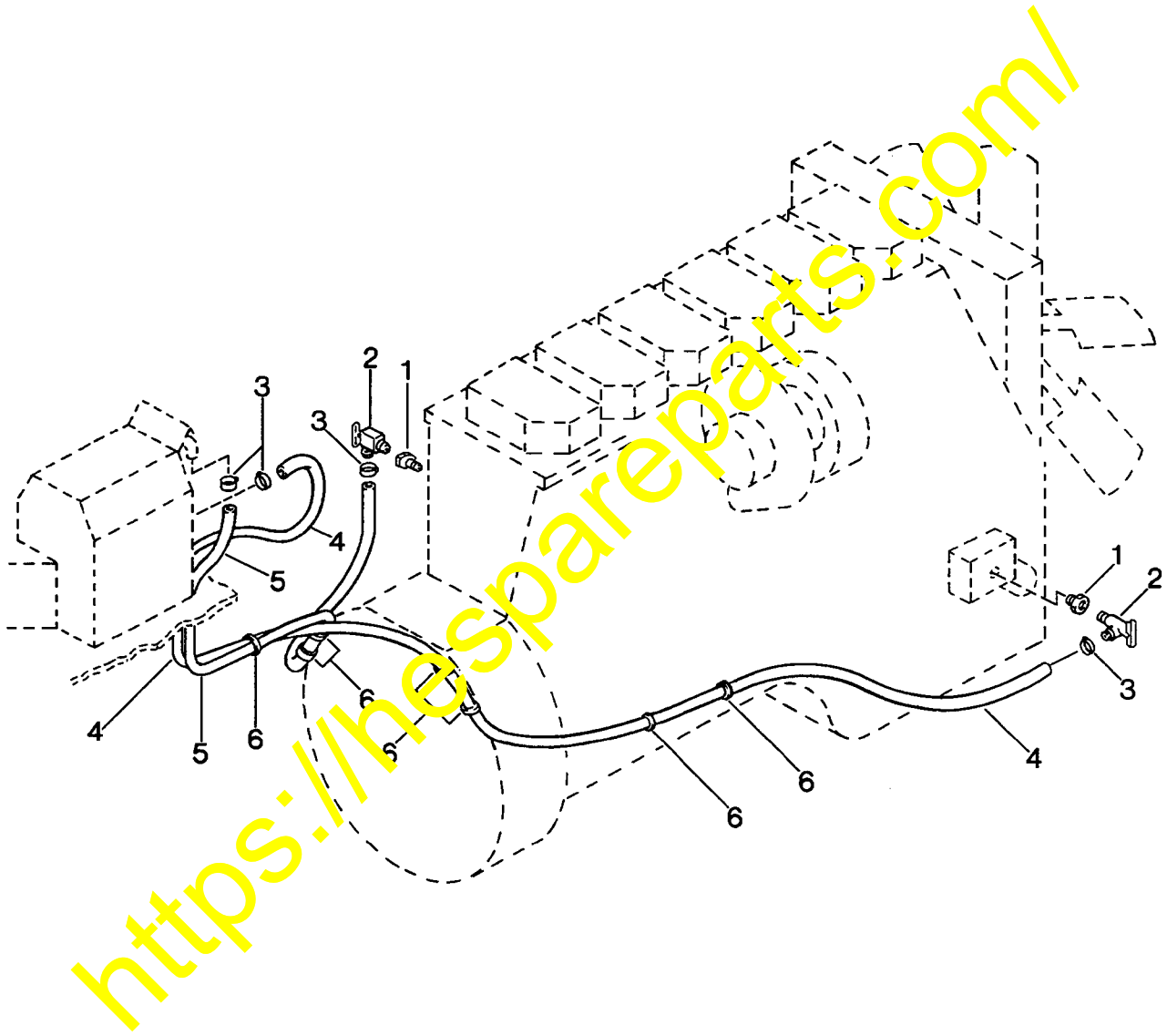
For service part numbers of the heater and air conditioning component parts, refer to the subsequent pages of this PARTS AND SERVICE NEWS.

<https://hespareparts.com/>

---

HEATER LINES

---



L13DZ013

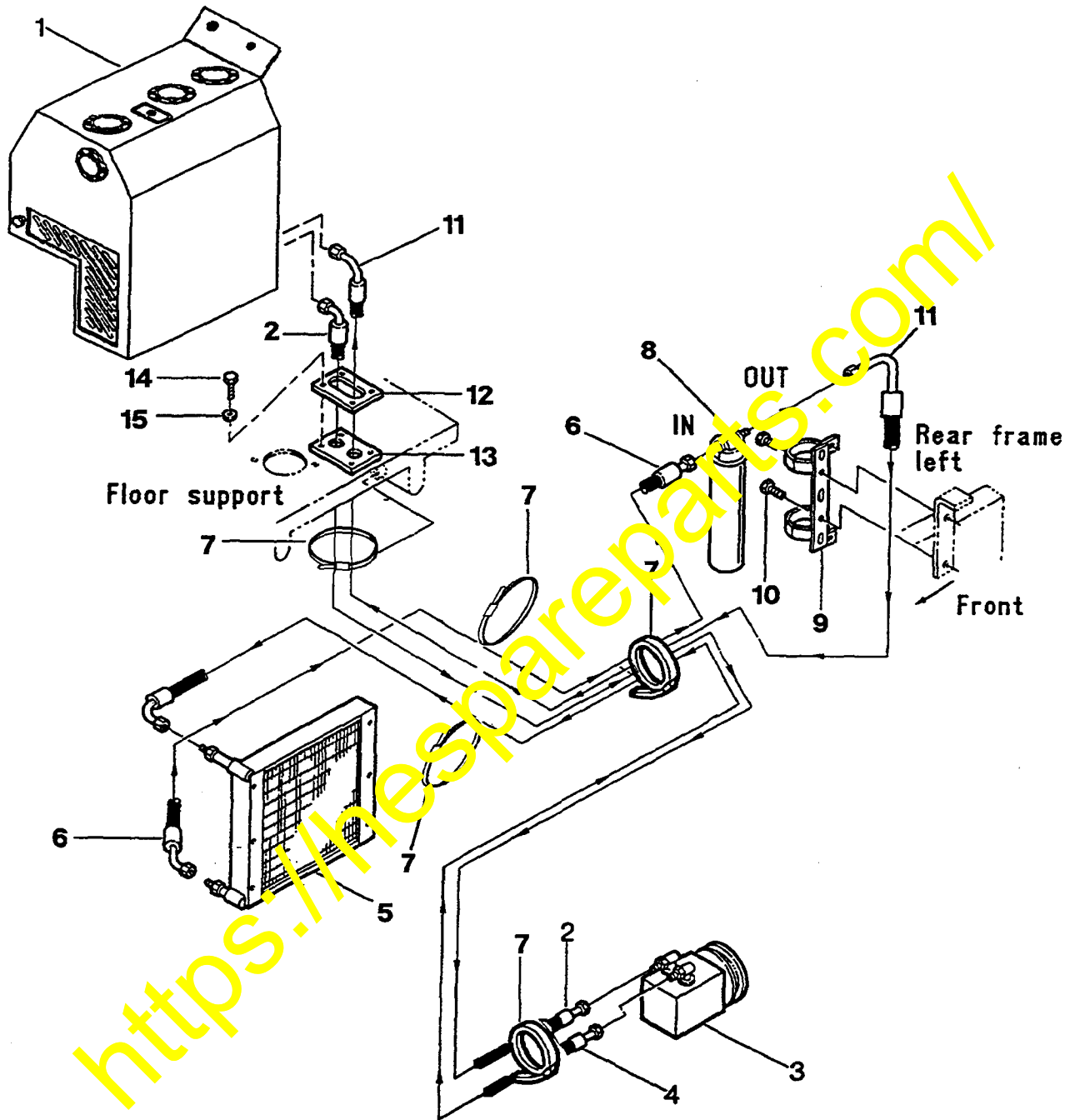
HEATER LINES

Item	Part Number	Description	Qty.	Ref.
1	444 034	BUSHING, REDUCER . . . . .	2	
2	301 803 R91	VALVE, SHUT-OFF . . . . .	2	
3	07281-00259	CLAMP, HEATER HOSE . . . . .	4	
4		HOSE, INLET - CUT 90" LONG . . . . .	1	F1
5		HOSE, OUTLET - CUT 50" LONG . . . . .	1	F1
6	935 522 C1	STRAP, TIE . . . . .	7	
N/I	364 359 C1	.HOSE, BULK HEATER . . . . .		AR

F1 - CUT TO LENGTH FROM BULK HOSE 364 359 C1.

<https://hespareparts.com/>

**AIR CONDITIONER PIPING**  
**AIR CONDITIONER TO CONDENSER TO COMPRESSOR**



<https://mespareparts.com/>

L13ED029A

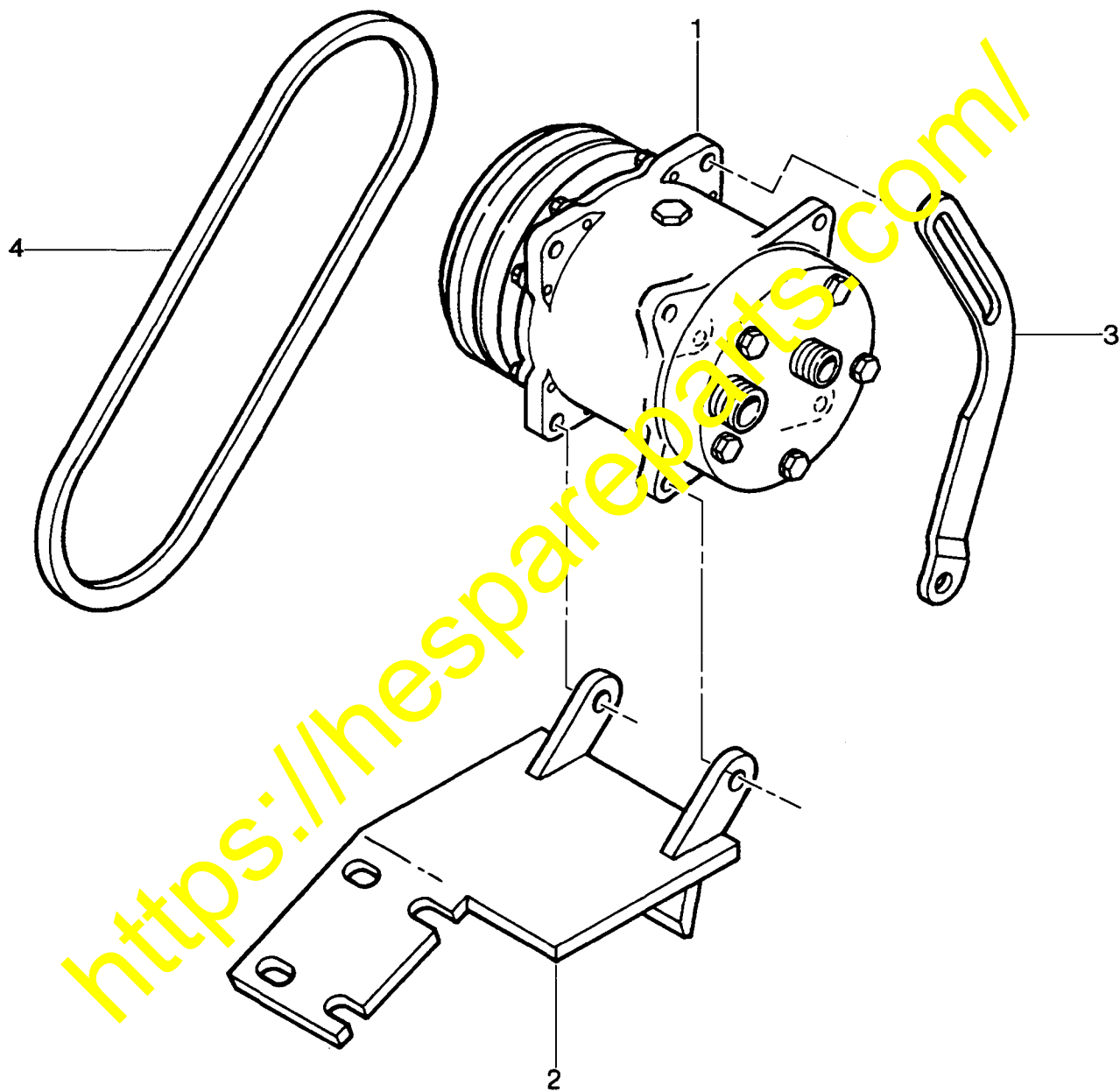
**AIR CONDITIONER PIPING**  
**AIR CONDITIONER TO CONDENSER TO COMPRESSOR**

Item	Part Number	Description	Qty.	Ref.
1		UNIT, HEATER & AIR CONDITIONER (SEE PAGE 11 OF 20) . . . . .	1	
2	416-963-A130	HOSE, AIR CONDITIONER TO COMPRESSOR . . . . .	1	
3		COMPRESSOR, AIR CONDITIONER (SEE PAGE 7 OR PAGE 9) . . . . .	1	
4	416-963-A140	HOSE, COMPRESSOR TO CONDENSER . . . . .	1	
5		CONDENSER ASSEMBLY (SEE PAGE 17 OF 20 ) . . . . .	1	
6	416-963-A160	HOSE, CONDENSER TO DRYER TANK ("IN" PORT) . . . . .	1	
7	935 522 C1	STRAP, TIE . . . . .	5	
N/I	416-963-A170	DRYER ASSEMBLY . . . . .	1	
8	416-963-A180	.TANK, DRYER . . . . .	1	
N/I	416-963-A210	.SWITCH, DRYER . . . . .	1	
9	416-963-A190	.KIT, DRYER MOUNTING . . . . .	1	
10	NSS	.BOLT, BRACKET . . . . .	2	
11	416-963-A150	HOSE, DRYER TANK TO AIR CONDITIONER ("OUT PORT") . . . . .	1	
12	416-942-1871	PLATE . . . . .	2	
13	416-942-1530	PLATE . . . . .	1	
14	01010-50825	BOLT, MOUNTING PLATES . . . . .	4	
15	01643-30823	WASHER . . . . .	4	

---

**AIR CONDITIONER  
COMPRESSOR AND MOUNTING - FOR WA120-1LC & 512**

---



**L13EH022**

**AIR CONDITIONER**  
**COMPRESSOR AND MOUNTING - FOR WA120-1LC & 512**

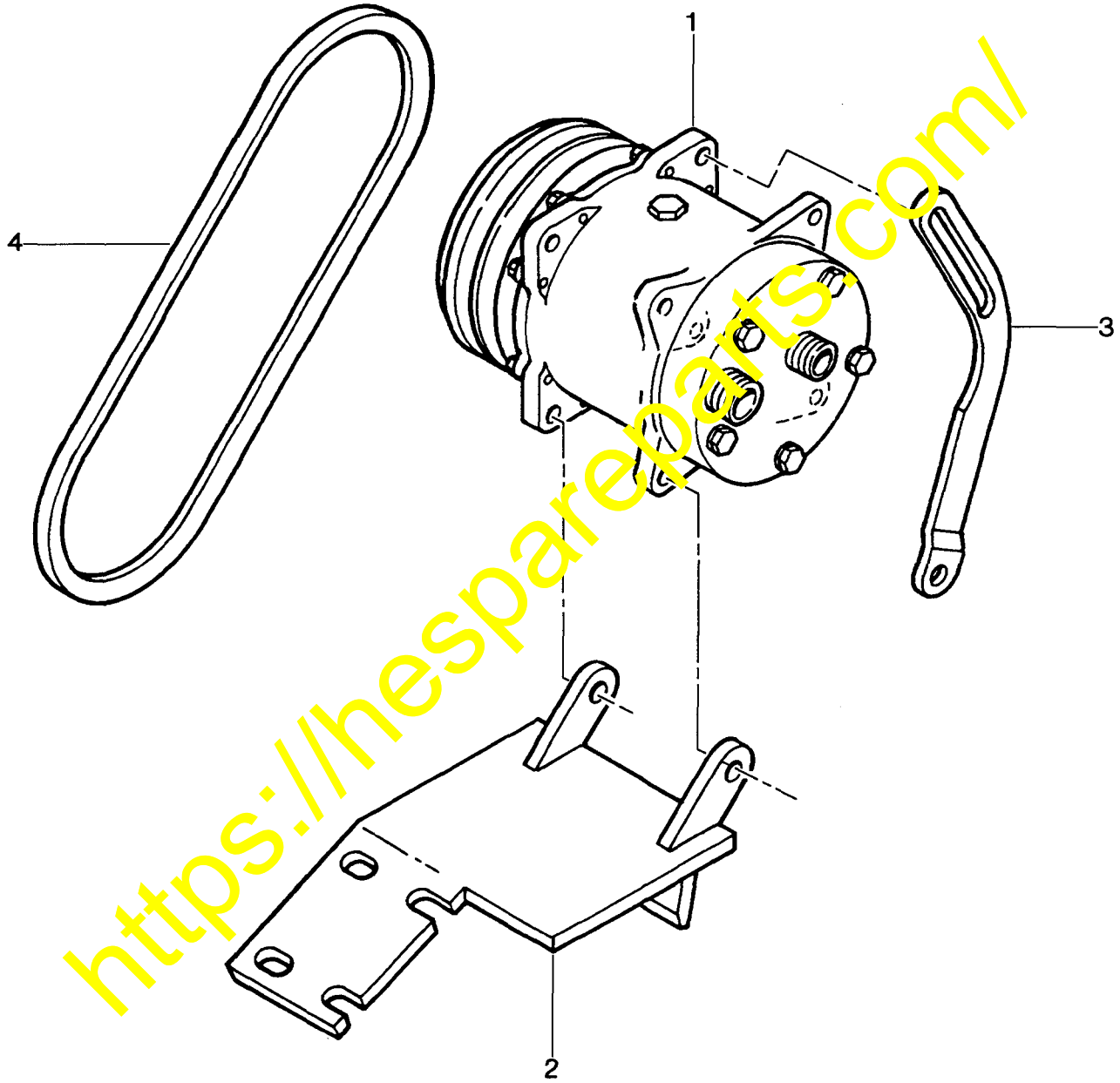
Item	Part Number	Description	Qty.	Ref.
1	417-963-A290	COMPRESSOR ASSEMBLY, AIR CONDITIONER . . . . .	1	
	416-963-A030	KIT, COMPRESSOR MOUNTING . . . . .	1	
2	416-963-A090	.BRACKET, MOUNTING . . . . .	1	
3	416-963-A100	.BRACKET, BELT TENSIONER . . . . .	1	
	416-963-A120	.KIT, HARDWARE . . . . .	1	
	NSS	..BOLT, M10 X 1.5 X 35 . . . . .	5	
	NSS	..NUT, M10 X 1.5 . . . . .	3	
	NSS	..WASHER, 10MM - LOCK . . . . .	6	
	NSS	..BOLT, M10 X 1.5 X 50 . . . . .	1	
	NSS	..SPACER . . . . .	1	
4	416-963-A220	BELT, COMPRESSOR DRIVE . . . . .	1	

<https://hespareparts.com/>

---

**AIR CONDITIONER**  
**COMPRESSOR AND MOUNTING - FOR WA180-1LC & 518**

---



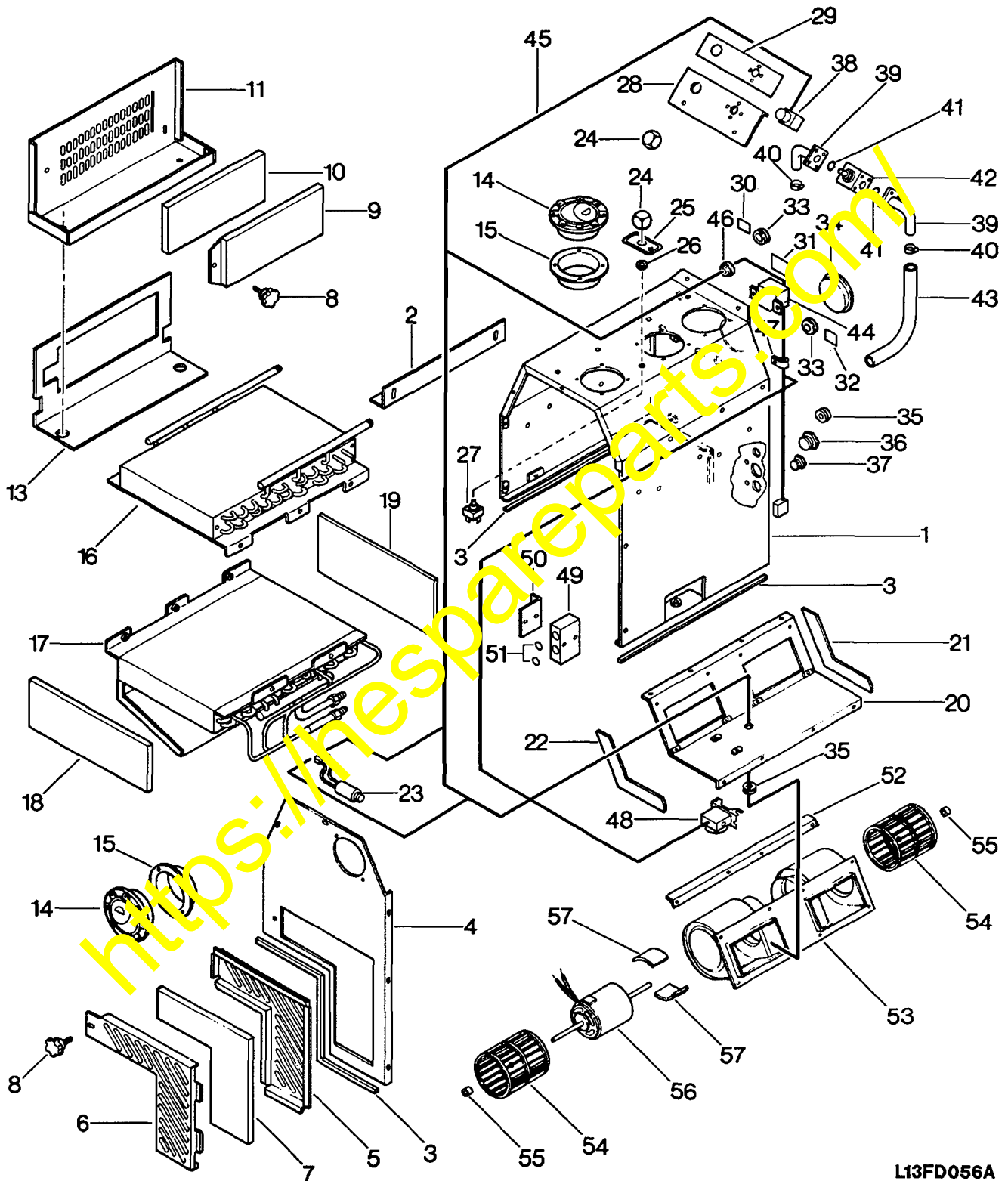
**L13EH022**



**AIR CONDITIONER  
COMPRESSOR AND MOUNTING - FOR WA180-1LC & 518**

Item	Part Number	Description	Qty.	Ref.
1	417-963-A290	COMPRESSOR ASSEMBLY, AIR CONDITIONER . . . . .	1	
	417-963-A141	KIT, COMPRESSOR MOUNTING . . . . .	1	
2	417-963-A171	.BRACKET, MOUNTING . . . . .	1	
3	417-963-A190	.BRACKET, BELT TENSIONER . . . . .	1	
	417-963-A181	.KIT, HARDWARE . . . . .	1	
	NSS	..BOLT, M10 X 1.5 X 25 . . . . .	1	
	NSS	..BOLT, M10 X 1.5 X 35 . . . . .	6	
	NSS	..NUT, M10 X 1.5 . . . . .	2	
	NSS	..WASHER, 10MM - LOCK . . . . .	8	
	NSS	..BOLT, 5/16NC X 1 1/2 . . . . .	1	
	NSS	..WASHER, 5/16 - FLAT . . . . .	2	
	NSS	..WASHER, 5/16 - LOCK . . . . .	1	
	NSS	..NUT, 5/16NC . . . . .	1	
	NSS	..SLEEVE . . . . .	1	
	NSS	..BOLT, M10 X 1.5 X 50 . . . . .	2	
	NSS	..SPACER . . . . .	1	
4	417-963-A370	BELT, COMPRESSOR DRIVE . . . . .	1	

AIR CONDITIONER  
COMPLETE UNIT ASSEMBLY

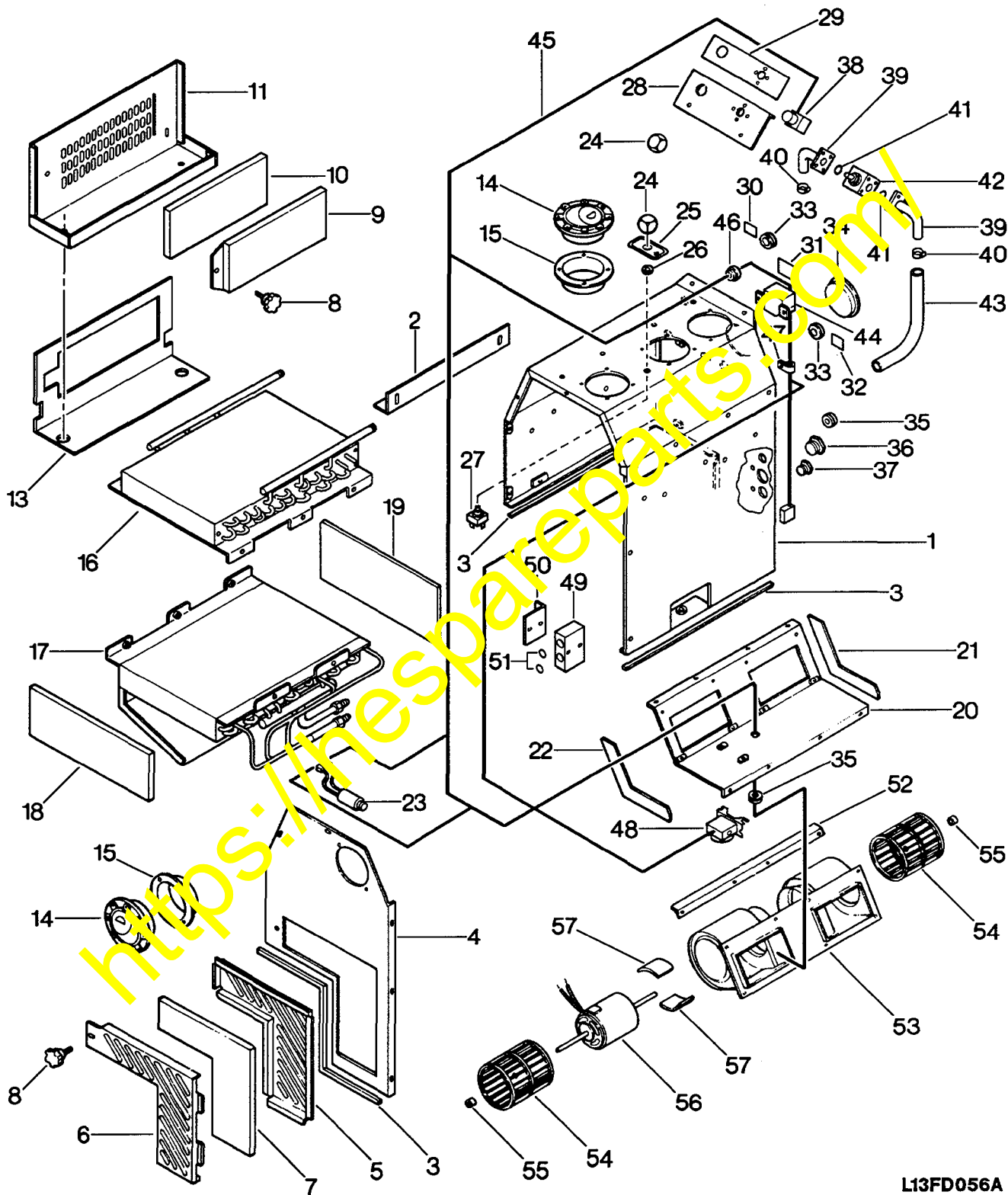


L13FD056A

**AIR CONDITIONER  
COMPLETE UNIT ASSEMBLY**

Item	Part Number	Description	Qty.	Ref.
	417-963-A280	UNIT, HEATER AND AIR CONDITIONER . . . . .	1	
1	416-942-A830	.HOUSING, MAIN . . . . .	1	
	418-T42-A470	.SCREW, 1/4-20 X 1/2 - TRUSS . . . . .	12	
2	416-942-A860	.BRACKET, MOUNTING . . . . .	1	
	416-942-A790	.SCREW, 5/16 X 1/2 - WHIZLOCK . . . . .	2	
3	1434 987 H1	.FOAM, BALLOON SEAL (35") . . . . .	1	
4	416-942-A840	.COVER . . . . .	1	
	418-T42-A390	.SCREW, #10-32 X 1/2 - TORX . . . . .	8	
5	416-942-A850	.BASE, FILTER . . . . .	1	
6	416-942-A620	.COVER, FILTER . . . . .	1	
7	416-942-A650	.FILTER, RECIRCULATE AIR - INSIDE . . . . .	1	
8	416-942-A640	.KNOB, 1/4-20 X 3/4 . . . . .	2	
9	416-942-A480	.RETAINER, FILTER . . . . .	1	
10	416-942-A320	.FILTER, RECIRCULATE AIR - OUTSIDE . . . . .	1	
11	416-942-A820	.PAN, AIR INTAKE . . . . .	1	
13	416-942-A960	.FOAM, DRAIN PAN . . . . .	1	
14	416-942-A280	.LOUVER, FLUSH MOUNT . . . . .	4	
	NSS	.RIVET, 1/8" X 3/8" HEAD - POP . . . . .	14	
15	416-942-A290	.PANEL, MOUNT . . . . .	4	
16	416-942-A750	.COIL, HEATER . . . . .	1	
17	416-963-A230	.COIL, AIR CONDITIONING . . . . .	1	
18	416-942-A670	.FOAM, COIL - FRONT . . . . .	1	
19	416-942-A660	.FOAM, COIL - REAR . . . . .	1	
20	416-942-A870	.PLENUM . . . . .	1	
	418-T42-A390	.SCREW, #10-32 X 1/2 - TORX . . . . .	8	
21	416-942-A680	.FOAM, PLENUM - REAR . . . . .	1	
22	416-942-A690	.FOAM, PLENUM - FRONT . . . . .	1	
23	425-963-A960	.SWITCH, LOW PRESSURE . . . . .	1	
24	416-942-A330	.KNOB, SWITCH W/CHROME RING . . . . .	2	
25	416-942-A510	.DECAL, FAN . . . . .	1	
26	425-963-A930	.NUT, JAM . . . . .	1	
27	416-942-A350	.SWITCH, FAN . . . . .	1	
28	416-963-A250	.PLATE, HEATER AND A/C CONTROLS . . . . .	1	
	418-T42-A390	.SCREW, #10-32 X 1/2 - TORX . . . . .	2	

AIR CONDITIONER  
COMPLETE UNIT ASSEMBLY

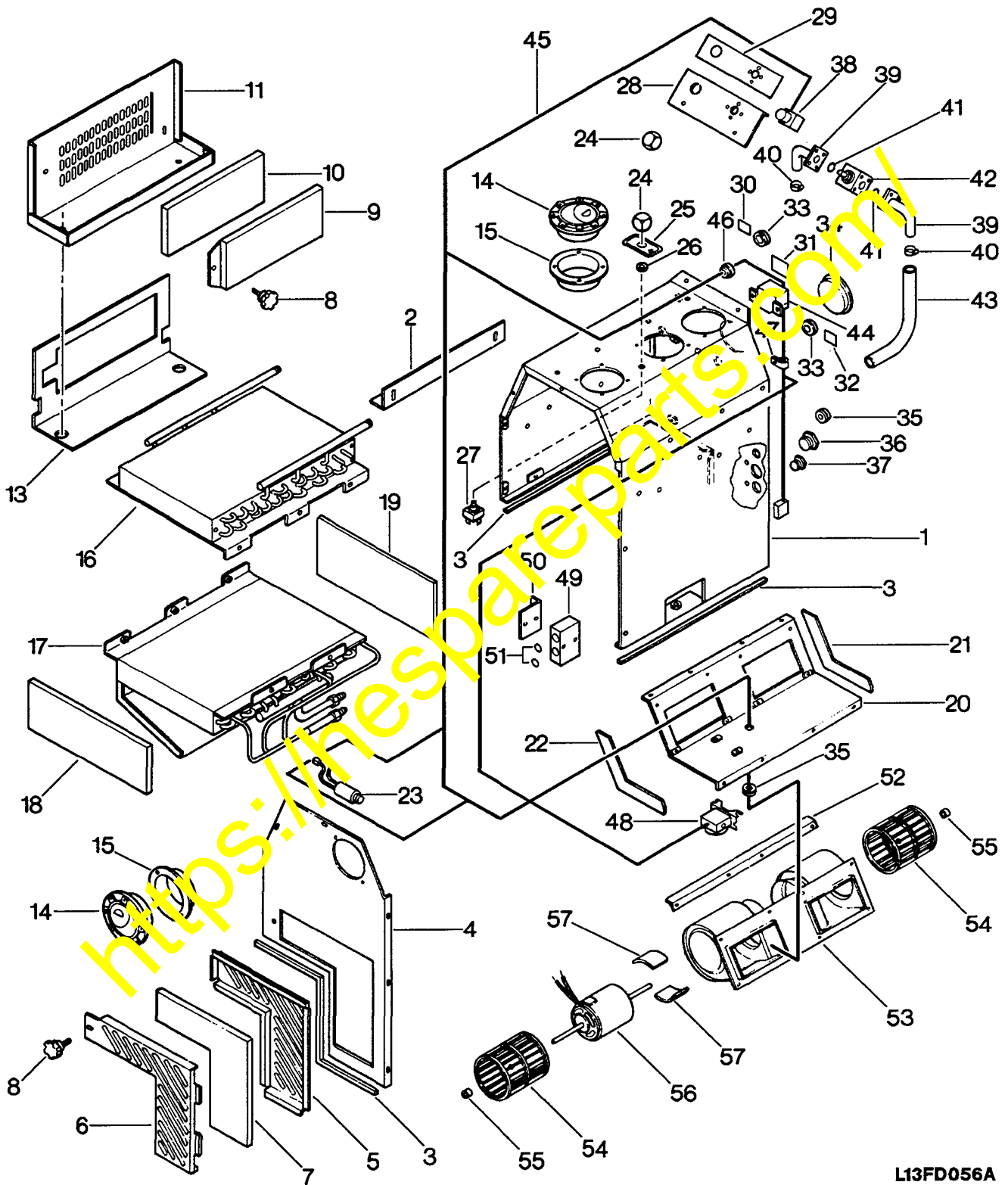


L13FD056A

**AIR CONDITIONER  
COMPLETE UNIT ASSEMBLY**

Item	Part Number	Description	Qty.	Ref.
29	416-942-A760	.DECAL, HEATER AND A/C CONTROLS . . . . .	1	
30	1300 162 H1	.DECAL, WATER - OUT . . . . .	1	
31	1300 160 H1	.DECAL, 24 VOLT . . . . .	1	
32	1300 159 H1	.DECAL, WATER - IN . . . . .	1	
33	425-963-A990	.GROMMET, 7/8" . . . . .	2	
34	416-942-A780	.PLUG, 2 1/2" . . . . .	1	
35	1300 213 H1	.GROMMET, 9/16" . . . . .	2	
36	416-942-A450	.PLUG . . . . .	1	
37	416-942-A940	.PLUG . . . . .	1	
38	425-963-AC71	.SWITCH, PUSH-BUTTON . . . . .	1	
	1431 252 H1	.SCREW, #8 X 5/16 . . . . .	4	
39	1431 246 H1	.FITTING, 90° . . . . .	2	
	9419 926	.SCREW, #8 X 7/16 . . . . .	8	
40	122 316 R91	.CLAMP, HOSE . . . . .	2	
41	1300 184 H1	.O-RING, 5/8 ID . . . . .	2	
42	1300 179 H1	.VALVE . . . . .	1	
43	416-942-A770	.HOSE (RW) - 5/8 ID . . . . .	1	
44	425-963-AA90	.RELAY . . . . .	1	
	418-T42-A390	.SCREW, #10-32 X 1/2 - TORX . . . . .	2	
45	416-963-A260	.HARNES, WIRING . . . . .	1	
46	NSS	.GROMMET . . . . .	1	
47	425-963-AA60	.CLAMP, 5/8 HARNES . . . . .	1	
48	425-963-AB50	.SWITCH, A/C - 21" . . . . .	1	
	418-T42-A390	.SCREW, #10-32 X 1/2 - TORX . . . . .	2	
49	416-963-A270	.VALVE, BLOCK . . . . .	1	
	416-942-A380	.SCREW, 1/4-20 X 2 - TORX . . . . .	2	
	416-942-A980	.WASHER, 1/4 - LOCK . . . . .	2	
	416-942-A420	.NUT, 1/4-20 - WHIZLOCK . . . . .	2	
50	416-963-A240	.BRACKET, BLOCK VALVE . . . . .	1	
51	1300 673 H1	.O-RING, 13/32" . . . . .	2	
52	416-942-A880	.CLAMP, BLOWER . . . . .	1	
	418-T42-A390	.SCREW, #10-32 X 1/2 - TORX . . . . .	4	
53	416-942-A990	.HOUSING, TOP AND BOTTOM - BLOWER MOTOR . . . . .	1	
	418-T42-A390	.SCREW, #10-32 X 1/2 - TORX . . . . .	4	
	416-942-A430	.SCREW, #8 X 5/8 . . . . .	4	

AIR CONDITIONER  
COMPLETE UNIT ASSEMBLY



L13FD056A

---

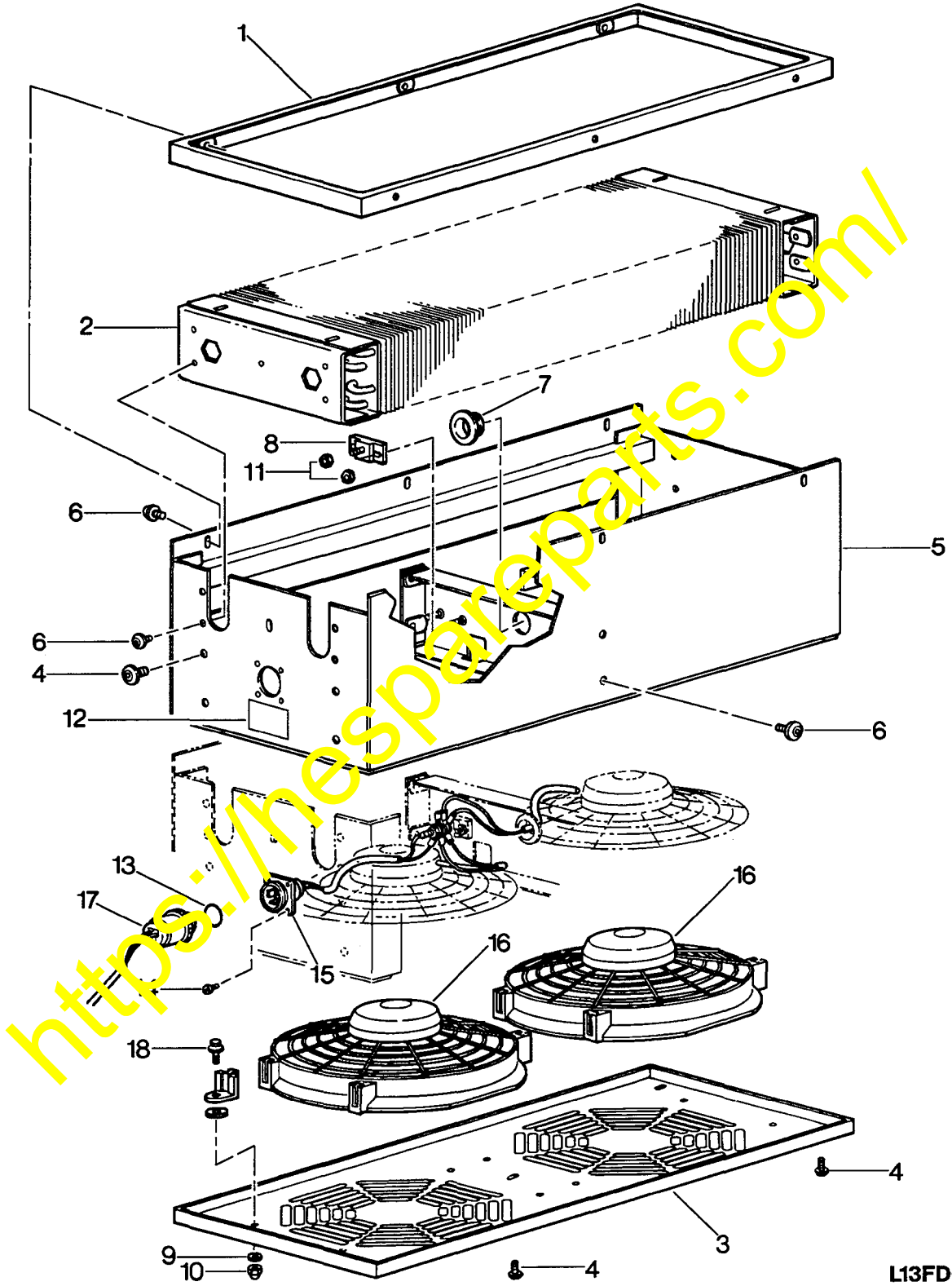
**AIR CONDITIONER  
COMPLETE UNIT ASSEMBLY**

---

<b>Item</b>	<b>Part Number</b>	<b>Description</b>	<b>Qty. Ref.</b>
54	416-942-A250	.WHEEL, IMPELLER - BLOWER MOTOR . . . . .	2
55	416-942-A260	.CLAMP, IMPELLER . . . . .	2
56	416-942-A720	.MOTOR, BLOWER . . . . .	1
57	416-942-A740	.GASKET, MOTOR . . . . .	2

<https://hespareparts.com/>

AIR CONDITIONER  
CONDENSER ASSEMBLY



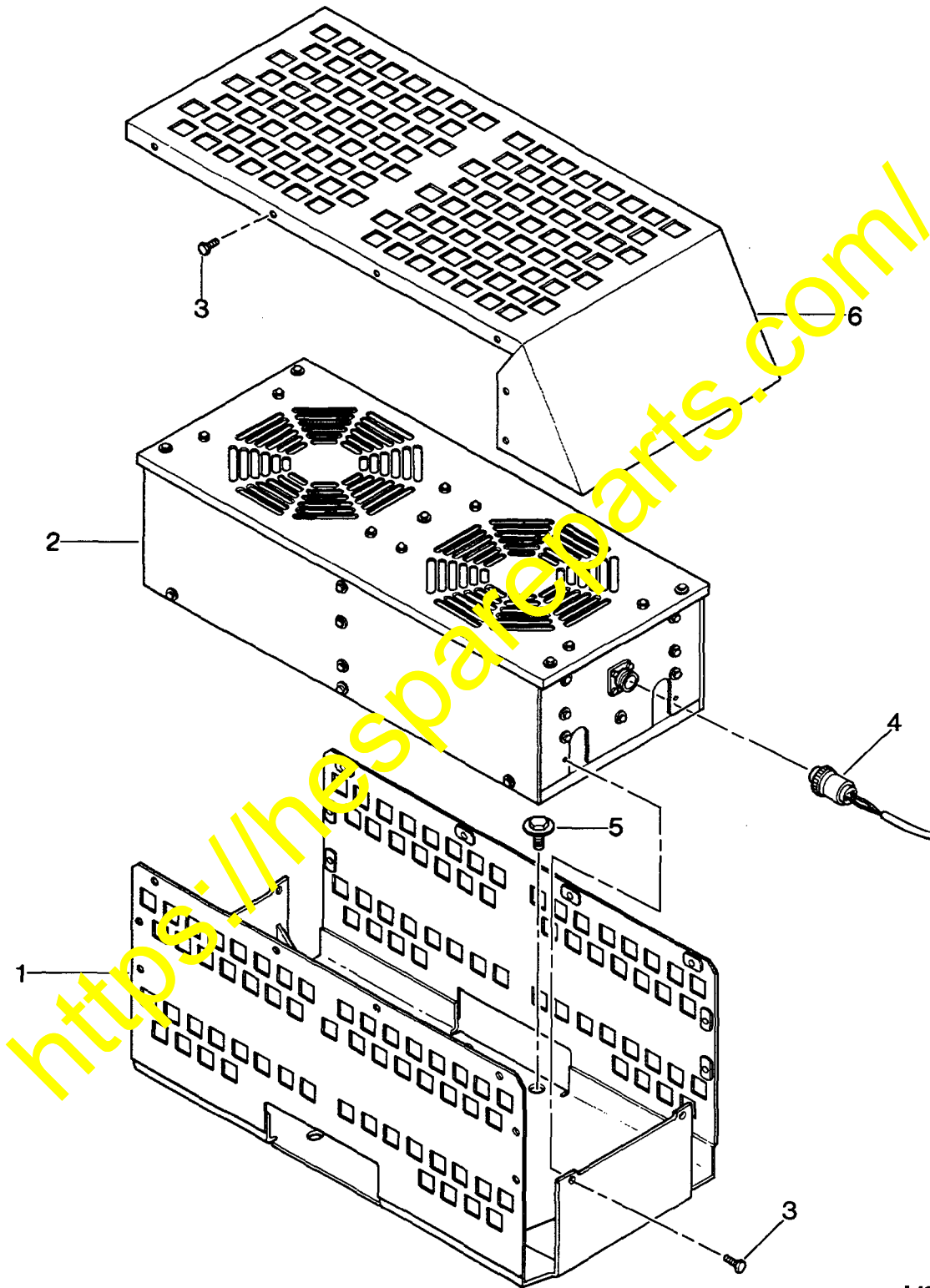
L13FD057



**AIR CONDITIONER  
CONDENSER ASSEMBLY**

Item	Part Number	Description	Qty.	Ref.
	417-963-A340	CONDENSER ASSEMBLY . . . . .	1	
1	416-963-A320	.SCREEN . . . . .	1	
2	416-963-A310	.COIL ASSEMBLY . . . . .	1	
3	416-963-A410	.TOP . . . . .	1	
4	416-942-A060	.SCREW, 5/16 X 1/2 - TRUSS TORX . . . . .	18	
5	416-963-A330	.HOUSING . . . . .	1	
6	418-T42-A470	.SCREW, 1/4-20 X 1/2 - TORX / WHIZLOCK . . . . .	17	
7	425-963-A990	.GROMMET, RUBBER - 7/8 . . . . .	1	
8	416-963-A340	.BLOCK, TERMINAL STUD - #10-32 . . . . .	1	
9	174 916	.WASHER, 1/4 - LOCK (TOOTH) . . . . .	8	
10	131 420	.NUT, 1/4-20 - ACORN . . . . .	8	
11	416-942-A150	.NUT, #10-32 - KEP . . . . .	3	
12	1300160 H1	.DECAL, 24 VOLT . . . . .	1	
13	416-963-A360	.SEAL . . . . .	1	
14	416-963-A370	.SCREW, #6-32 X 1/2 - SLOTTED . . . . .	4	
15	416-963-A380	.HARNESS, INTERNAL . . . . .	1	
16	416-963-A390	.FAN, 9" PUSHER - 10 BLADE - 24 VOLT . . . . .	2	
17		HARNESS, EXTERNAL (SEE PG 19 OF 20) . . . . .	1	
18	425-963-A730	SCREW, 1/4-20 X 3/4 WHIZLOCK . . . . .	8	

AIR CONDITIONER  
CONDENSER AND MOUNTING



L13FD058

---

**AIR CONDITIONER  
CONDENSER AND MOUNTING**

---

Item	Part Number	Description	Qty.	Ref.
	417-963-A260	KIT, CONDENSER MOUNTING . . . . .	1	
1	417-963-A350	.BRACKET, CONDENSER . . . . .	1	
2		.CONDENSER ASSEMBLY (SEE PAGE 17 OF 20) . . . . .	1	
3	NSS	.BOLT, 5/16 - 18 X 3/4 - WHIZLOCK . . . . .	4	
4	417-963-A330	.HARNES, EXTERNAL - JUMPER . . . . .	1	
5	NSS	.BOLT, 3/4 X 1 1/2 . . . . .	6	
6	417-963-A360	.COVER, CONDENSER . . . . .	1	

<https://hespareparts.com/>

<https://hespareparts.com/>