

# PARTS & SERVICE NEWS

REF NO.	A965028
DATE	July 22, 1996

Page 1 of 31

**SUBJECT:** EAGLE AIR CONDITIONING - ASSEMBLY AND PIPING

**PURPOSE:** To provide service parts.

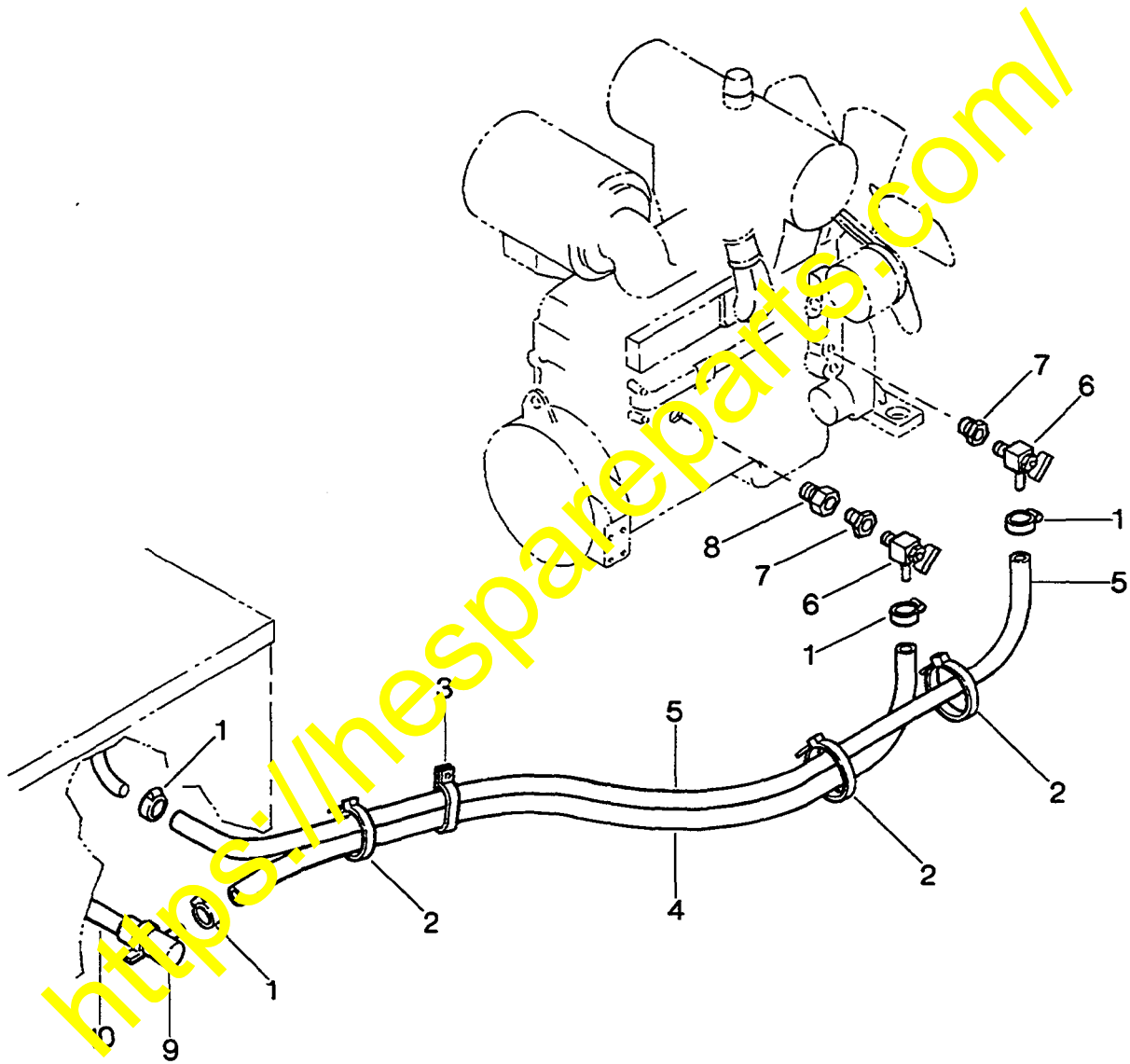
**APPLICATION:** WA320-3 Wheel Loader - S/N A30001 and up  
WA380-3 Wheel Loader - S/N A50001 and up  
WA420-3 Wheel Loader - S/N A30001 and up  
WA450-3 Wheel Loader - S/N A30001 and up

**DESCRIPTION:** The component service parts for the Eagle Air Conditioning / Heater attachment, are released for service.

For service part numbers of the air conditioning / heater component parts, refer to the subsequent pages of this PARTS AND SERVICE NEWS.

<https://hespareparts.com/>

HEATER LINES



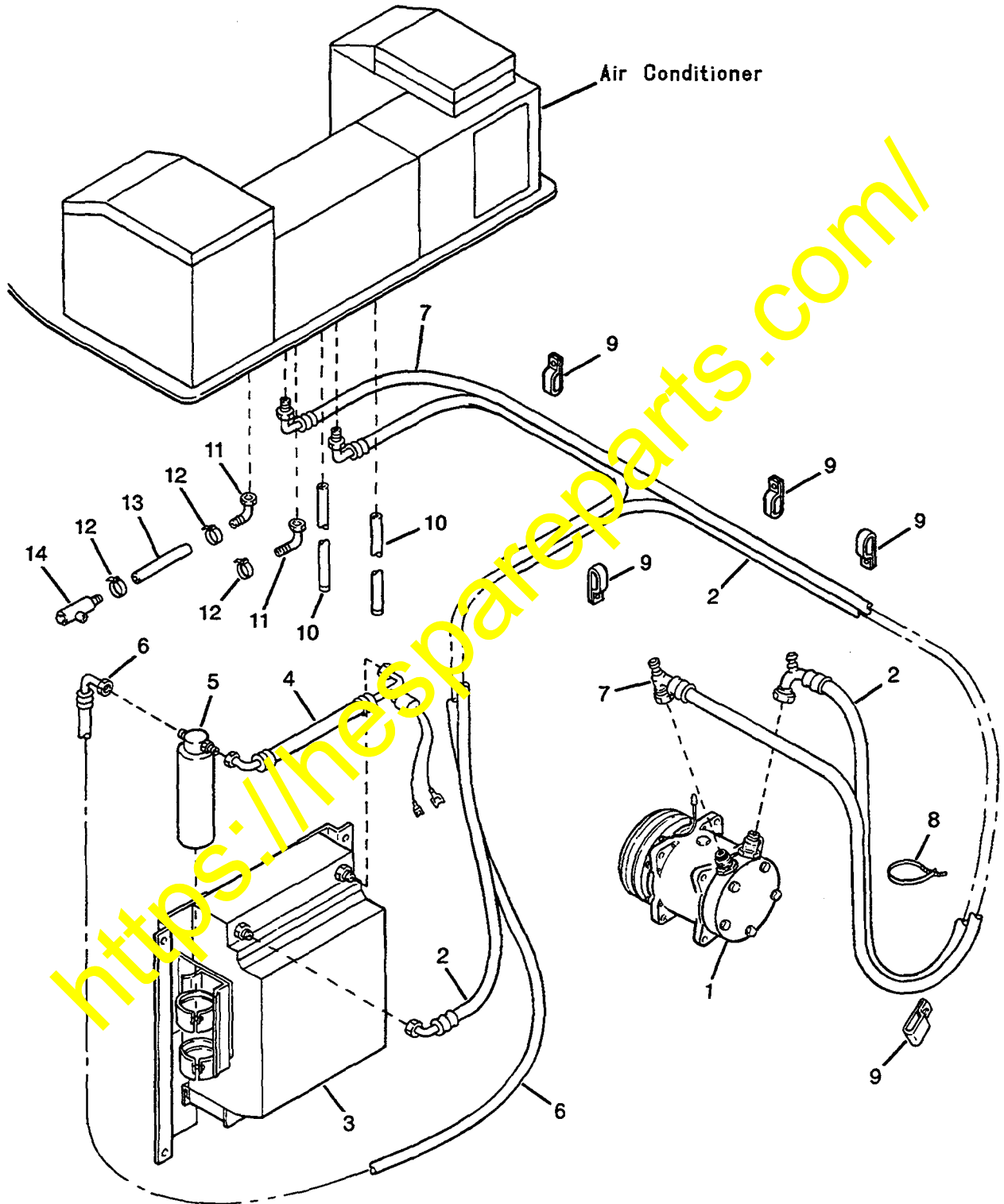
L13ED032

## HEATER LINES

Item	Part Number	Description	Qty.	Ref.
1	07281-00259	CLAMP, HEATER HOSE . . . . .	4	
2	306 132 C2	STRAP, TIE . . . . .	3	
3	421-07-11550	CLAMP, HOSE . . . . .	1	
4		HOSE, BULK - CUT 89" LONG . . . . .	1	F1
5		HOSE, BULK - CUT 115" LONG . . . . .	1	F1
6	301 803 R91	VALVE, SHUTOFF . . . . .	2	
7	444 034	ADAPTER, REDUCER . . . . .	2	
8	444 004	ADAPTER . . . . .	1	
9	419-963-A150	VALVE, WATER . . . . .	1	
10		HOSE, BULK - CUT 8" LONG . . . . .	1	F1
N/I	364 359 C1	.HOSE, BULK HEATER . . . . .		AR

F1 - CUT TO LENGTH FROM BULK HOSE 364 359 C1.

AIR CONDITIONER PIPING  
AIR CONDITIONER TO CONDENSER TO COMPRESSOR



L13ED033

**AIR CONDITIONER PIPING**  
**AIR CONDITIONER TO CONDENSER TO COMPRESSOR**

Item	Part Number	Description	Qty.	Ref.
1		COMPRESSOR, AIR CONDITIONER (SEE PG 11) . . . . .	1	F1
		COMPRESSOR, AIR CONDITIONER (SEE PG 9) . . . . .	1	F2
2	419-963-A210	HOSE, COMPRESSOR TO CONDENSER . . . . .	1	
3		CONDENSER ASSEMBLY (SEE PG 29) . . . . .	1	
4	419-963-A180	HOSE, CONDENSER TO DRYER W/HIGH PRESSURE SWITCH . . . . .	1	
	419-963-AA10	.SWITCH, HIGH PRESSURE . . . . .	1	
5		DRYER (SEE PG 23, 25, or 27) . . . . .	1	
6	419-963-A190	HOSE, DRYER TO EVAPORATOR . . . . .	1	
7	419-963-A170	HOSE, EVAPORATOR TO COMPRESSOR . . . . .	1	
8	418-T42-A420	STRAP, TIE . . . . .	2	
9	651 569 C1	CLAMP, HOSE . . . . .	5	
10	425-963-A350	HOSE, DRAIN . . . . .	2	
11	425-963-A360	COUPLING . . . . .	2	
12	07281-00259	CLAMP, HOSE . . . . .	3	
13		HOSE, BULK - CUT 8" LONG . . . . .	1	F3
14		VALVE, WATER (SEE PG 3) . . . . .	1	
N/I	364 359 C1	.HOSE, BULK HEATER . . . . .		AR

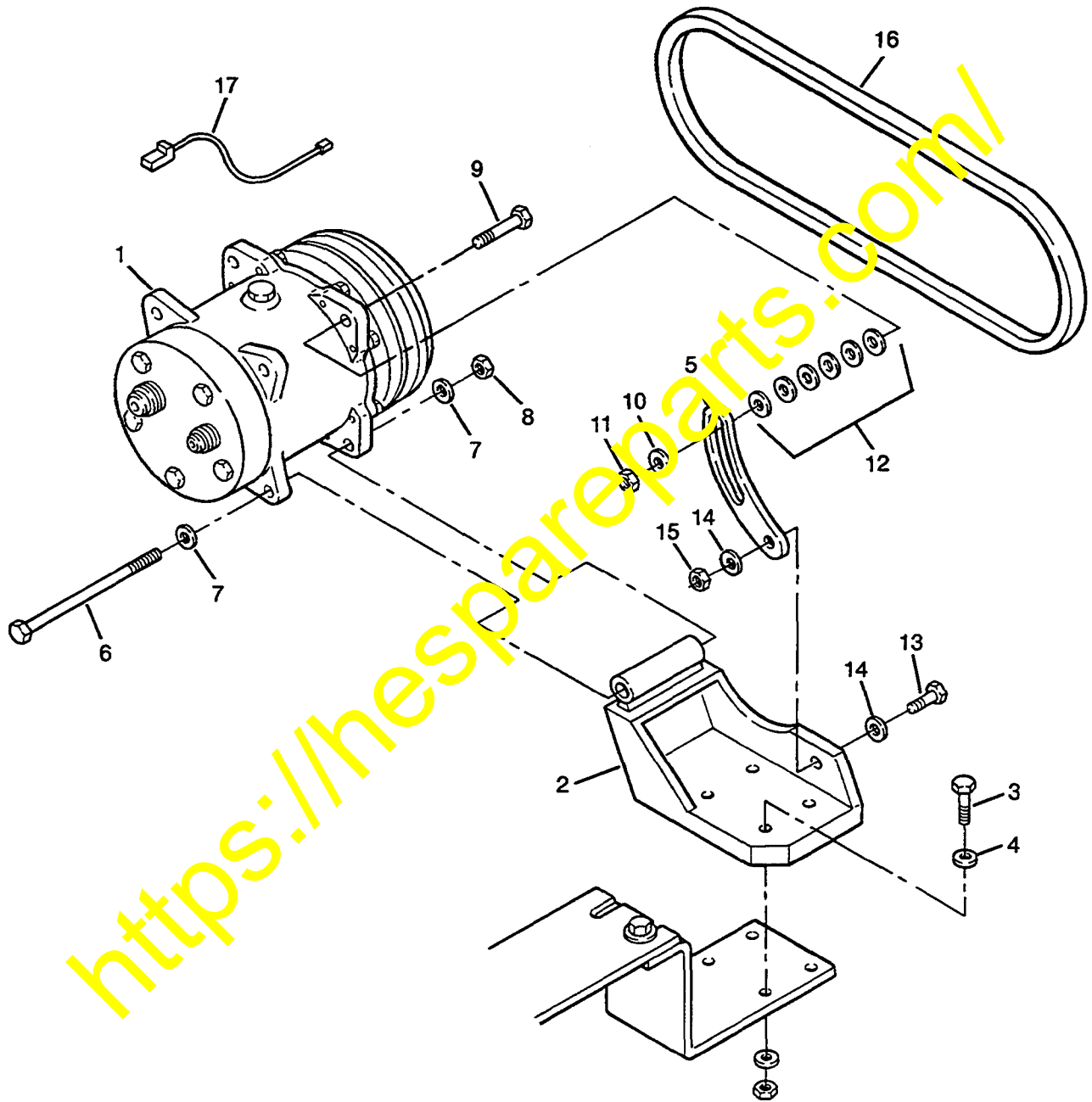
https://thespareparts.com/

F1 - USED ON MODELS WA320-3, WA380-3, AND WA420-3.

F2 - USED ON MODEL WA450-3.

F3 - CUT TO LENGTH FROM BULK HOSE 364 359 C1.

AIR CONDITIONER  
COMPRESSOR AND MOUNTING (WA320-3, WA380-3, AND WA420-3)



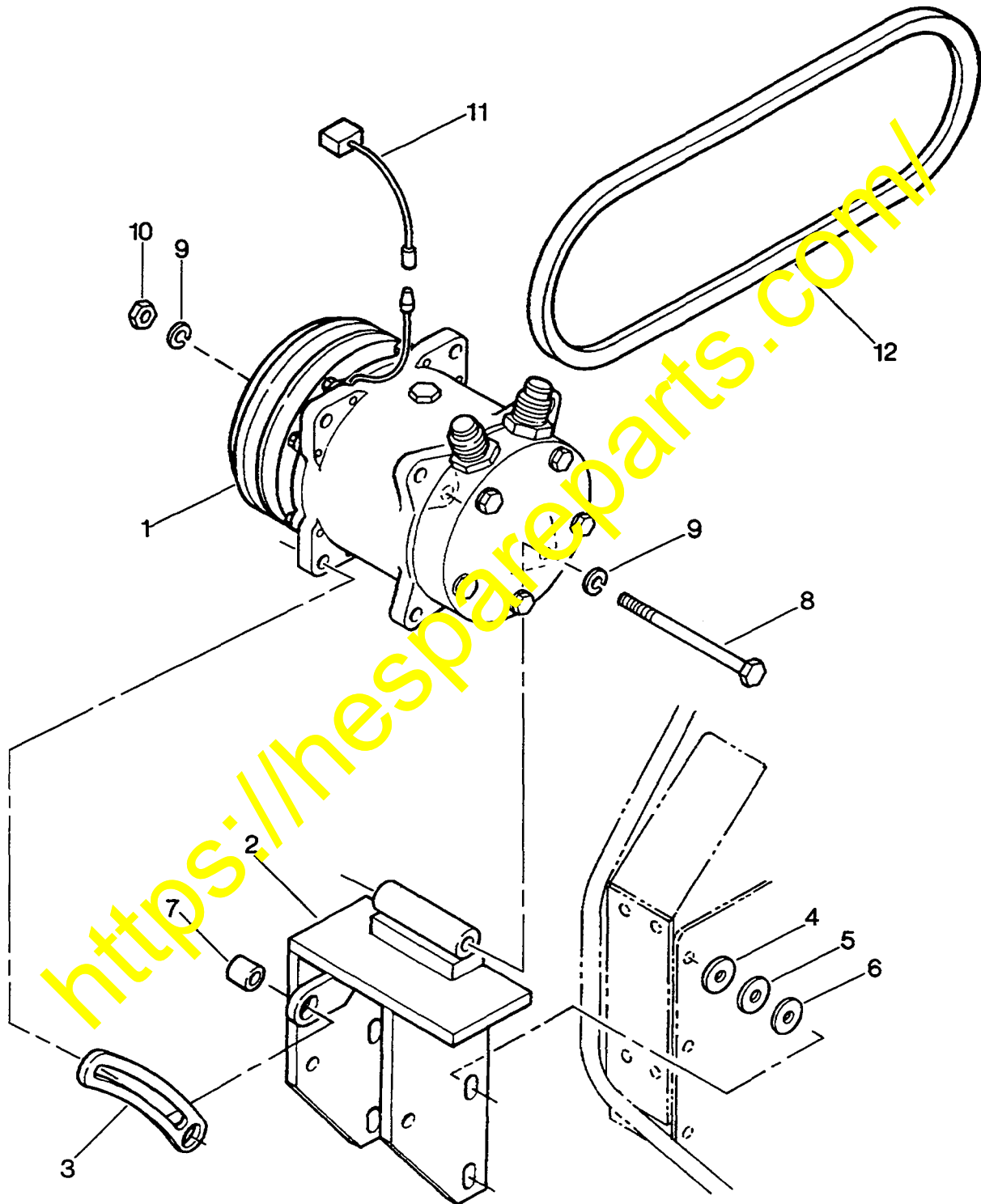
L13EH025

**AIR CONDITIONER**  
**COMPRESSOR AND MOUNTING (WA320-3, WA380-3, AND WA420-3)**

Item	Part Number	Description	Qty.	Ref.
1		COMPRESSOR, AIR CONDITIONER (SEE PG 11)	1	
2	423-964-A270	BRACKET, COMPRESSOR MOUNT	1	F1
3	01010-51035	BOLT	4	
4	01643-31032	WASHER	4	
5	423-963-A280	BRACKET, BELT TENSIONER	1	F1
6	01011-51030	BOLT	2	
7	01643-31032	WASHER	2	
8	01598-11011	NUT	1	
9	01010-50835	BOLT	1	
10	01643-30823	WASHER	2	
11	01580-10806	NUT	1	
12	419-963-AB60	SHIM KIT	1	F1
	425-963-A430	.SHIM, .005"	2	
	425-963-A420	.SHIM, .010"	2	
	425-963-A410	.SHIM, .015"	2	
13	01010-51030	BOLT	1	
14	01643-31030	WASHER	2	
15	01580-11008	NUT	1	
16	423-963-A110	BELT, A.C. COMPRESSOR	1	
17	425-963-A460	HARNESS, A.C. COMPRESSOR	1	
	419-963-AB50	KIT, COMPRESSOR MOUNTING	1	

F1 - INCLUDED IN MOUNTING KIT 419-963-AB50.

AIR CONDITIONER  
COMPRESSOR AND MOUNTING (FOR WA450-3)



L13EH024



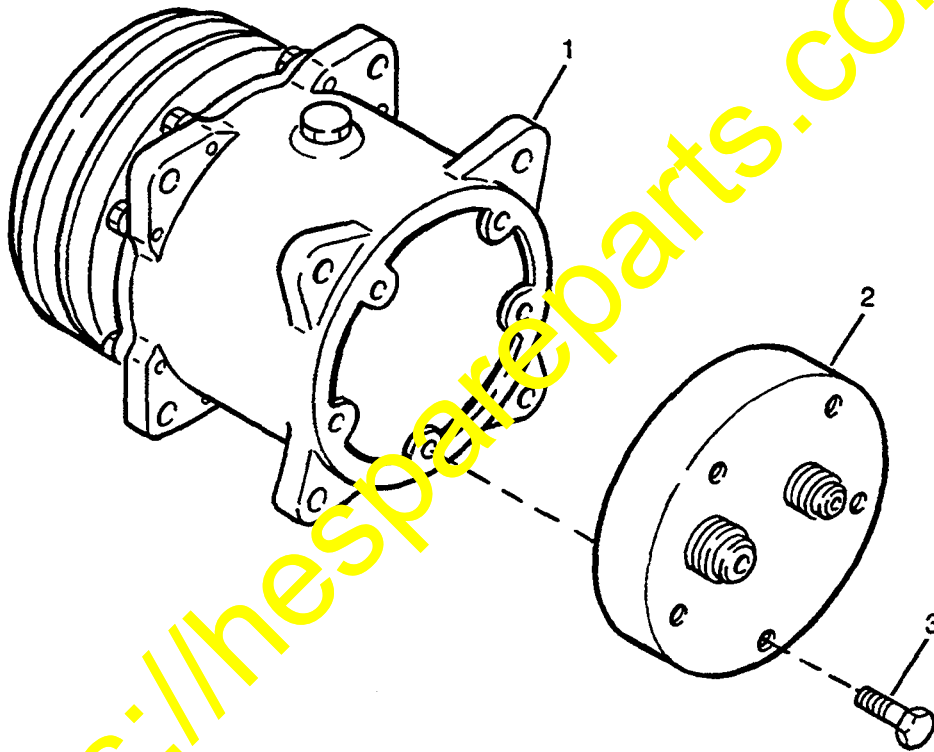
AIR CONDITIONER  
COMPRESSOR AND MOUNTING (FOR WA450-3)

Item	Part Number	Description	Qty.	Ref.
1	1303 641 H1	COMPRESSOR, AIR CONDITIONER . . . . .	1	
	421-963-A650	KIT, COMPRESSOR MOUNTING . . . . .	1	
2	NSS	.BRACKET, MOUNTING . . . . .	1	
	01010-50835	.BOLT . . . . .	2	
	01643-30823	.WASHER . . . . .	2	
	01010-51035	.BOLT . . . . .	2	
	01643-31032	.WASHER . . . . .	2	
3	421-963-A350	.BRACKET, BELT TENSIONER . . . . .	1	
	01010-51030	.BOLT . . . . .	1	
	01643-31032	.WASHER . . . . .	2	
	01580-11008	.NUT . . . . .	1	
	419-963-AB60	.KIT, SHIM . . . . .	1	
4	NSS	..SHIM, .010" . . . . .	2	
5	NSS	..SHIM, .015" . . . . .	2	
6	NSS	..SHIM, .050" . . . . .	2	
7	425-963-A250	BUSHING . . . . .	1	
	01010-50835	BOLT . . . . .	1	
	01643-30823	WASHER . . . . .	2	
	01580-10806	NUT . . . . .	1	
8	01011-51030	BOLT, TENSION ADJUSTMENT . . . . .	1	
9	01643-31032	WASHER . . . . .	2	
10	01598-11011	NUT . . . . .	1	
11	425-963-A460	WIRE, COMPRESSOR . . . . .	1	
12	421-963-A210	BELT, A.C. COMPRESSOR . . . . .	1	

---

AIR CONDITIONER  
COMPRESSOR (FOR WA320-3, WA380-3, AND WA420-3)

---



L13EM004

---

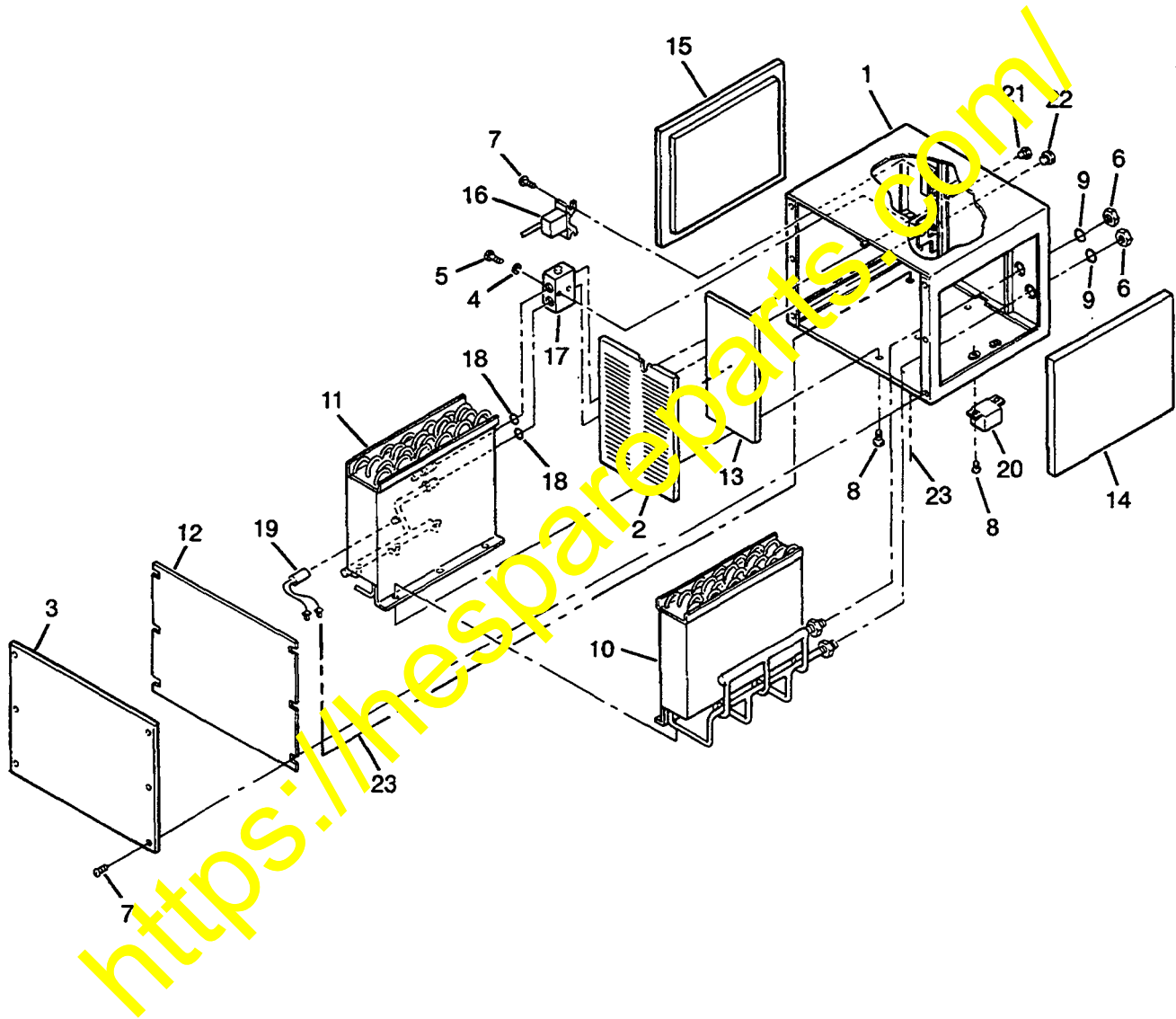
AIR CONDITIONER  
COMPRESSOR (FOR WA320-3, WA380-3, AND WA420-3)

---

Item	Part Number	Description	Qty.	Ref.
	417-963-A290	COMPRESSOR ASSEMBLY, REFRIGERANT . . . . .	1	
1	NSS	.COMPRESSOR, REFRIGERANT - R134A . . . . .	1	
2	419-963-AB40	.HEAD, CYLINDER . . . . .	1	
3	NSS	.SCREW, CYLINDER HEAD . . . . .	5	

<https://hespareparts.com/>

AIR CONDITIONER  
COIL BOX



L13FD081

AIR CONDITIONER  
COIL BOX

Item	Part Number	Description	Qty.	Ref.
	419-963-A100	BOX ASSEMBLY, COIL - AIR CONDITIONER AND HEATER .	1	
1	419-942-A470	.BOX, COIL - AIR CONDITIONER AND HEATER . . . . .	1	
2	419-942-A420	.BRACKET, COIL . . . . .	1	
3	419-942-A410	.COVER, COIL BOX . . . . .	1	
4	416-942-A980	.WASHER, 1/4" LOCK . . . . .	2	F1
5	NSS	.BOLT, M6 X 1 . . . . .	2	F1
6	NSS	.NUT, BULKHEAD . . . . .	2	F1
7	418-T42-A390	.SCREW, #10-32 . . . . .	8	F1
8	418-T42-A470	.SCREW, 1/4 . . . . .	5	F1
9	NSS	.O-RING . . . . .	2	F1
10	419-942-A540	.COIL, HEAT . . . . .	1	
11	419-963-AA40	.COIL, EVAPORATOR . . . . .	1	
12	NSS	.FOAM, COIL COVER . . . . .	1	F2
13	NSS	.FOAM, DRAIN PAN . . . . .	1	F2
14	NSS	.FOAM, FAN SIDE . . . . .	1	F2
15	NSS	.FOAM, FILTER SIDE . . . . .	1	F2
16	425-963-AB50	.SWITCH, THERMOSTAT . . . . .	1	
17	1303 672 H1	.VALVE, EXPANSION . . . . .	1	
18	1434 308 H1	.O-RING . . . . .	2	
19	1432 111 H1	.SWITCH, LOW PRESSURE . . . . .	1	
20	425-963-AA90	.RELAY, AIR CONDITIONER . . . . .	1	
21	416-942-A940	.PLUG . . . . .	1	
22	416-942-A450	.PLUG . . . . .	1	
23	419-963-AA50	.HARNES, AIR CONDITIONER . . . . .	1	
	419-942-A500	KIT, HARDWARE . . . . .	1	
	419-942-A400	KIT, FOAM . . . . .	1	

F1 - INCLUDED IN HARDWARE KIT 419-942-A500.

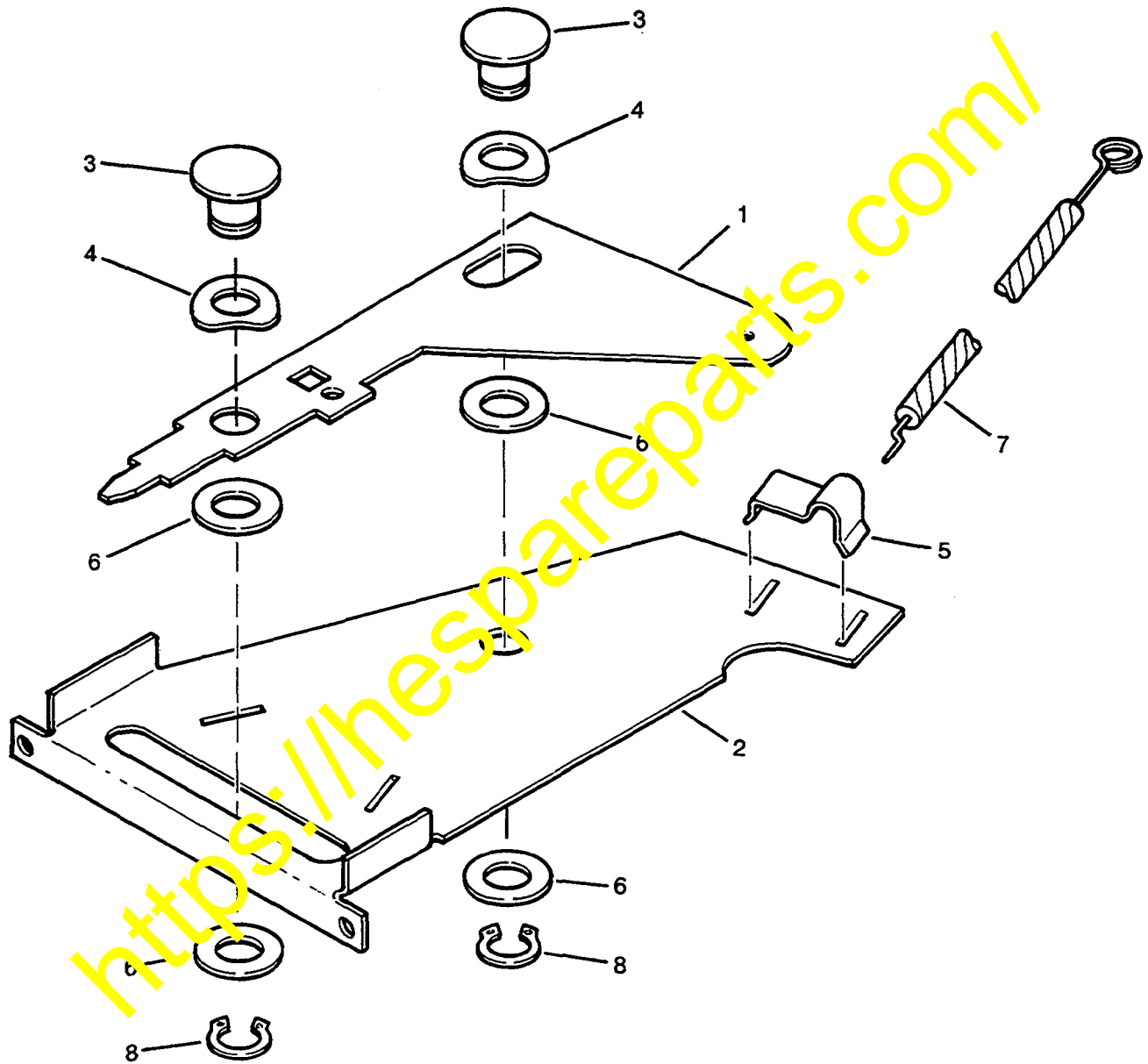
F2 - INCLUDED IN FOAM KIT 419-942-A400.



AIR CONDITIONER  
FAN BOX ASSEMBLY

Item	Part Number	Description	Qty.	Ref.
	419-963-A130	BOX ASSEMBLY, FAN . . . . .	1	
1	419-963-A700	.BOX, FAN . . . . .	1	
2	419-963-A670	.COVER, OUTSIDE . . . . .	1	
3	419-963-A690	.PLATE, GLOVE BOX . . . . .	1	
4	418-T42-A380	.HOSE, FLEX . . . . .	2	
5	419-963-A710	.COVER, BACK . . . . .	1	
6	1434 987 H1	.FOAM, SWITCH SEAL . . . . .	1	
7	416-942-A340	.ADAPTER, FLEX HOSE . . . . .	3	
8	416-942-A280	.LOUVER, FLUSH . . . . .	2	
9	416-942-A290	.MOUNT, PANEL . . . . .	2	
10	419-963-A740	.DECAL, AIR CONTROL . . . . .	1	
11	419-963-A750	.KNOB, SLIDER CONTROL . . . . .	1	
12	419-963-A760	.HARNES, BLOWER FAN . . . . .	1	
	419-963-A820	.FAN KIT, BLOWER - REAR . . . . .	1	
13	NSS	..BRACKET, REAR FAN . . . . .	1	
14	NSS	..SCREW . . . . .	5	
15	NSS	..WASHER, LOCK - #10 . . . . .	5	
16	NSS	..MOTOR, FAN UNIT . . . . .	1	
17	425-963-AE90	.FOAM, 16" LONG . . . . .	1	
18	419-963-A840	.FAN KIT, BLOWER - FRONT . . . . .	1	
19		.SLIDE, INSIDE AIR SELECTOR (SEE PG 17) . . . . .	1	
	419-963-A720	.KIT, HARDWARE . . . . .	1	
20	NSS	..CLAMP, 2.75" . . . . .	3	
21	NSS	..BOLT, M6 . . . . .	8	
22	NSS	..WASHER, 1/4" LOCK . . . . .	8	
23	NSS	..SCREW, #10 - TRUSS . . . . .	4	
24	NSS	..SCREW, 5/16" . . . . .	6	
25	NSS	..NUT, M3 X .50" - LOCK . . . . .	2	
26	NSS	..PLUG, 3/8" . . . . .	3	

SLIDE ASSEMBLY  
INSIDE AIR SELECTOR



L13EZ048



SLIDE ASSEMBLY  
INSIDE AIR SELECTOR

Item	Part Number	Description	Qty.	Ref.
	419-963-A790	SLIDE ASSEMBLY, INSIDE AIR SELECTOR . . . . .	1	
1	20Y-977-A320	.LEVER, AIR CIRCULATOR . . . . .	1	
2	419-963-A800	.BRACKET, AIR CIRCULATOR . . . . .	1	
3	NSS	.PIN, RETAINER . . . . .	2	F1
4	NSS	.WASHER, SPRING . . . . .	2	F1
5	NSS	.CLIP, CABLE RETAINER . . . . .	1	F1
6	NSS	.WASHER, NYLON . . . . .	4	F1
7	419-963-A830	.CABLE, SELECTOR . . . . .	1	
8	NSS	.CLIP, RETAINER . . . . .	2	
	418-963-A810	.KIT, HARDWARE . . . . .	1	

F1 - INCLUDED IN HARDWARE KIT 419-963-A810.



---

 AIR CONDITIONER  
 FILTER BOX
 

---

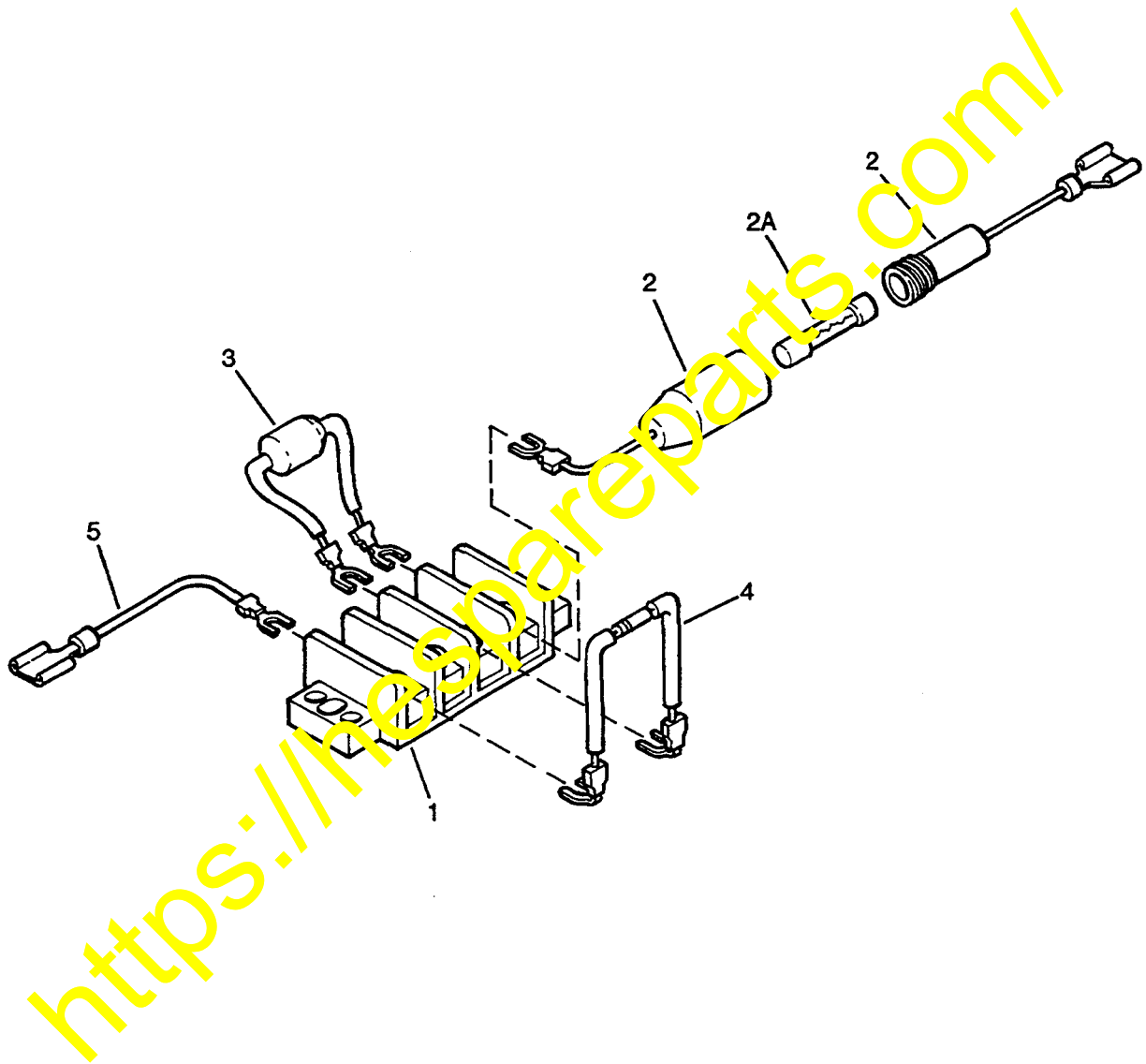
Item	Part Number	Description	Qty.	Ref.
	419-963-A140	BOX ASSEMBLY, FILTER . . . . .	1	
1	419-963-A850	.BOX, FILTER . . . . .	1	
2	419-963-A860	.COVER, FILTER . . . . .	1	
3	419-963-A870	.TRAY, FILTER . . . . .	1	
	419-963-A900	.KIT, HARDWARE . . . . .	1	
4	NSS	..RECEPTACLE, CLIP . . . . .	2	
5	NSS	..RETAINER, SNAP CLIP . . . . .	2	
6	NSS	..SCREW, #10 - TRUSS . . . . .	2	
7	NSS	..STUD, 1/4 - AJW HEAD . . . . .	2	
8	NSS	..LATCH, SNAP . . . . .	2	
9	NSS	..CLIP, CABLE RETAINER . . . . .	1	
10	425-963-AC40	.FILTER, FRESH AIR . . . . .	1	
11	419-963-A910	.FILTER, RECIRCULATED AIR - ELECTROSTATIC . . . . .	1	
12		.RESISTOR, DIODE, AND FUSE (SEE PG 21) . . . . .	1	
13	425-963-AE80	.FOAM, CUT 20" . . . . .	1	

<https://hespareparts.com/>

---

AIR CONDITIONER  
RESISTOR, DIODE, AND FUSE ASSEMBLY

---



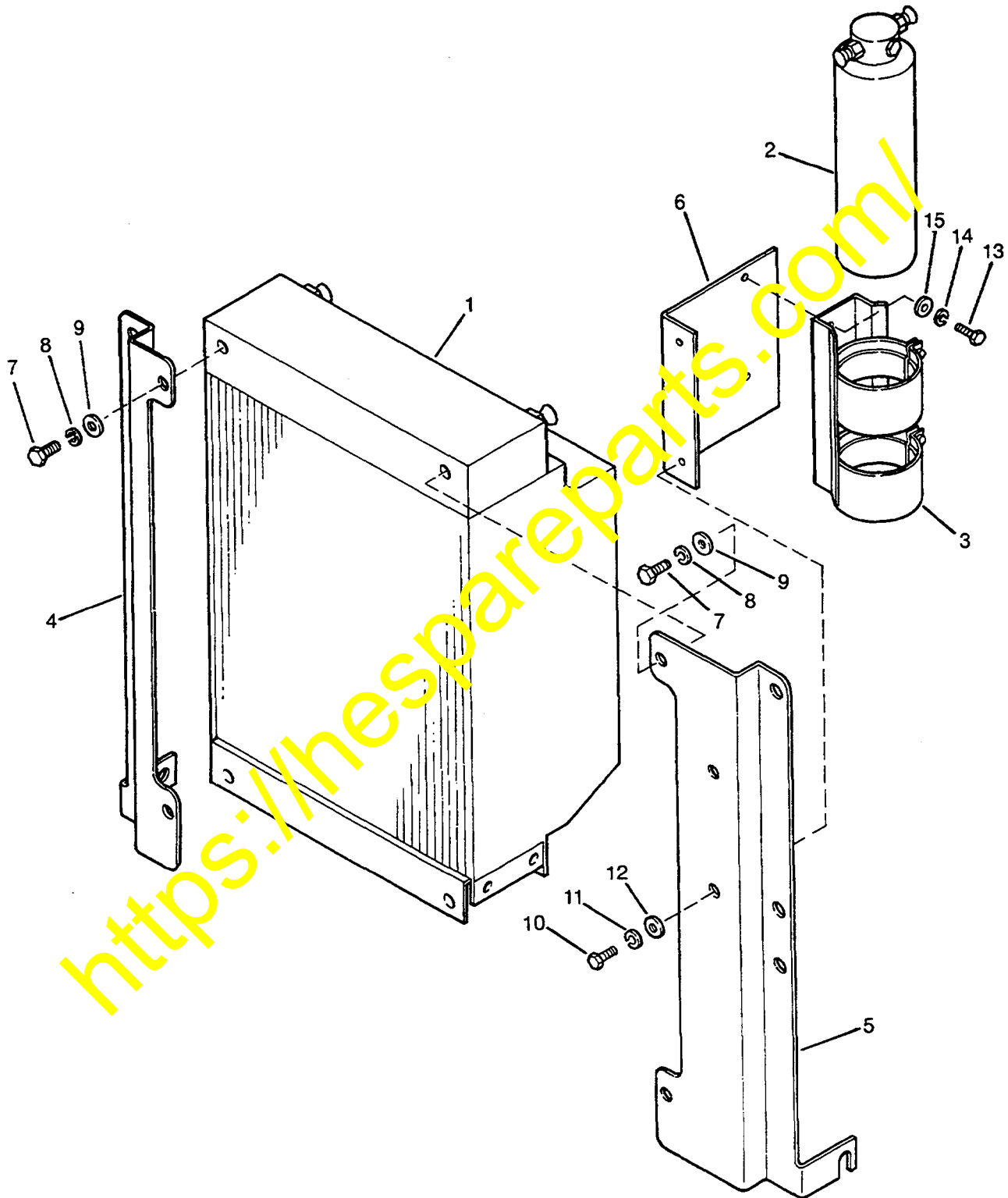
**L08ZZ122**

AIR CONDITIONER  
RESISTOR, DIODE, AND FUSE ASSEMBLY

Item	Part Number	Description	Qty.	Ref.
	419-963-A920	RESISTOR, DIODE, AND FUSE ASSEMBLY . . . . .	1	
1	1432 898 H1	.BLOCK, TERMINAL - 4 CIRCUIT, 30 amp . . . . .	1	
2	419-963-A940	.FUSE ASSEMBLY, IN-LINE . . . . .	1	
2A	419-963-A950	..FUSE, 1 amp . . . . .	1	
3	1431 251 H1	.DIODE ASSEMBLY . . . . .	1	
4	419-963-A930	.RESISTOR ASSEMBLY . . . . .	1	
5	419-963-A960	.WIRE, CONSTANT POWER - 24" RED . . . . .	1	
	419-963-A900	HARDWARE KIT . . . . .	1	

<https://hespareparts.com/>

AIR CONDITIONER  
CONDENSER AND MOUNTING (WA320-3)

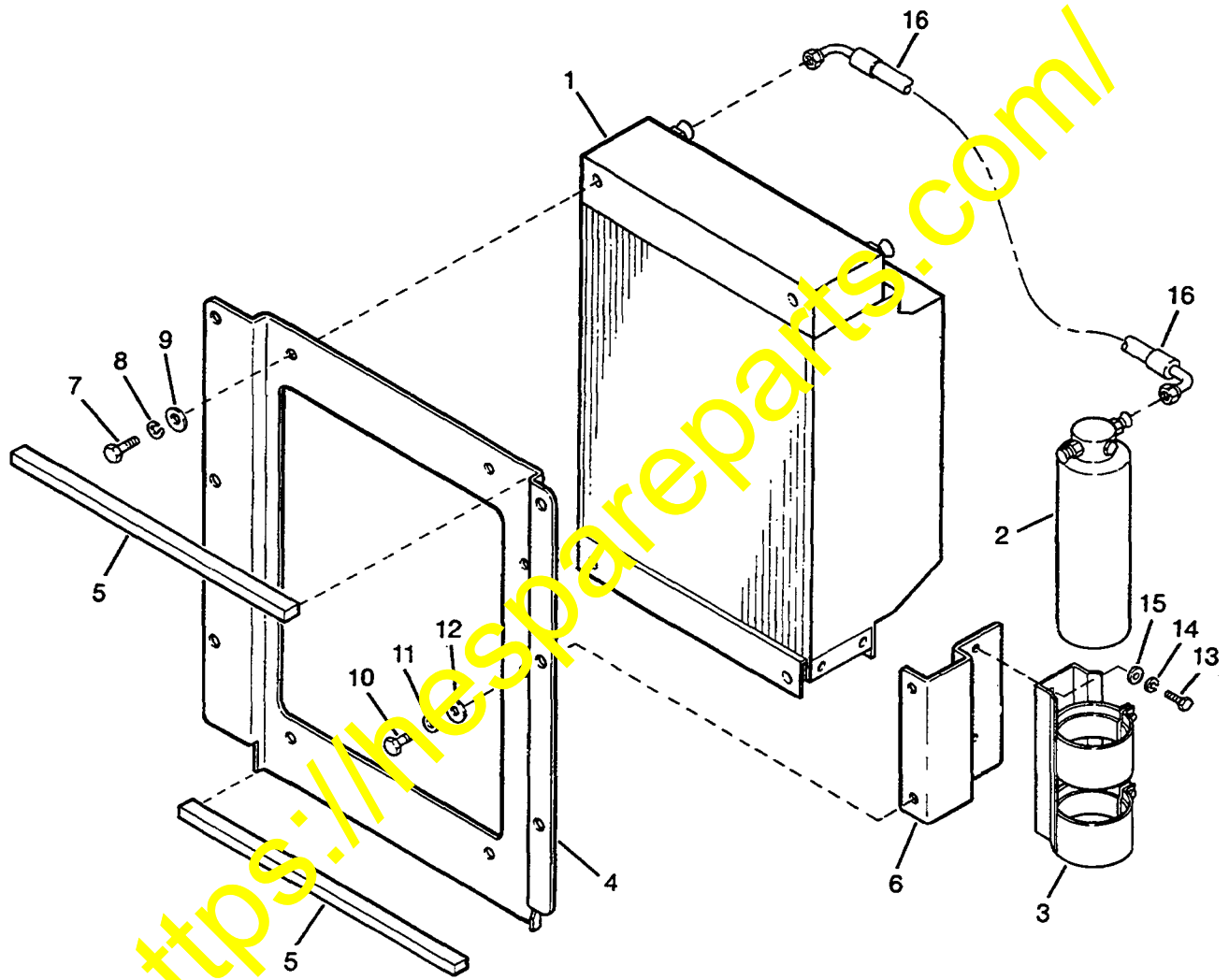


L13FD079

**AIR CONDITIONER**  
CONDENSER AND MOUNTING (WA320-3)

Item	Part Number	Description	Qty.	Ref.
	419-963-AA80	CONDENSER KIT . . . . .	1	
1		.CONDENSER ASSEMBLY (SEE PG 29) . . . . .	1	
2	418-963-A080	.DRYER, RECOVERY . . . . .	1	
3	419-963-A220	.BRACKET, DRYER . . . . .	1	
4	419-963-A260	.BRACKET, L.H. - CONDENSER . . . . .	1	
5	419-963-A250	.BRACKET, R.H. - CONDENSER . . . . .	1	
6	419-963-A230	.BRACKET, DRYER . . . . .	1	
	419-963-AA90	.KIT, MOUNTING HARDWARE . . . . .	1	
7	NSS	..BOLT, 3/8 X 1 . . . . .	4	
8	NSS	..WASHER, 3/8 - LOCK . . . . .	4	
9	NSS	..WASHER, 3/8 - FLAT . . . . .	4	
10	NSS	..BOLT, M10 X 1.5 X 25MM . . . . .	2	
11	NSS	..WASHER, M10 - LOCK . . . . .	2	
12	NSS	..WASHER, M10 - FLAT . . . . .	2	
13	NSS	..BOLT, M8 X 1.5 X 25MM . . . . .	2	
14	NSS	..WASHER, M8 - LOCK . . . . .	2	
15	NSS	..WASHER, M8 - FLAT . . . . .	2	

AIR CONDITIONER  
CONDENSER AND MOUNTING (WA380-3)



<https://mespareparts.com/>

L13FD082

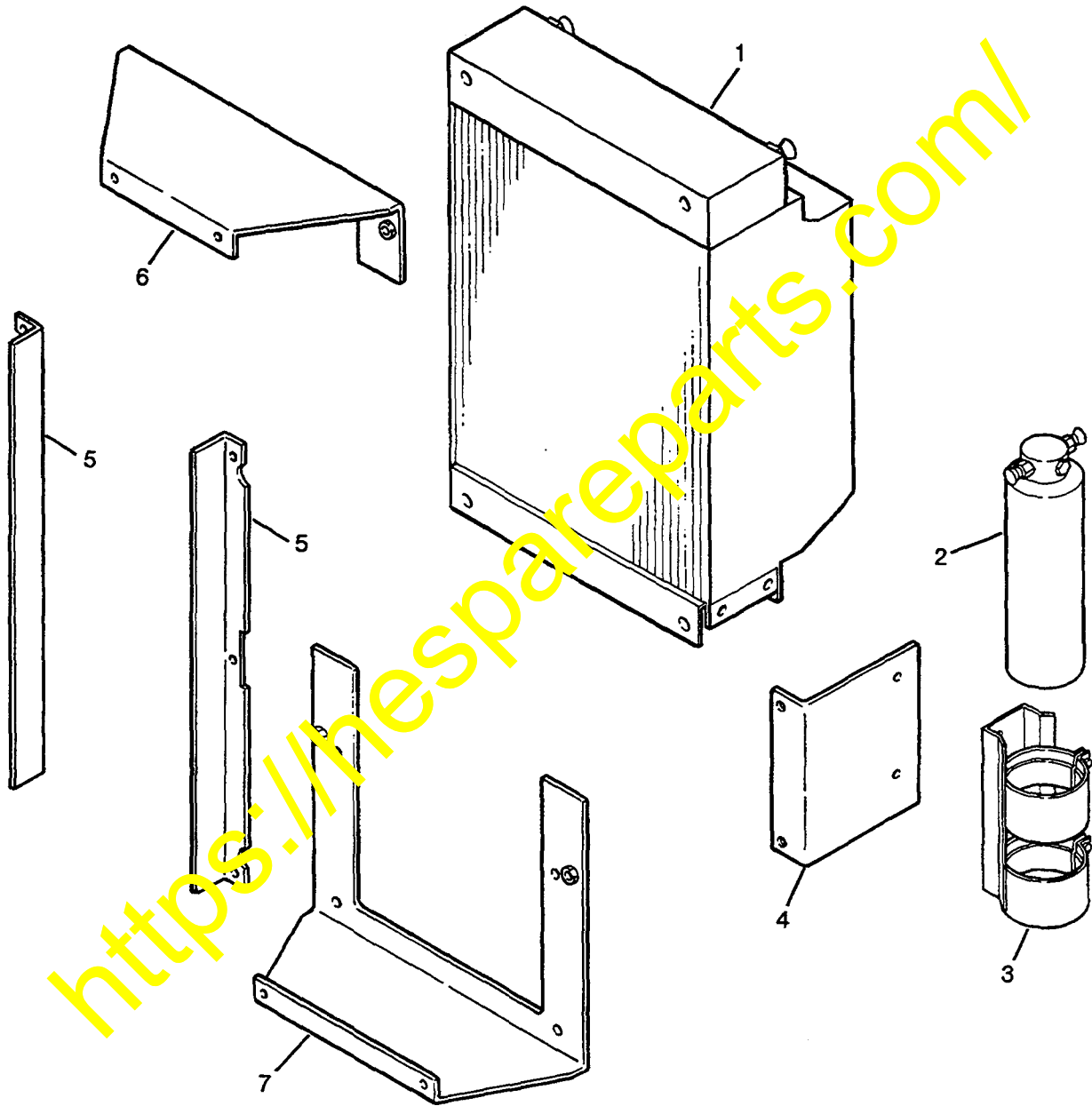


AIR CONDITIONER  
CONDENSER AND MOUNTING (WA380-3)

Item	Part Number	Description	Qty.	Ref.
	423-963-A660	CONDENSER KIT . . . . .	1	
1		.CONDENSER ASSEMBLY (SEE PG 29) . . . . .	1	
2	418-963-A080	.DRYER, RECOVERY . . . . .	1	
3	419-963-A220	.BRACKET, DRYER . . . . .	1	
4	423-963-A690	.BRACKET, CONDENSER . . . . .	1	
5		.SEAL, FOAM - CUT 30" LONG . . . . .	2	F1
6	423-963-A700	.BRACKET, DRIER . . . . .	1	
	419-963-AA90	.HARDWARE KIT . . . . .	1	
7	NSS	..BOLT, 3/8nc X 1 . . . . .	4	
8	NSS	..WASHER, 3/8 - LOCK . . . . .	4	
9	NSS	..WASHER, 3/8 - FLAT . . . . .	4	
10	NSS	..BOLT, M10 X 25mm . . . . .	2	
11	NSS	..WASHER, M10 - LOCK . . . . .	2	
12	NSS	..WASHER, M10 - FLAT . . . . .	2	
13	NSS	..BOLT, M8 X 25mm . . . . .	2	
14	NSS	..WASHER, M8 - LOCK . . . . .	2	
15	NSS	..WASHER, M8 - FLAT . . . . .	2	
16		.HOSE W/HIGH PRESSURE SWITCH (SEE PG 5) . . . . .	1	
	419-963-A530	.SEAL, FOAM - 3/4" X 1/2" X 108" . . . . .	1	

F1 - CUT FROM FOAM SEAL 419-963-A530.

AIR CONDITIONER  
CONDENSER AND MOUNTING (WA420-3 AND WA450-3)

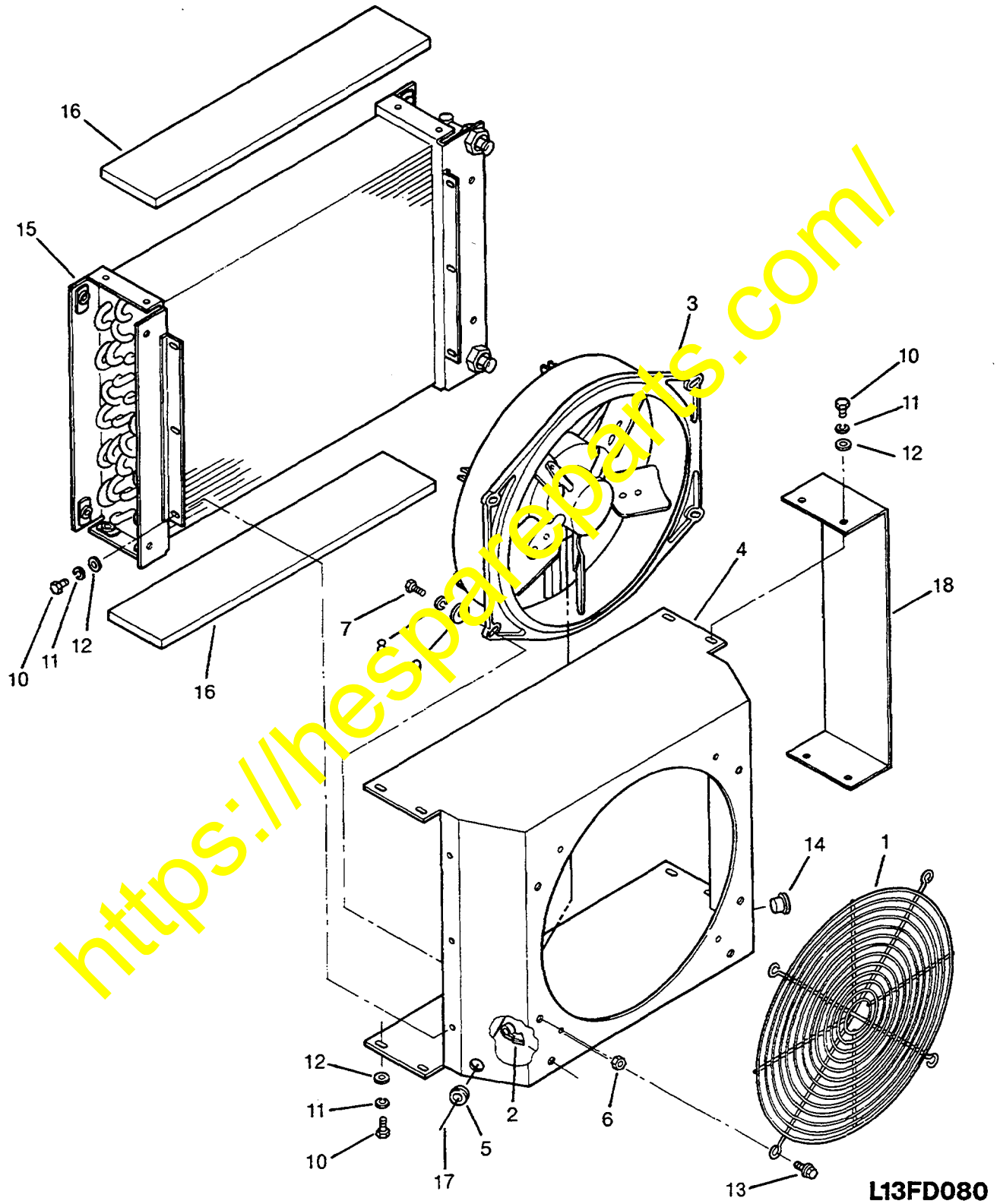


L13FD083

AIR CONDITIONER  
CONDENSER AND MOUNTING (WA420-3 AND WA450-3)

Item	Part Number	Description	Qty.	Ref.
	424-963-A650	CONDENSER KIT . . . . .	1	
1		.CONDENSER ASSEMBLY (SEE PG 29) . . . . .	1	
	424-963-A700	.DRYER ASSEMBLY, RECOVERY . . . . .	1	
2	418-963-A080	..DRYER, RECOVERY . . . . .	1	
3	419-963-A220	..BRACKET, DRYER TANK . . . . .	1	
4	424-963-A710	..BRACKET, DRYER MOUNTING . . . . .	1	
	30 003 R1	..BOLT, M8 X 25mm . . . . .	1	
	934 309 R1	..WASHER, M8 - LOCK . . . . .	2	
	30 175 R1	..WASHER, M8 - FLAT . . . . .	2	
5	424-963-A670	.BRACKET, AIR SEAL . . . . .	2	
6	424-963-A680	.BRACKET, TOP - CONDENSER MOUNT . . . . .	1	
7	424-963-A690	.BRACKET, BOTTOM - CONDENSER MOUNT . . . . .	1	
	424-963-A720	.KIT, MOUNTING HARDWARE . . . . .	1	
	NSS	..BOLT, M12 . . . . .	10	
	NSS	..WASHER, M12 - LOCK . . . . .	10	
	NSS	..WASHER, M12 - FLAT . . . . .	10	
	NSS	..BOLT, M10 . . . . .	4	
	NSS	..WASHER, M10 - LOCK . . . . .	4	
	NSS	..WASHER, M10 - FLAT . . . . .	4	

AIR CONDITIONER  
CONDENSER ASSEMBLY



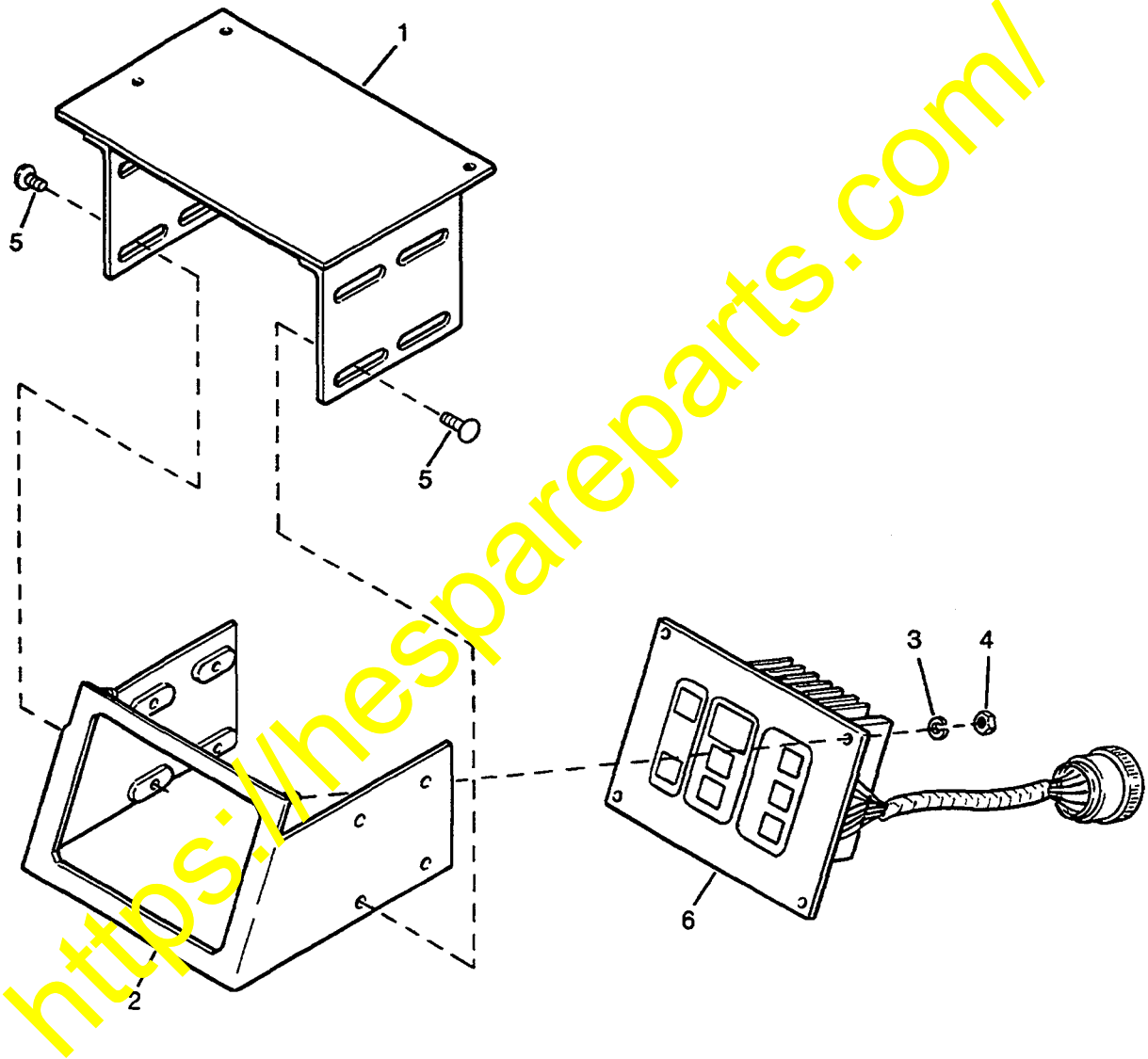
<https://hespareparts.com/>

L13FD080

AIR CONDITIONER  
CONDENSER ASSEMBLY

Item	Part Number	Description	Qty.	Ref.
	419-963-A240	CONDENSER ASSEMBLY, AIR CONDITIONER . . . . .	1	
1	425-963-AC50	.GUARD, FINGER . . . . .	1	
2	425-963-A820	.ANCHOR, HOLD TIE . . . . .	1	
3	425-963-AD80	.FAN AND MOTOR ASSEMBLY . . . . .	1	
4	425-963-A650	.HOUSING, MAIN . . . . .	1	
	419-963-AB10	.KIT, ASSEMBLY HARDWARE . . . . .	1	
5	NSS	..GROMMET . . . . .	1	
6	NSS	..NUT, ACORN . . . . .	4	
7	NSS	..BOLT, M8 . . . . .	4	
8	NSS	..WASHER, M8 - LOCK . . . . .	4	
9	NSS	..WASHER, M8 - FLAT . . . . .	4	
10	NSS	..BOLT, M6 . . . . .	14	
11	NSS	..WASHER, 1/4" - LOCK . . . . .	14	
12	NSS	..WASHER, 3/16" - FLAT . . . . .	14	
13	NSS	..BOLT, 1/4 X 1/2" . . . . .	4	
14	NSS	..PLUG, 9/16" . . . . .	1	
15	425-963-AC30	.COIL, CONDENSER . . . . .	1	
16	425-963-A580	.FOAM, COIL SEAL . . . . .	2	
17	419-963-AB30	.HARNESS, CONDENSER . . . . .	1	
18	419-963-AB20	.PLATE, END . . . . .	1	

AIR CONDITIONER  
CONTROLLER ASSEMBLY



**L13ZZ014**

AIR CONDITIONER  
CONTROLLER ASSEMBLY

Item	Part Number	Description	Qty.	Ref.
	419-963-A650	CONTROLLER ASSEMBLY, AIR CONDITIONER / HEATER . .	1	
1	419-963-A490	.BRACKET, TOP . . . . .	1	
2	419-963-A280	.BRACKET, CONTROLLER . . . . .	1	
	419-963-A510	.HARDWARE KIT . . . . .	1	
3	NSS	..WASHER, #8 - LOCK . . . . .	4	
4	NSS	..NUT, #8 . . . . .	4	
5	418-T42-A470	..SCREW, TROX .25 . . . . .	8	
6	419-963-A270	.CONTROLLER, MEMBRANE . . . . .	1	
	419-963-A950	..FUSE, IN-LINE - 1 amp (WHITE) . . . . .	1	
	419-963-A950	..FUSE, IN-LINE - 1 amp (YELLOW) . . . . .	1	
	N/A	..FUSE, IN-LINE - 5 amp (GREEN) . . . . .	1	
	N/A	..FUSE, IN-LINE - 25 amp (ORANGE) . . . . .	1	

<https://hespareparts.com/>

<https://hespareparts.com/>