

# PARTS & SERVICE NEWS

REF NO.	AA00019
DATE	January 25, 2000

**SUBJECT:** MUFFLER BRACKET AND SUPPORT BAND

**PURPOSE:** Improved muffler bracket and band to prevent cracking

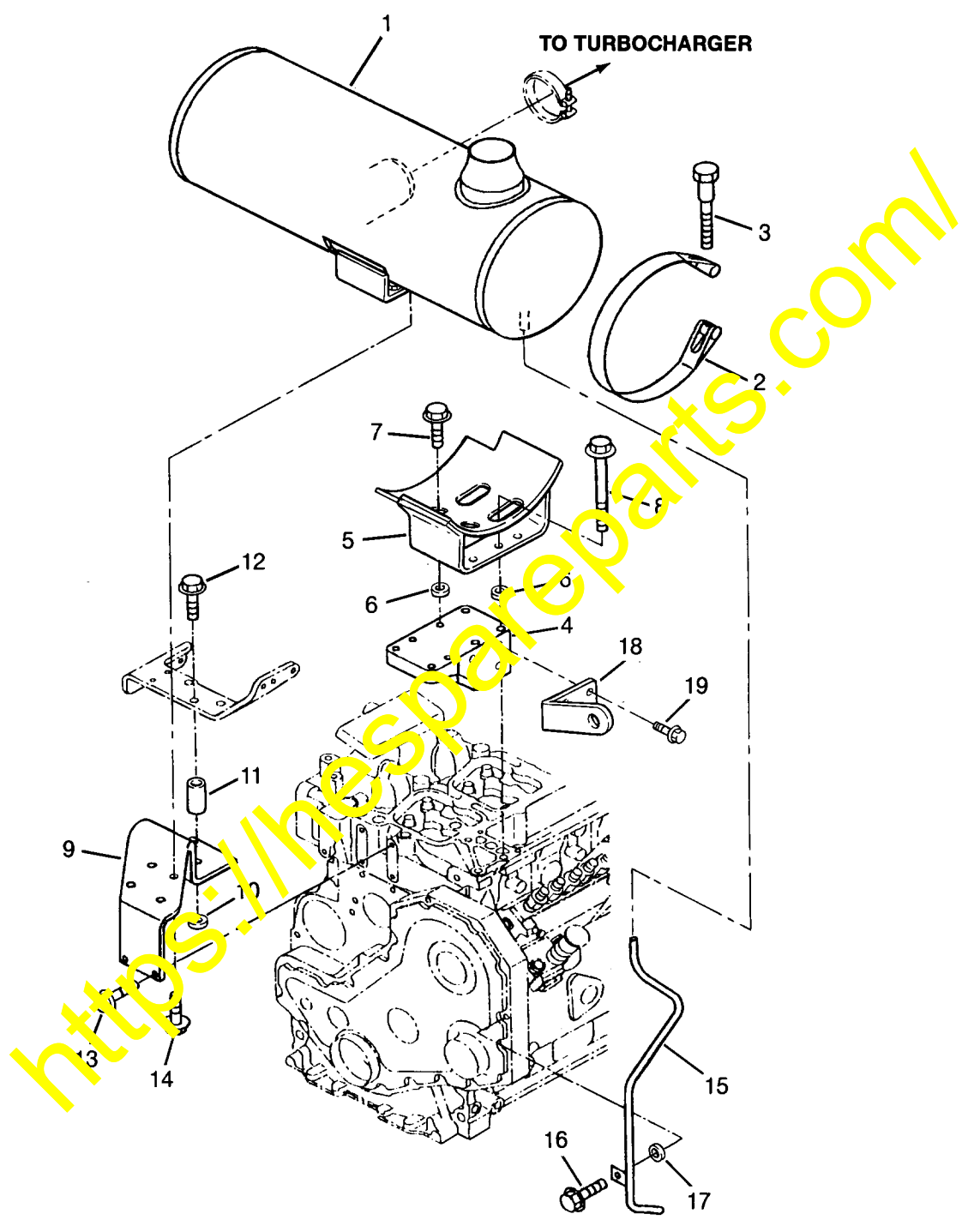
**APPLICATION:** WA180-3L Wheel Loader Serial Number A80375 and UP  
WA180-3PTC Wheel Loader Serial Number A85098 and UP

**FAILURE CODE:** A1TB37

**DESCRIPTION:** Release new muffler bracket and support band to prevent cracking of the band.

## PARTS LIST

Item	New Part Number	Description	Qty	Old Part Number
2	6732-11-5711	BAND ASSEMBLY	1	6732-11-5710
	6691-21-6550	PIN, BAND	1	6110-11-4520
	6691-11-6560	PIN, BAND WITH SCREW	1	6110-11-4530
3	6643-11-4641	BOLT, BAND	1	
5	417-02-A1321	BRACKET	1	6732-11-5340
7	01435-01035	BOLT	1	
8	01436-01015	BOLT	3	



B0000W00.70P