

# PARTS & SERVICE NEWS

REF NO.	AA00026
DATE	January 25, 2000

**SUBJECT:** BATTERY TERMINAL PARTS

**PURPOSE:** Add battery terminal parts missing from parts book.

**APPLICATION:** WA180-3L Wheel Loader Serial Number A80001 and UP  
 WA180-3PTC Wheel Loader Serial Number A85001 and UP  
 WA250-3L Wheel Loader Serial Number A70001 and UP  
 WA250-3PTC Wheel Loader Serial Number A75001 and UP

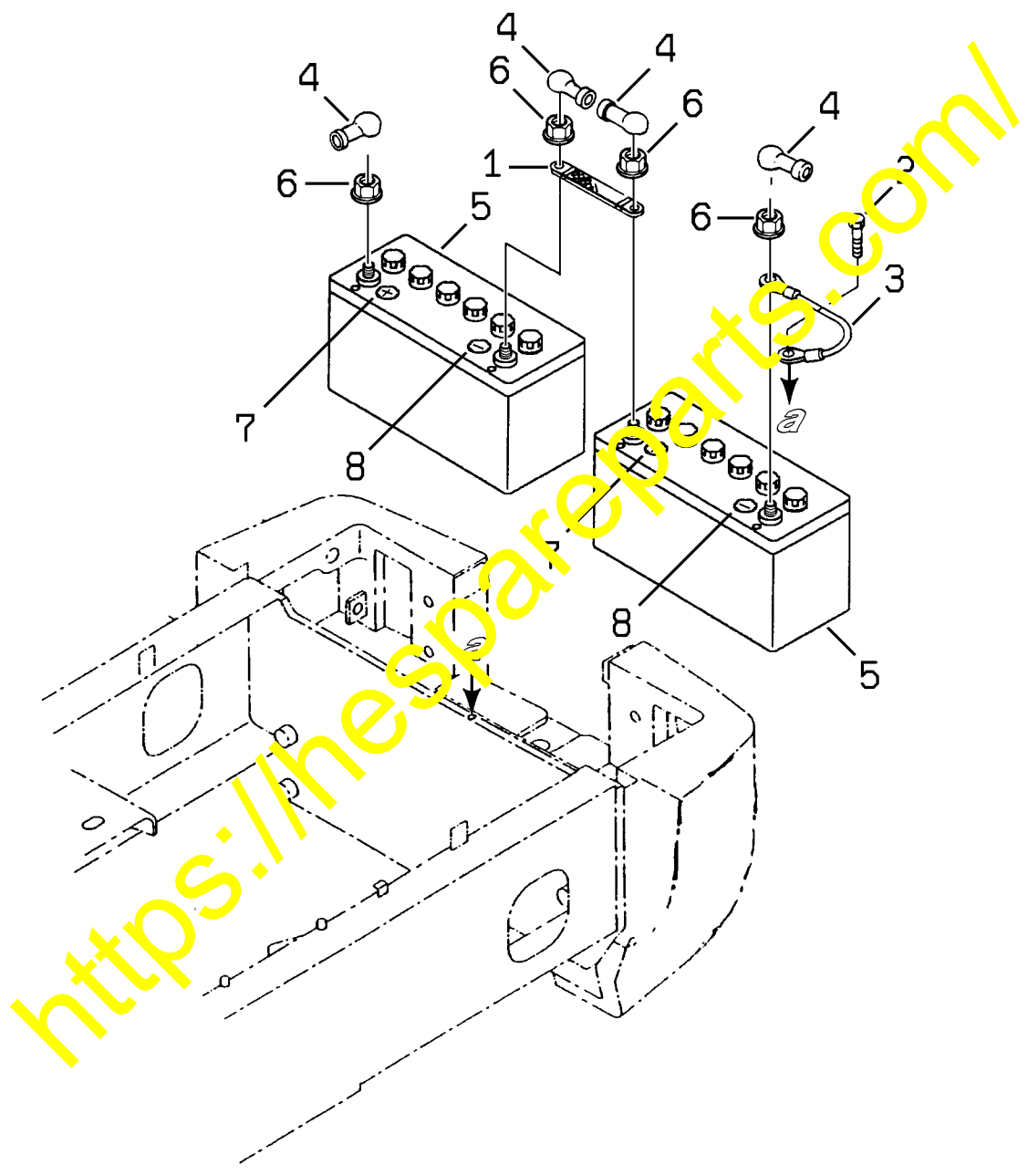
**FAILURE CODE:** D61299

**DESCRIPTION:** Release this Parts and Service News to identify missing battery terminal parts to field and update parts books.

**PARTS LIST**

Item	Part Number	Description	Qty	Remarks
7	417-93-A1320	DECAL, POSITIVE TERMINAL	2	
8	417-93-A1330	DECAL, NEGATIVE TERMINAL	2	
	417-93-A1340	DECAL, INSTALLATION DWG.	1	

<https://hespartsparts.com/>



E0110W00.30P