

# PARTS & SERVICE NEWS

REF NO.	AA00049
DATE	March 30, 2000

**SUBJECT:** FUEL INJECTION PUMP FOR M11 ENGINE FOR SPECIFIC APPLICATIONS (CALIBRATED FUEL PUMP PART NUMBERS)

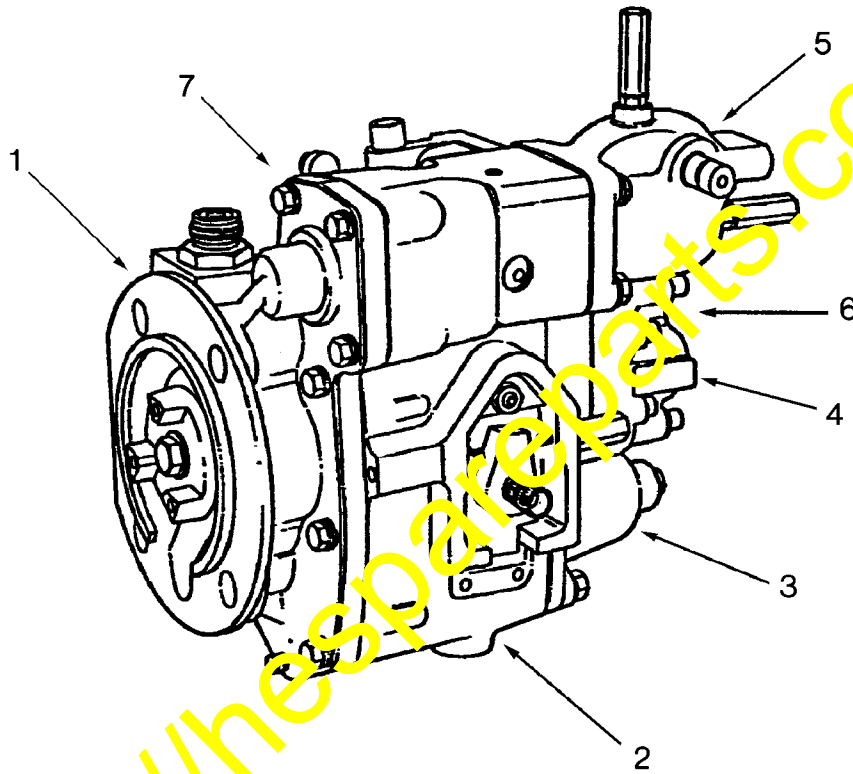
**PURPOSE:** To inform field personnel of new part number for fuel pump with calibration for specific machines

**APPLICATION:** TD-20G Crawler Tractor, S/N P051396 and up  
WA450-3L Wheel Loader, S/N A30001 and up

**FAILURE CODE:** A70099

**DESCRIPTION:**

<https://hespareparts.com/>



E4AO0039

## TD20G Crawler Tractor

Serial Number P051396 and up

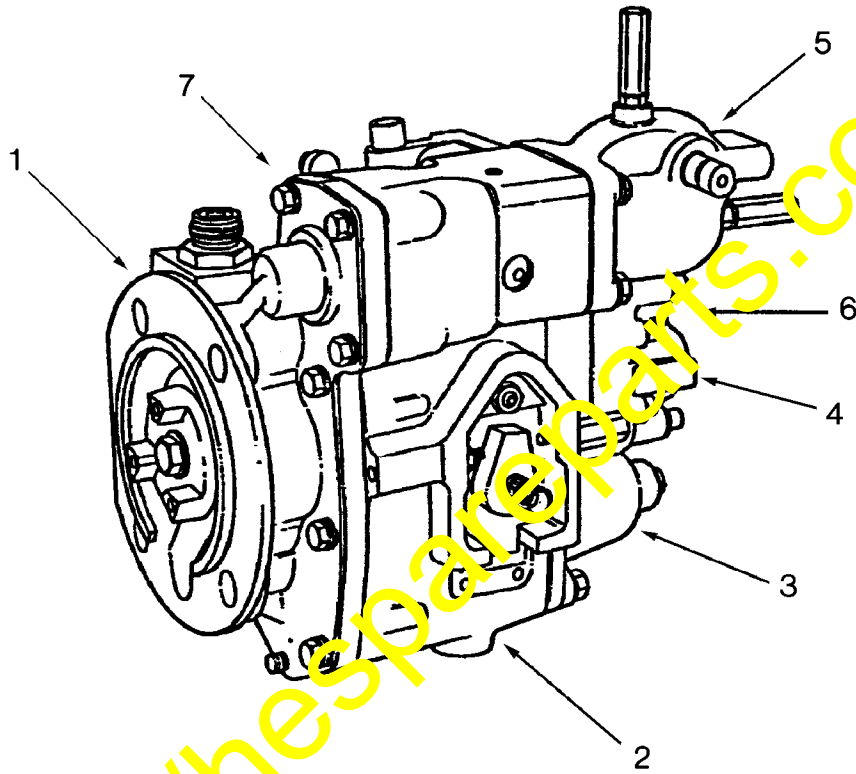
### FUEL PUMP (with calibration)

Item	Part No.	Description	Qty	Wt.	Page
	1308 446 H91	Assembly, Fuel Pump	1	R1	
1		. Front Cover			01-084
2		. Housing			01-088
3		. Pack, Governor Spring			01-092
4		. Assembly, Gear			01-094
5		. Pack, VS spring			01-096
6		. Damper			01-098
7		. Assembly, AFC			01-100

R1 - remanufactured assembly available; refer to remanufactured assemblies catalog

Refer to Parts book for the individual part numbers and page numbers referenced above.

<https://hespareparts.com/>



E4AO0039

## WA450-3L WHEEL LOADER

Serial Number A30001 and up

### FUEL PUMP (with calibration)

Item	Part No.	Description	Qty	Wt.	Page
	1308 415 H91	Assembly, Fuel Pump	1	R1	
1		. Front Cover			E4-016
2		. Housing			E4-012
3		. Pack, Governor Spring			E4-024
4		. Assembly, Gear			E4-020
5		. Pack, VS spring			E4-022
6		. Damper			E4-026
7		. Assembly, AFC			E4-028

Refer to Parts book for the individual part numbers and page numbers referenced above.

<https://hespareparts.com/>