

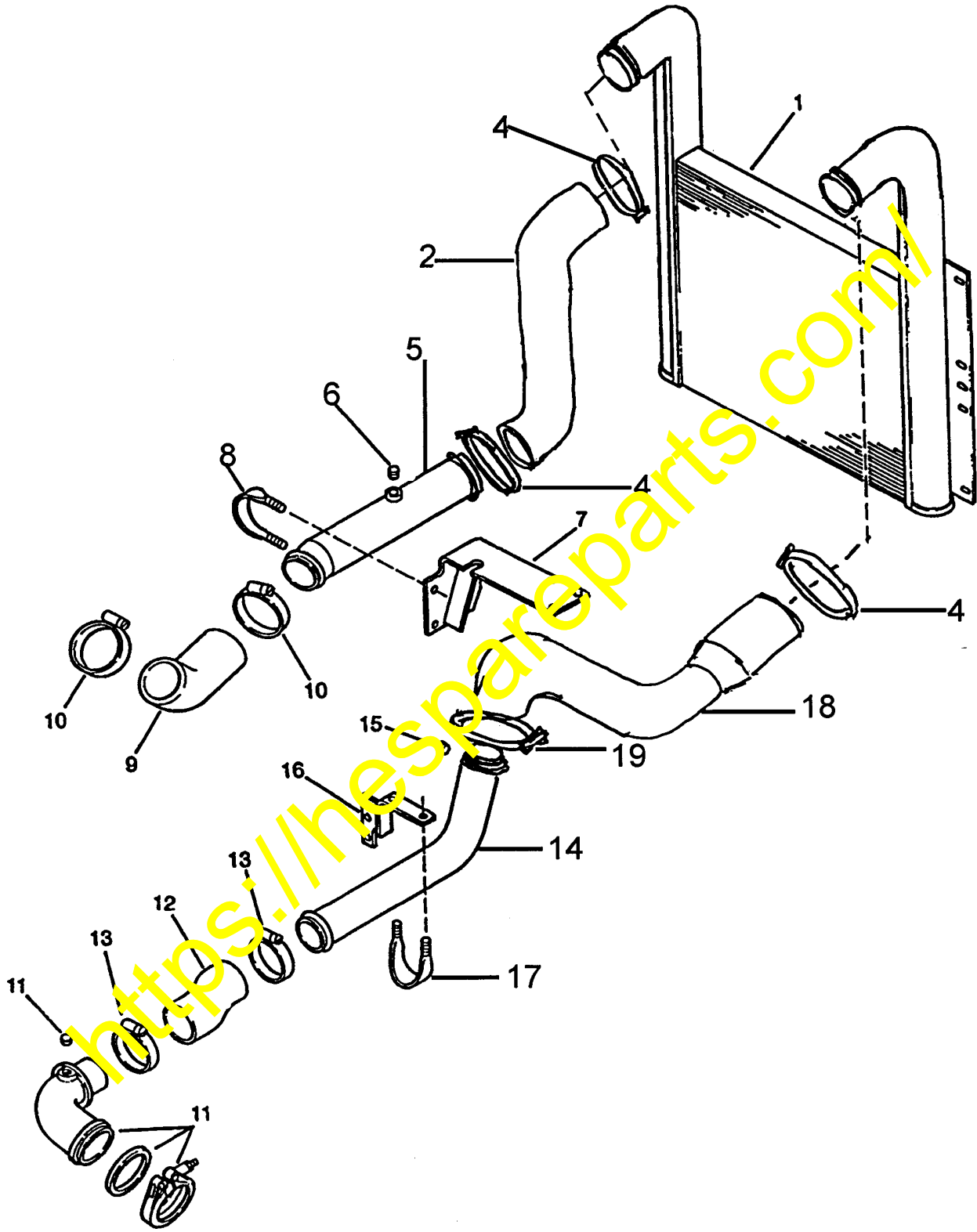
PARTS & SERVICE NEWS

REF NO.	AA00055
DATE	April 17, 2000

SUBJECT: REVISED AFTERCOOLER, RADIATOR AND RELATED PIPING
PURPOSE: To inform the field of improvements
APPLICATION: WA420-3L Wheel Loader, S/N A30104 and up
FAILURE CODE: 030099
DESCRIPTION:

<https://hespareparts.com/>

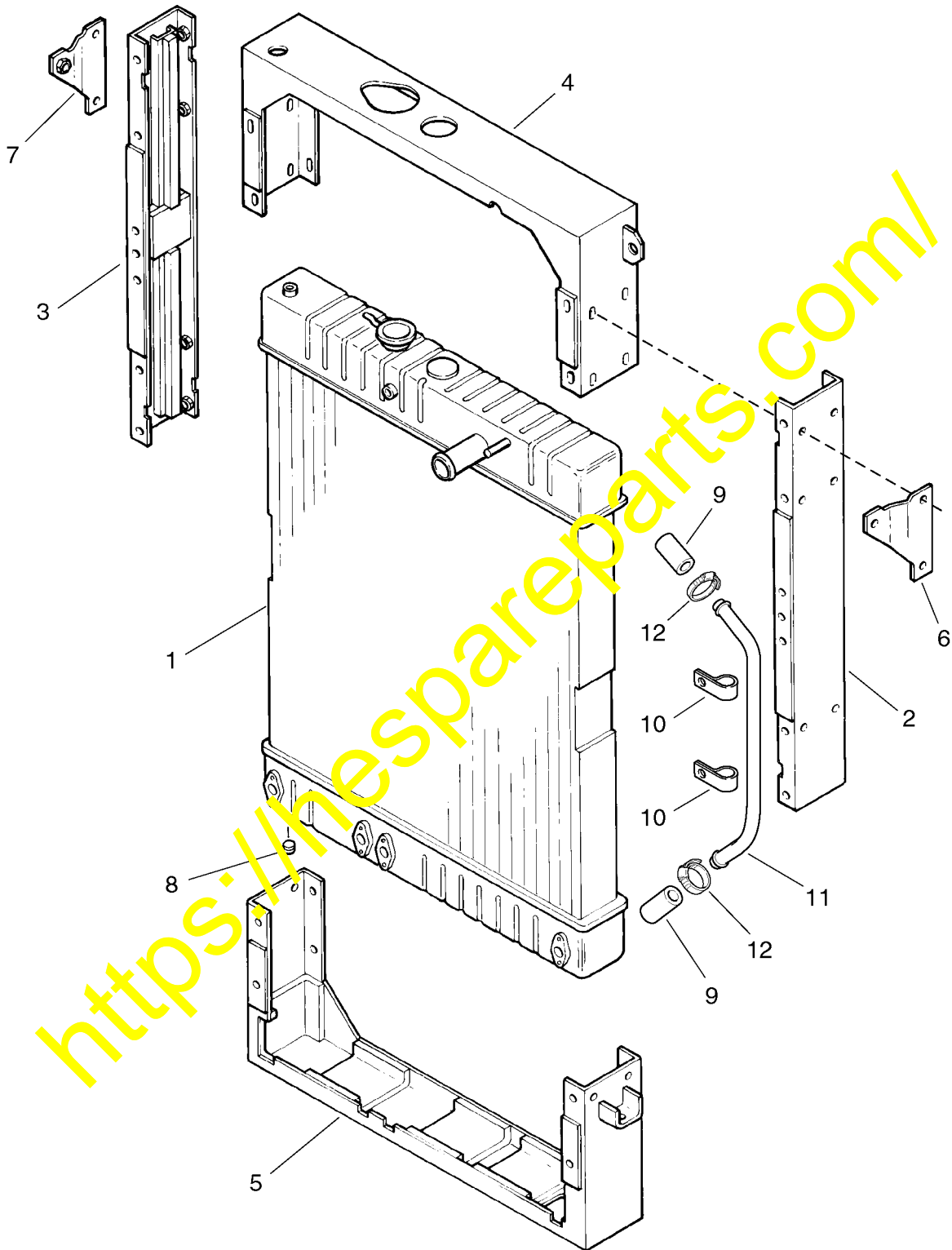
ENGINE AFTERCOOLER AND PIPING



ENGINE AFTERCOOLER AND PIPING

ITEM	PART NUMBER	DESCRIPTION	QTY
1	424-03-A0011	AFTERCOOLER	1
2	424-03-A0250	HOSE	1
3		Not Used	
4	690 068 C1	CLAMP. HOSE	3
5	424-03-A0260	TUBE	1
6	07042-30108	PLUG	1
7	424-03-22370	BRACKET	1
	01435-01225	BOLT, M12 X 1.75 X 25 LG.	2
8	07283-28973	U-BOLT	2
	01643-31232	WASHER, FLAT M12	4
	01597-01211	NUT, M12	4
9	424-03-22350	HOSE	1
10	690 068 C1	CLAMP, HOSE	2
11	1307 682 H1	PIPE, AIR TRANSFER (See Engine Parts Pg. E1-21)	1
12	424-03-2240	HOSE	1
13	690 106 C1	CLAMP, HOSE	2
14	424-03-A0270	TUBE, CHARGE AIR	1
15	07042-30108	PLUG	1
16	424-03-22361	BRACKET	1
	01435-01225	BOLT	2
17	07283-27663	U-BOLT	1
	01643-31232	WASHER	2
	01597-01009	NUT, 10	2
18	424-03-A0240	HOSE	1
19	690 106 C1	CLAMP	1

RADIATOR ASSEMBLY

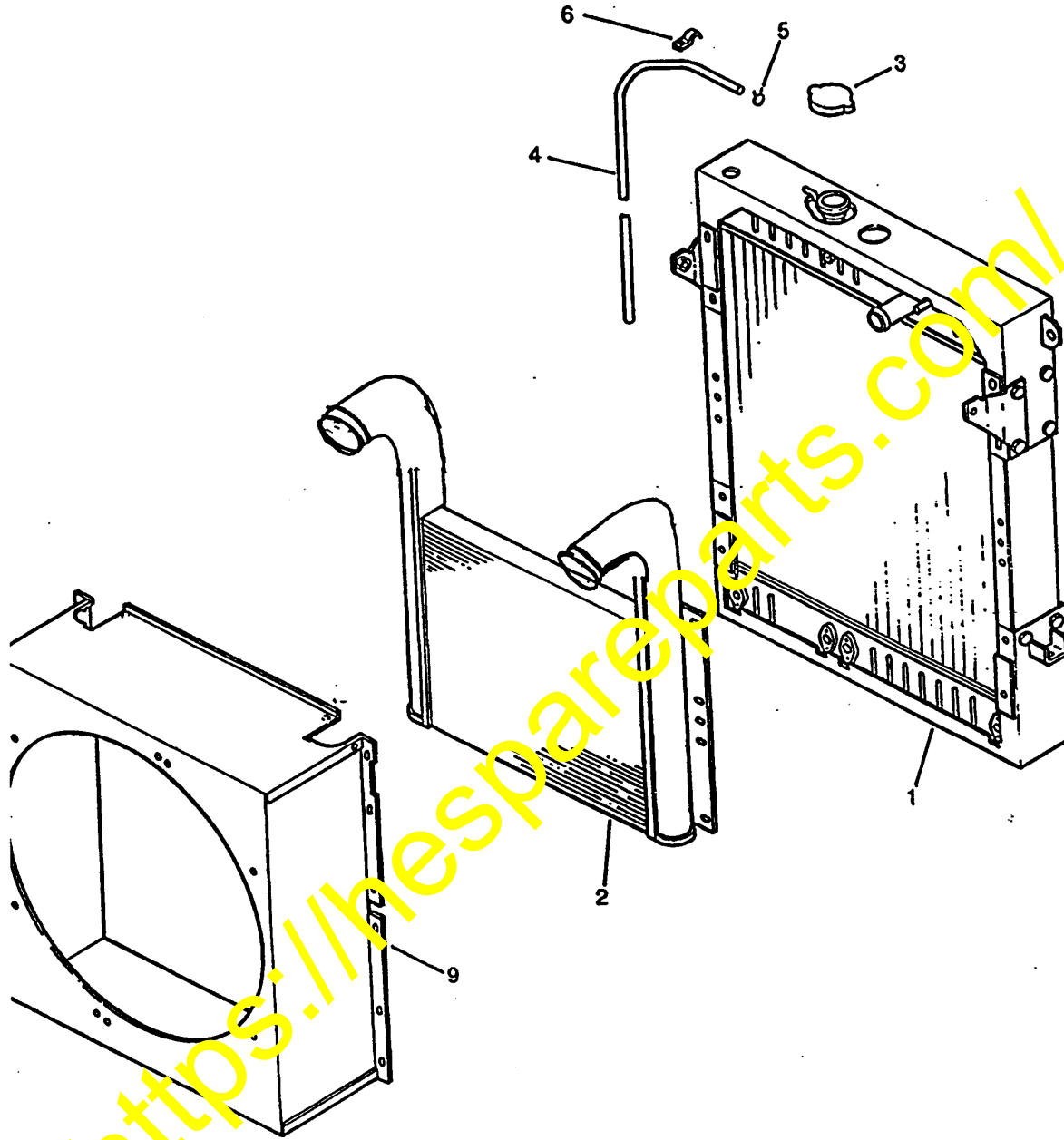


VLPS0006

RADIATOR ASSEMBLY

ITEM	PART NUMBER	DESCRIPTION	QTY
	424-03-A0131	RADIATOR ASSEMBLY, MODINE	
1	424-03-A1211	.RADIATOR, CORE	1
2	424-03-A0140	.SIDE, L. H.	1
3	424-03-A0150	.SIDE, R. H.	1
4	424-03-A0160	.FRAME, TOP	1
5	424-03-A0170	.FRAME, BOTTOM	1
6	424-03-A0190	.BRACKET, L. H.	1
7	424-03-A0180	.BRACKET, R. H.	1
8	02720-10810	.PLUG	1
9	407 000 R1	.HOSE, BULK (cut length 120mm)	2
10	04434-52512	.CLIP	2
11	424-03-A1320	.TUBE, BYPASS	1
12	07281-00489	.CLAMP, HOSE	4
ASSEMBLY HARDWARE			
	01010-61025	BOLT M10 X 1.5 X 25 LG.	16
	01643-31032	WASHER, FLAT - M10	16
	01602-01030	WASHER, LOCK - M10	16
	01010-61225	BOLT, M12 X 1.75 X 25 LG	8
	01010-61230	BOLT, M12 X 1.75 X 30 LG	4
	01643-31232	WASHER, FLAT - M12	12
	01602-01236	WASHER, LOCK - M12	12

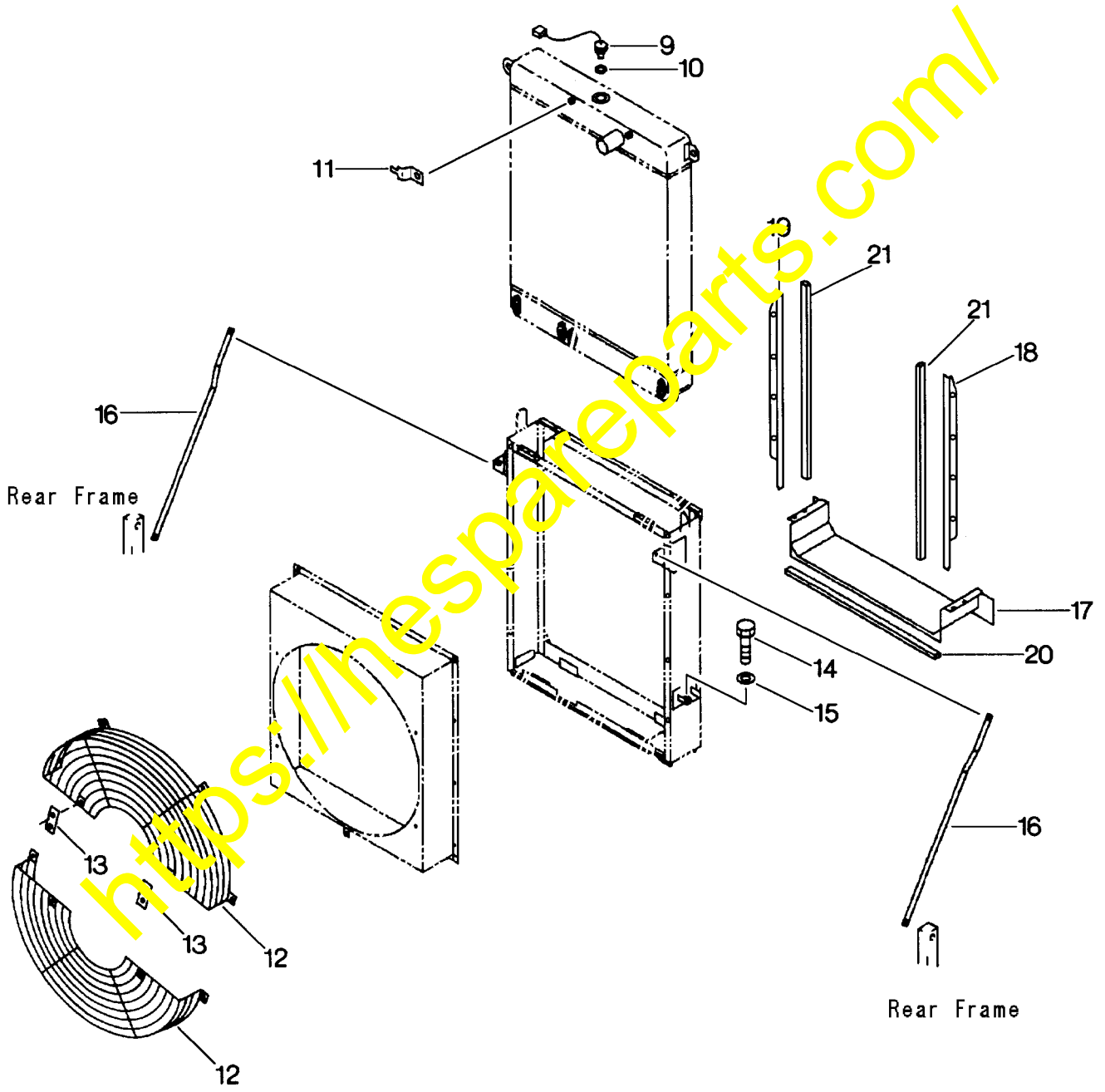
RADIATOR ASSEMBLY WITH AFTERCOOLER



RADIATOR ASSEMBLY WITH AFTERCOOLER

ITEM	PART NUMBER	DESCRIPTION	QTY
	424-03-A0021	RADIATOR ASSEMBLY WITH AFTERCOOLER	
1	424-03-A0131	.RADIATOR ASSEMBLY	1
2	424-03-A0011	.AFTERCOOLER, CHARGE AIR	1
3	424-03-A1520	.CAP, RADIATOR	1
4	423-03-22230	.HOSE, RADIATOR OVERFLOW	1
5	206-03-43340	.CLAMP, OVERFLOW HOSE	1
6	04434-51210	.CLIP, OVERFLOW HOSE	3
	01010-61020	.BOLT, M10 X 1.50 X 20LG	1
	01643-31032	.WASHER, M10	1
7		Not Used	
8		Not Used	
9	424-03-A0101	.SHROUD, ENGINE FAN	1
	01010-61035	.BOLT, M10 X 1.5 X 35 LG	6
	01602-0030	.WASHER, LOCK M10	6
	01643-31032	.WASHER, FLAT M10	7

RADIATOR MOUNTING



RADIATOR MOUNTING

ITEM	PART NUMBER	DESCRIPTION	QTY
9	7861-92-4500	SENSOR, COOLANT LEVEL	1
10	07002-23634	O-RING	1
11	08053-01512	CLIP	1
	01435-01016	BOLT, M10 X 1.50 X 16 LG	1
12	423-03-A1110	GUARD, ENGINE FAN	2
	01435-01020	BOLT	8
13	416-03-11420	BAR, MOUNTING	2
	01435-00816	BOLT	4
14	01010-81445	BOLT, M14 X 1.75 X 35 LG.	2
15	01643-31445	WASHER, M14	2
16	421-03-23150	STAY BAR	2
	01435-01235	BOLT, M12 X 1.75 X 35 LG.	4
	01643-31232	WASHER	2
17	424-03-A1310	COVER	1
18	423-03-23140	PLATE, L.H.	1
19	423-03-23150	PLATE, R.H.	1
20	421-03-23190	SEAL	1
21	423-03-23180	SEAL	1