

# PARTS & SERVICE NEWS

REF NO. AA00069

DATE May 23, 2000

**SUBJECT:** HYDRAULIC HOSE CLAMPS

**PURPOSE:** To prevent the leakage of oil from the hydraulic hose.

**APPLICATION:** WA500-1LE Wheel Loader Serial Numbers A61001 through A70000  
 WA600-1LE Wheel Loader Serial Numbers A51001 through A52000

**FAILURE CODE:** 6A0010

**DESCRIPTION:** Current clamps are being replaced to prevent leakage from the hydraulic hoses.

**Introduction:**

This PARTS AND SERVICE NEWS is to inform the field of a parts change associated with clamps that allowed hydraulic hoses to leak.

Item	Part Number	Description	Qty	Remarks
1	07281-01159	Hydraulic Hose Clamp (WA500-1LE)	4	Change to Part Number 07289-00105
2	07281-01279	Hydraulic Hose Clamp (WA600-1LE)	4	Change to Part Number 07289-00130

**Instructions:**

1. Refer to Figure 1 for WA500-1LE.

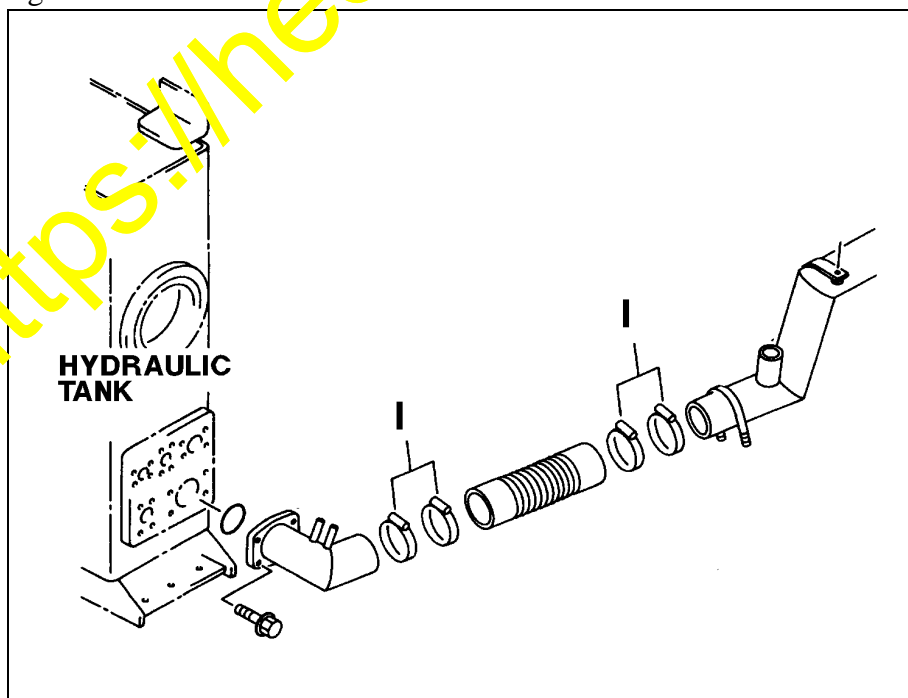


Figure 1

2. Refer to Figure 2 for WA600-1LE.

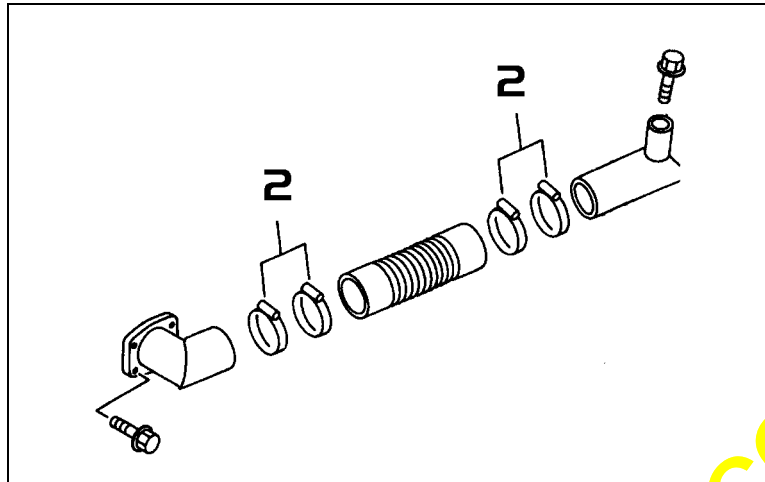


Figure 2

<https://hespareparts.com/>