

PARTS & SERVICE NEWS

REF NO.	AA00079
DATE	May 31, 2000

(C)

Page 1 of 1

SUBJECT: PLATFORM MOUNTING BOLT CORRECTION
PURPOSE: Correct Assembly
APPLICATION: WA500-3LE Wheel Loader Serial Number A70001 and UP
FAILURE CODE: 547281
DESCRIPTION: 45mm bolt does not fit into the weldnut.

Introduction:

This PARTS AND SERVICE NEWS calls for a Parts Book update on the WA500-3LE. The original drawing has a mislabeled part.

PARTS LIST

Item	Part Number	Description	Qty	Remarks
1	01435-01245	Bolt	4	Change to Part Number 01435-01255

NOTE:

- See Figure 1 for location of mislabeled bolt.

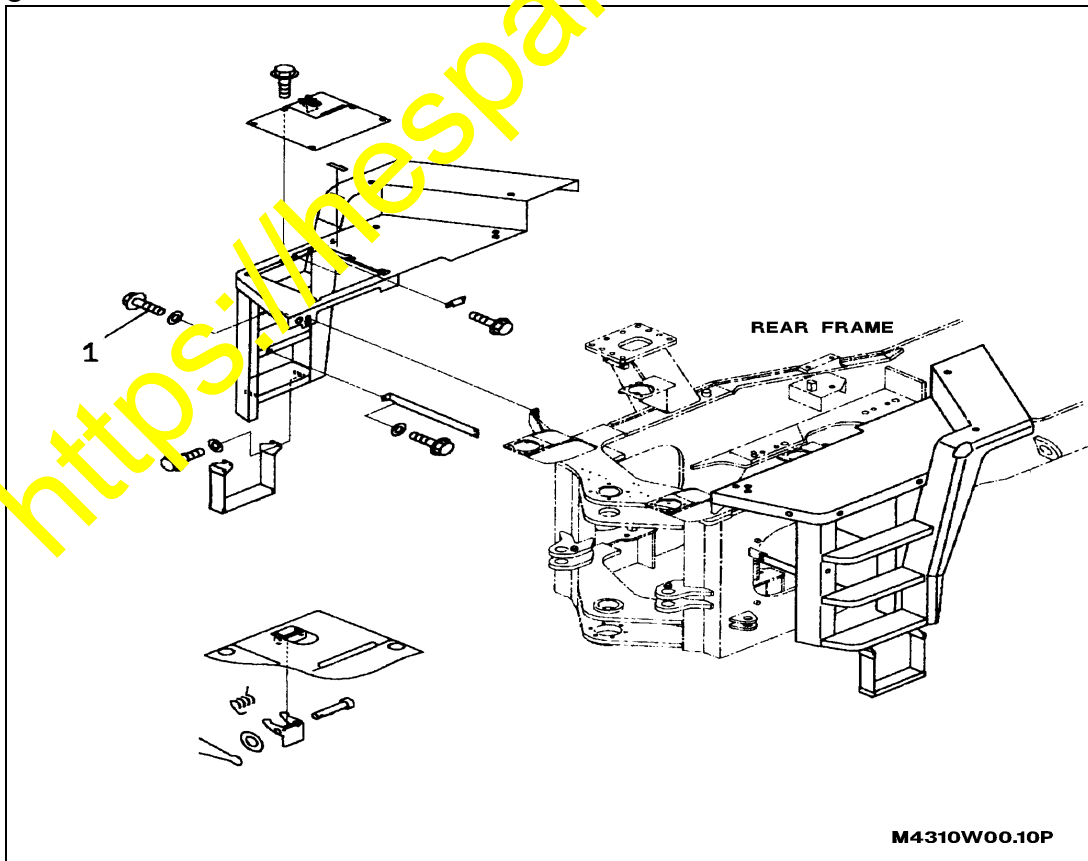


Figure 1