

PARTS & SERVICE NEWS

REF NO.	AA00082
DATE	June 1, 2000

SUBJECT: REVISE DRIVE SHAFTS

PURPOSE: Improvements in drive shafts and universal joints.

APPLICATION: 568 Wheel Loader Serial Number 7001 and UP
 WA600-1LC Wheel Loader Serial Number A50001 to A51000
 WA600-1LE Wheel Loader Serial Number A51001 to A52000

FAILURE CODE: 201099

DESCRIPTION:

Introduction:

This PARTS AND SERVICE NEWS is issued to update the Parts Books and Service Manuals for the above machines.

PARTS LIST

Detailed Breakdown of Updated Propeller Shaft (See Figure 1).

Item	Description	New Part Number	Old Part Number	Qty	Remarks
1	Propeller Shaft Assembly	426-20-A1141	426-20-A1140		Fully Interchangeable
2	Bolt	25 341 R1	426-20-A1170	8	
3	Grease Fitting	425-20-A1360	426-20-A1350	1	
4	Spider Assembly	426-20-A1151	426-20-A1150	2	Fully interchangeable
5	45 Deg. Grease Fitting	425-20-A1350	-	2	
	Yoke and Shaft Assembly	426-20-A1231	-	1	Fully interchangeable as a unit only
6	Yoke	426-20-A1131	-	1	
7	Shaft	426-20-A1251	-	1	
	Seal Kit	426-20-A1260	-	1	Fully interchangeable as a unit only
8	Seal	426-20-A1220	-	1	
9	Retainer	426-20-A1210	-	2	
10	Cover	426-20-A1240	-	1	

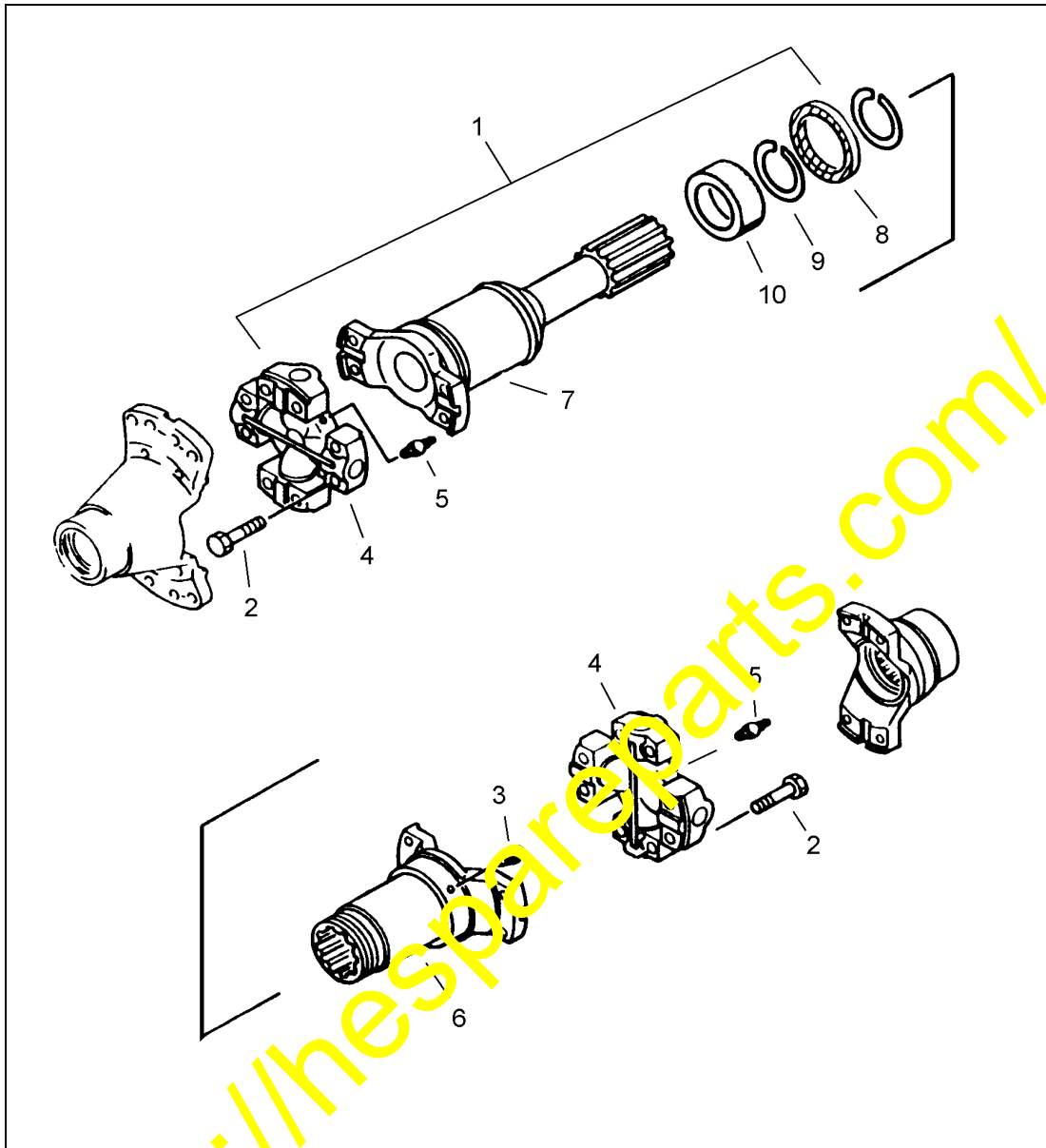


Figure 1