

PARTS & SERVICE NEWS

REF NO. AA00093

DATE May 30, 2001

Page 1 of 2

SUBJECT: RELEASE SEAL KIT FOR BARNES HYDRAULIC PUMP PART NUMBER 418-62-A1220

PURPOSE: To release seal kit for service.

APPLICATION: WA250-1LC Wheel Loader Serial Number A65001 through A70000

FAILURE CODE: 6A40Z9

DESCRIPTION:

Seal Kit, part number 418-62-A1240, has been released for service for Hydraulic Pump Assembly 418-62-A1220. The kit includes the following:

1 retainer ring, 4 seal retainers, 4 seal glands, 1 inner shaft seal, 1 outer shaft seal, 1 plug weep hole seal, and 4 ring seals.

418-62-A1220 Hydraulic Pump Assembly Includes:

Item	Part Number	Description	Qty	Remarks
1	418-62-A1240	Seal Kit	-	
2	705-51-20300	Hydraulic Pump Assembly	1	To be serviced with Item 1

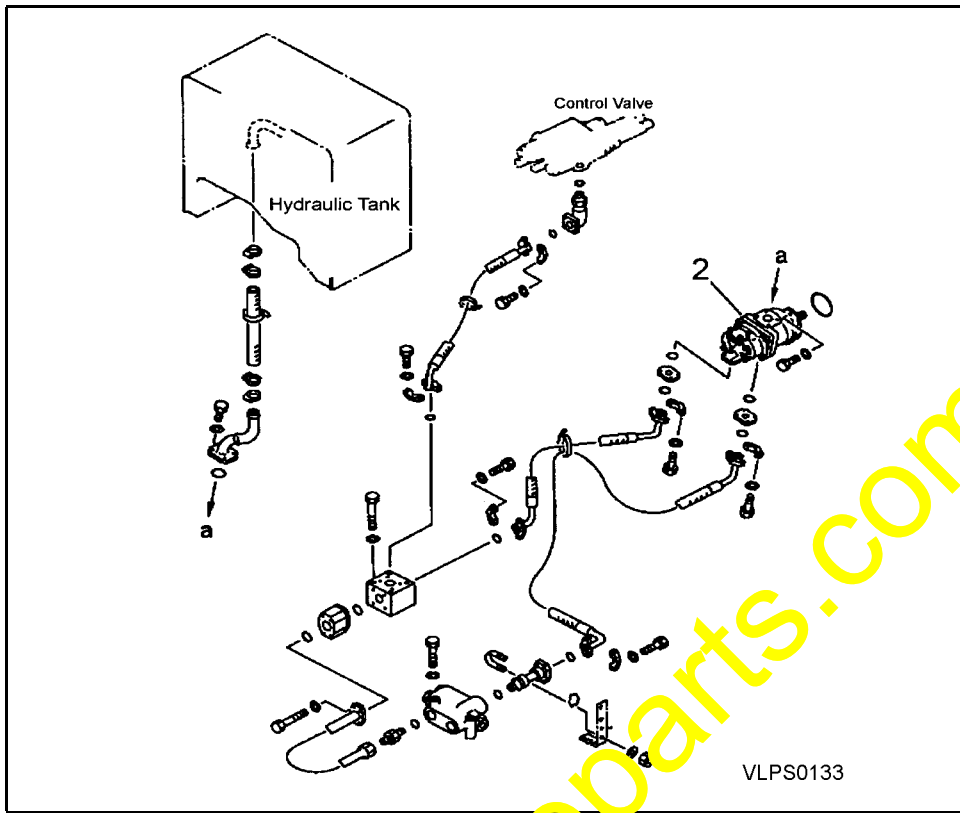


Figure
Location of Hydraulic Pump

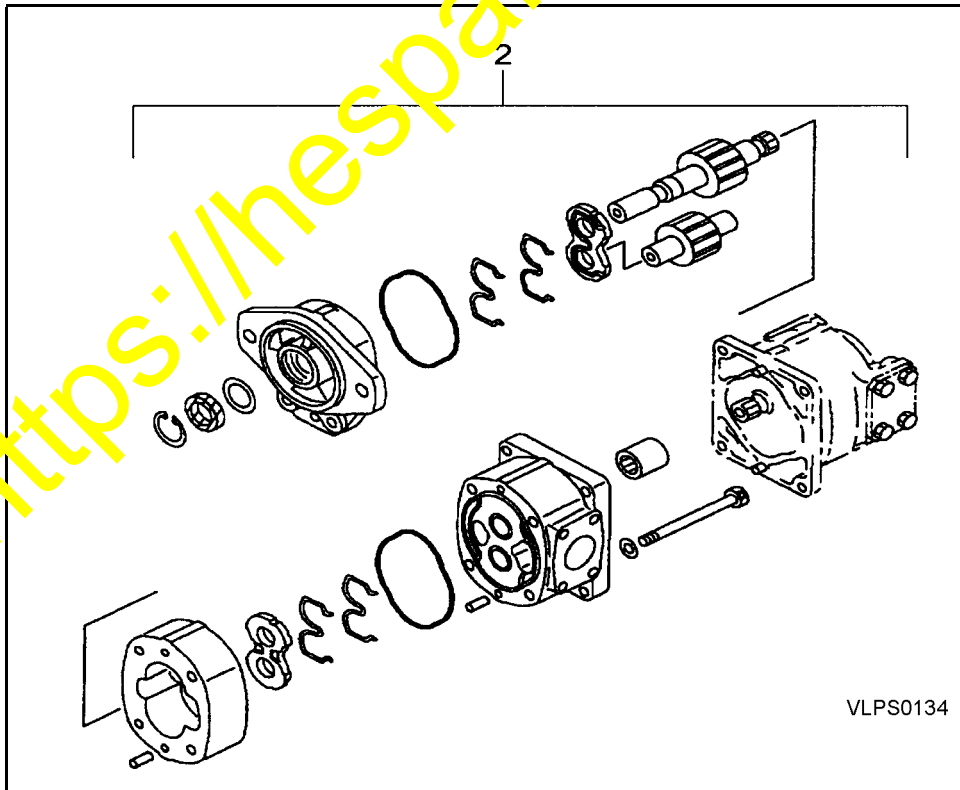


Figure 2
Exploded View of the Hydraulic Pump