

# PARTS & SERVICE NEWS

REF NO.	AA00154
DATE	July 31, 2000

(C)

**SUBJECT:** M11 ENGINE

**PURPOSE:** Release new performance parts, service fuel pump and internal breather improvements.

**APPLICATION:** GD750A-1 Motor Grader All Serial Numbers  
 PC400HD-6LE Hydraulic Excavator Serial Number A70490 and UP  
 PC400LC-6LE Hydraulic Excavator Serial Number A70490 and UP  
 TD 20H Crawler Tractor Serial Number P052505 and UP  
 WA450-3L Wheel Loader Serial Number A30360 and UP

**FAILURE CODE:** 010099

**DESCRIPTION:**

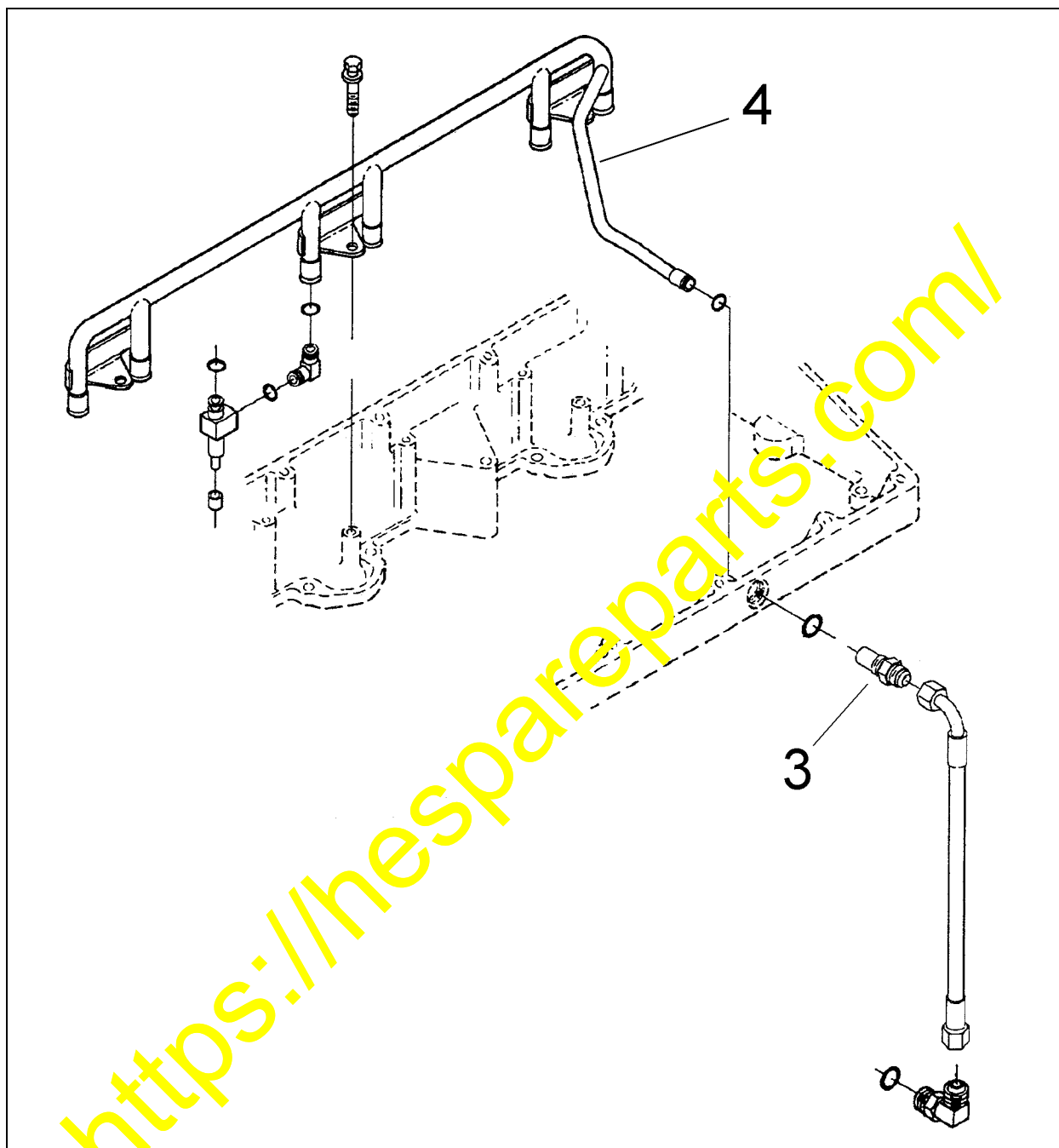
**Introduction:**

This PARTS AND SERVICE NEWS informs the field of new parts installed in the above machines' engines which reduce soot, strengthen valve components, and improve blowby.

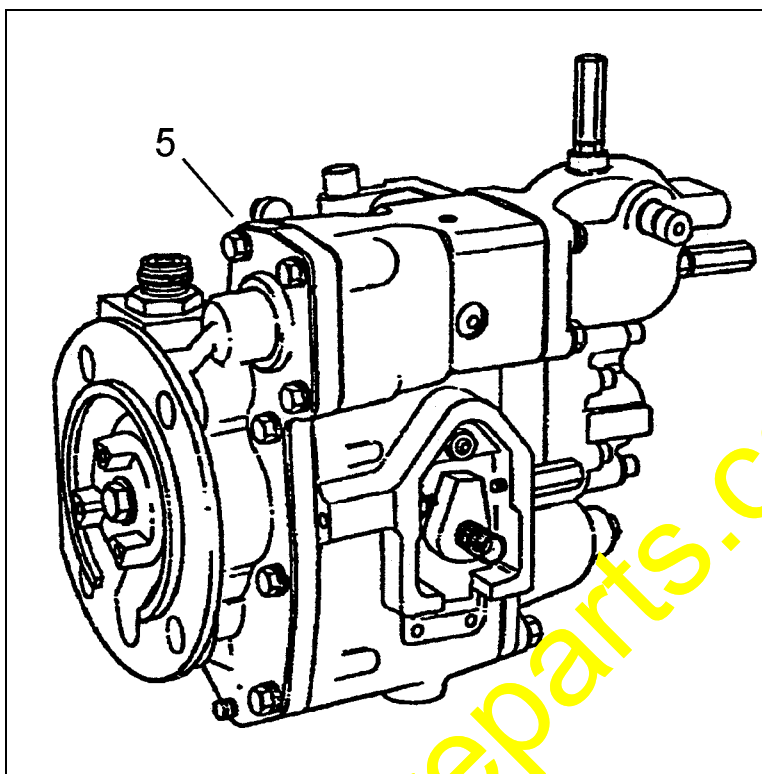
**PARTS LIST**

Item	Part Number	Description	Qty	Remarks
1	1301 873 H91	M11 Engine Assembly	1	Includes the following revisions
2	1310 993 H91	Performance Parts For Lubricating Oil System	1	Kit includes Items 3 and 4
3	1307 062 H92	Oil Supply Connection	1	Replaces old oil supply connection
4	6731-51-2380	Oil Manifold	1	Replaces old oil manifold
5	1313 135 H91	Service Fuel Pump	1	Replaces old service fuel pump
6	1312 769 H91	Valve Cover	1	Replaces old valve cover, includes internal breather improvements

Lubricating oil system:



Service fuel pump:



Valve cover:

