

# PARTS & SERVICE NEWS

REF NO. AA01022

DATE January, 03, 2001

(C)

Page 1 of 2

**SUBJECT:** SA12V140Z-1 / SAA12V140ZE-2 ENGINE FUEL INJECTION PUMP COMPONENTS

**PURPOSE:** To identify serviceable components that are not listed in the original parts books.

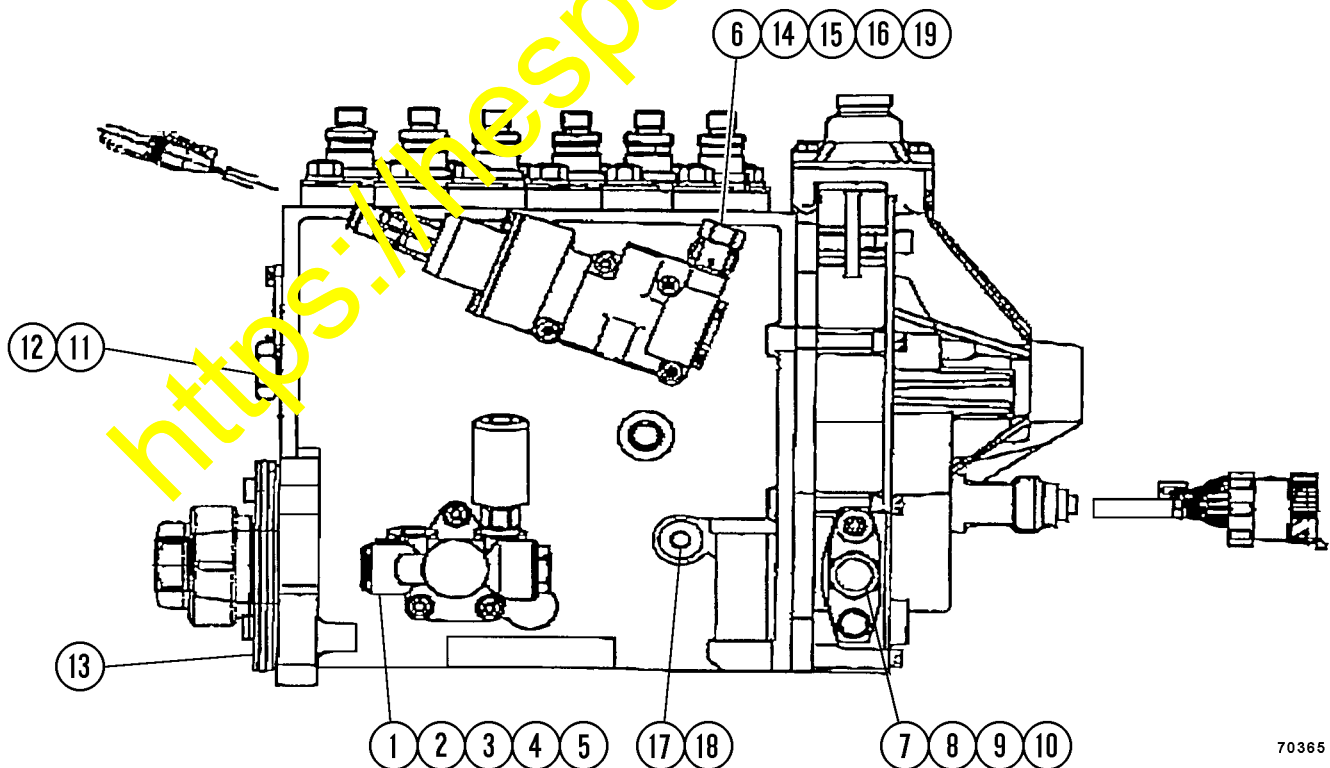
**APPLICATION:** WA800-2LC: A20020 - A20028; WA800 - 3LC: A50001 & up; WA900-1LC: A20008 - A20021, and A20023; 330M: A10190 & up, HD785-5LC: A10224 & up

**FAILURE CODE:** A700Z9

## DESCRIPTION:

The initial parts books for these models omitted many of the serviceable components for the fuel injection system. The listed components refer only to either a Cummins or a Bosch part number. Therefore, parts must be purchased from your local Cummins engine dealer or distributor, or from an authorized Bosch fuel systems shop.

The servicing of the fuel injection pump will remain as it has in the past. When internal pump service is required, consult your Cummins authorized repair facility. If the entire pump must be replaced, new or remanufactured pumps are available from your local Komatsu dealer.



70365

FIGURE 1. FUEL INJECTION PUMP

Item	Cummins P/N	Bosch P/N	Part Description	Qty.
1	3094628	0 440 008 113	Pump, Fuel Transfer	1
2	3094629	1 230 203 001	Seal, Fuel Transfer Pump Primary	1
3	3094630	1 411 073 004	Gasket, Fuel Transfer Pump	1
4	3092733	2 915 012 007	Nut, Fuel Transfer Pump Mounting	3
5	3094632	2 916 699 083	Washer, Fuel Transfer Pump Mounting	3
6	3092734	2 417 413 082	Valve, Overflow	1
7	3912888	1 423 462 041	Plug, Timing	1
8	3912889	2 916 710 613	Washer, Sealing	1
9	3094640	2 423 124 063	Pin, Lock	1
10	3094641	2 424 617 063	Spring, Lock Pin	1
11	3094642	1 413 462 095	Plug, Back Access	1
12	3094643	2 916 710 618	Seal, Back Access Plug	1
13	3092736	1 410 210 054	O-ring, Bearing Endplate Pilot Bore	1
14	3092737	2 417 205 029	EHAB Shutoff Device (24Volt)	1
15	3092738	2 914 552 155	Screw, EHAB Mounting	3
16	3092739	2 912 742 209	Screw, EHAB Mounting	1
17	3092740	2 911 272 752	Plug, Oil Fill	1
18	3092741	2 916 710 611	Seal, Oil Fill Plug	1
19	3092200	2 416 206 009	Seal, O-ring	2
20	3800695		Kit, Lift Pump and Mounting Gasket	-