

PARTS & SERVICE NEWS

REF NO. AA01079

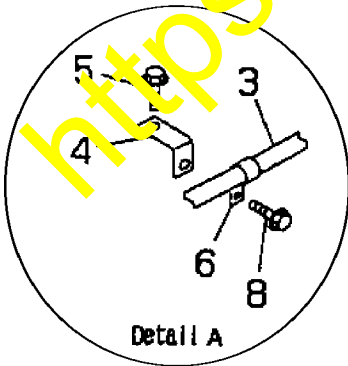
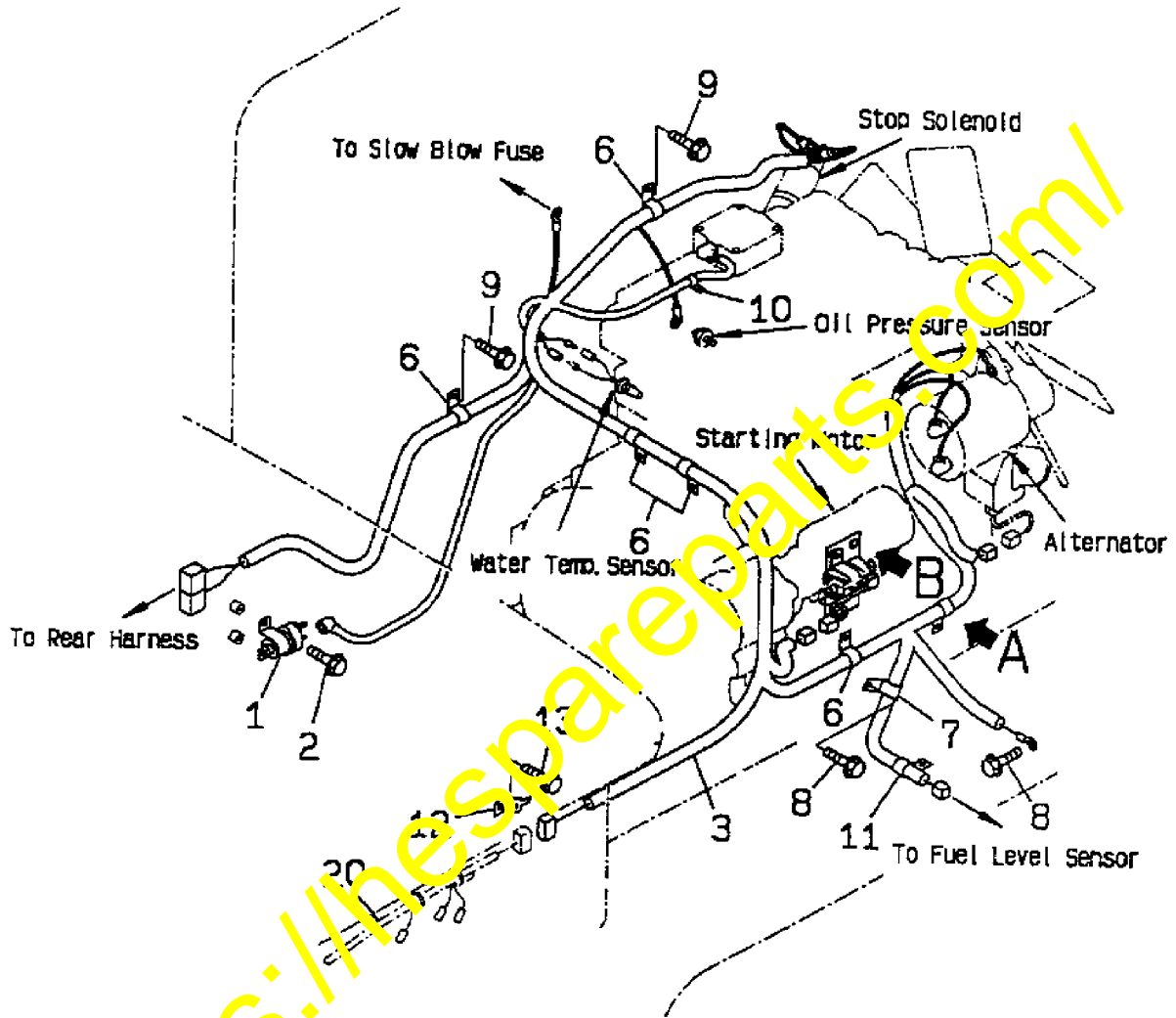
DATE May 31, 2001

Page 1 of 3

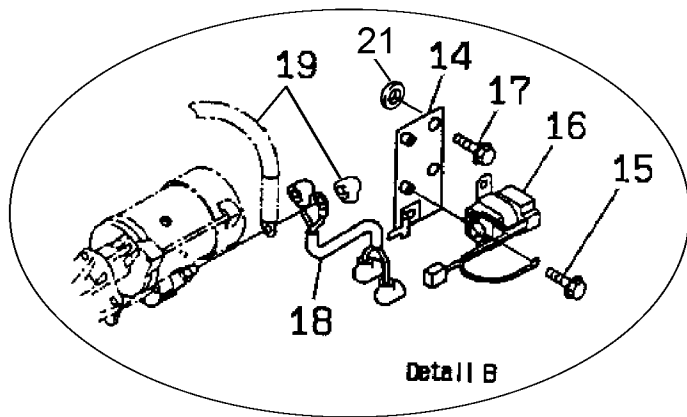
SUBJECT: ADD SPACER TO ENGINE WIRING HARNESS**PURPOSE:** To correct Bill of Material.**APPLICATION:** WA180-3L Wheel Loader Serial Number A80001 and UP
WA180-3PTC Wheel Loader Serial Number A85001 and UP
WA250-3L Wheel Loader Serial Number A70001 and UP
WA250-3PTC Wheel Loader Serial Number A75001 and UP**FAILURE CODE:** D520PP**DESCRIPTION:**

Spacer part number 6202-83-6560 was omitted from the original Bill of Material and applicable Parts Books.

<https://hespareparts.com/>



Detail A



Detail B

VLPB1572

**ENGINE HARNESS
MAIN HARNESS**

1	600-815-2170	SWITCH	1
2	01435-00610	BOLT	2
3	417-06-A1580	ENGINE WIRING HARNESS	1
4	426-01-12360	PLATE	1
5	01435-01016	BOLT	1
6	08036-01814	CLIP	6
7	08036-01214	CLIP	1
8	01435-01016	BOLT	3
9	01435-01220	BOLT	2
10	08036-00814	CLIP	1
11	08036-10814	CLIP	1
12	08053-00912	CLIP	1
13	01435-01220	BOLT	1
14	1308 344 H1	BRACKET	1
15	01435-01220	BOLT	2
16	1207 387 H2	SWITCH	1
17	01435-00516	BOLT	2
18	1308 349 H91	WIRE	1
19		BATTERY RELAY AND STARTER HARNESS	1
20		TRANSMISSION HARNESS	1
21	6202-83-6560	SPACER	2