

# PARTS & SERVICE NEWS

REF NO. AA01236

DATE January 8, 2002

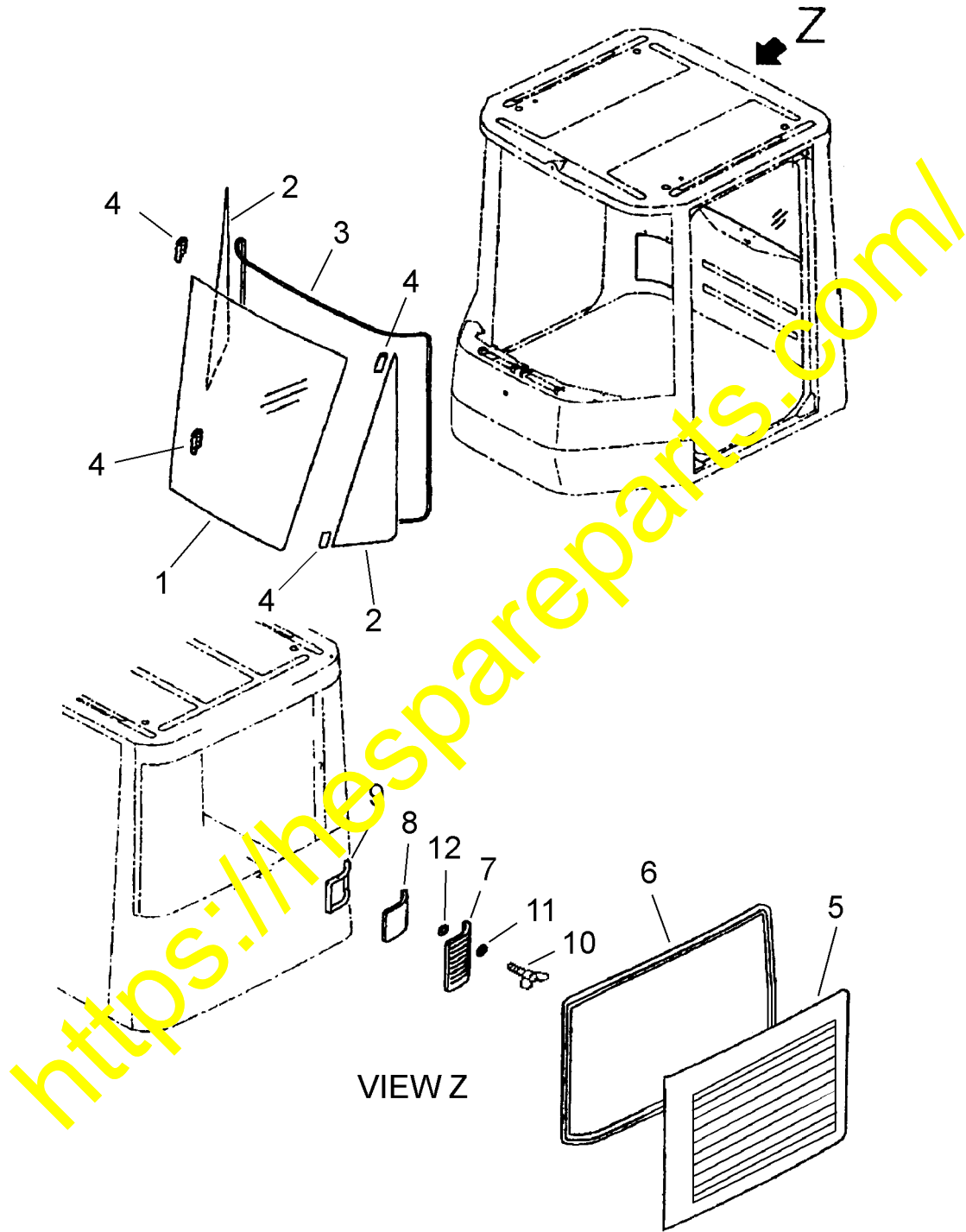
Page 1 of 33

**SUBJECT:** LOCALIZED CAB SERVICE PARTS**PURPOSE:** To release localized cab serviced parts.**APPLICATION:** WA250-3MC Wheel Loader Serial Number A71004 and up  
WA250PT-3MC Wheel Loader Serial Number A78002 and up**FAILURE CODE:** 5500Z9**DESCRIPTION:**

The purpose of this Parts & Service News is to release the localized part numbers associated with the Sims cab for the WA250-3MC and WA250PT-3MC.

<https://hespareparts.com/>

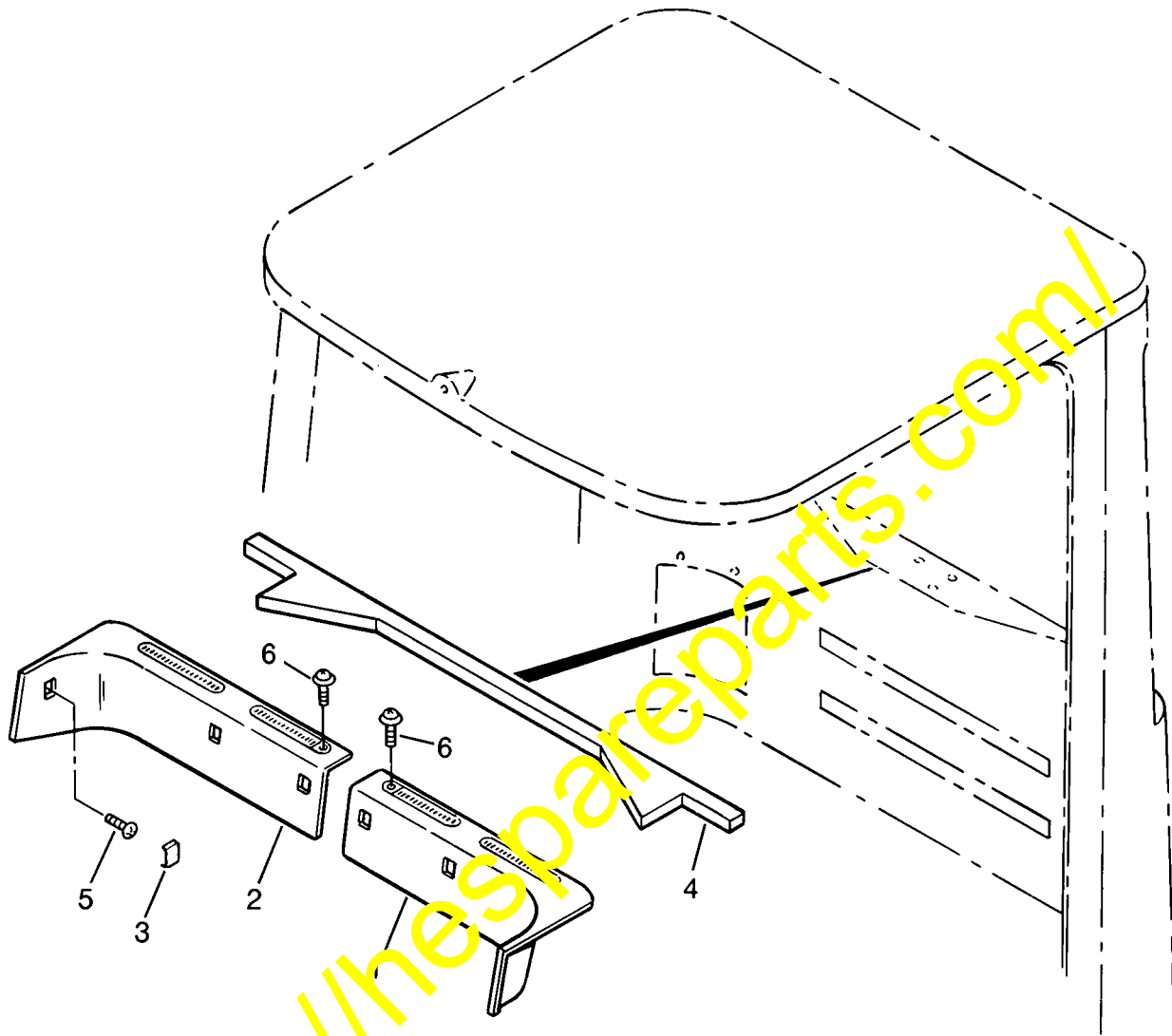
### OPERATOR'S CAB WINDOW



VLPB1299

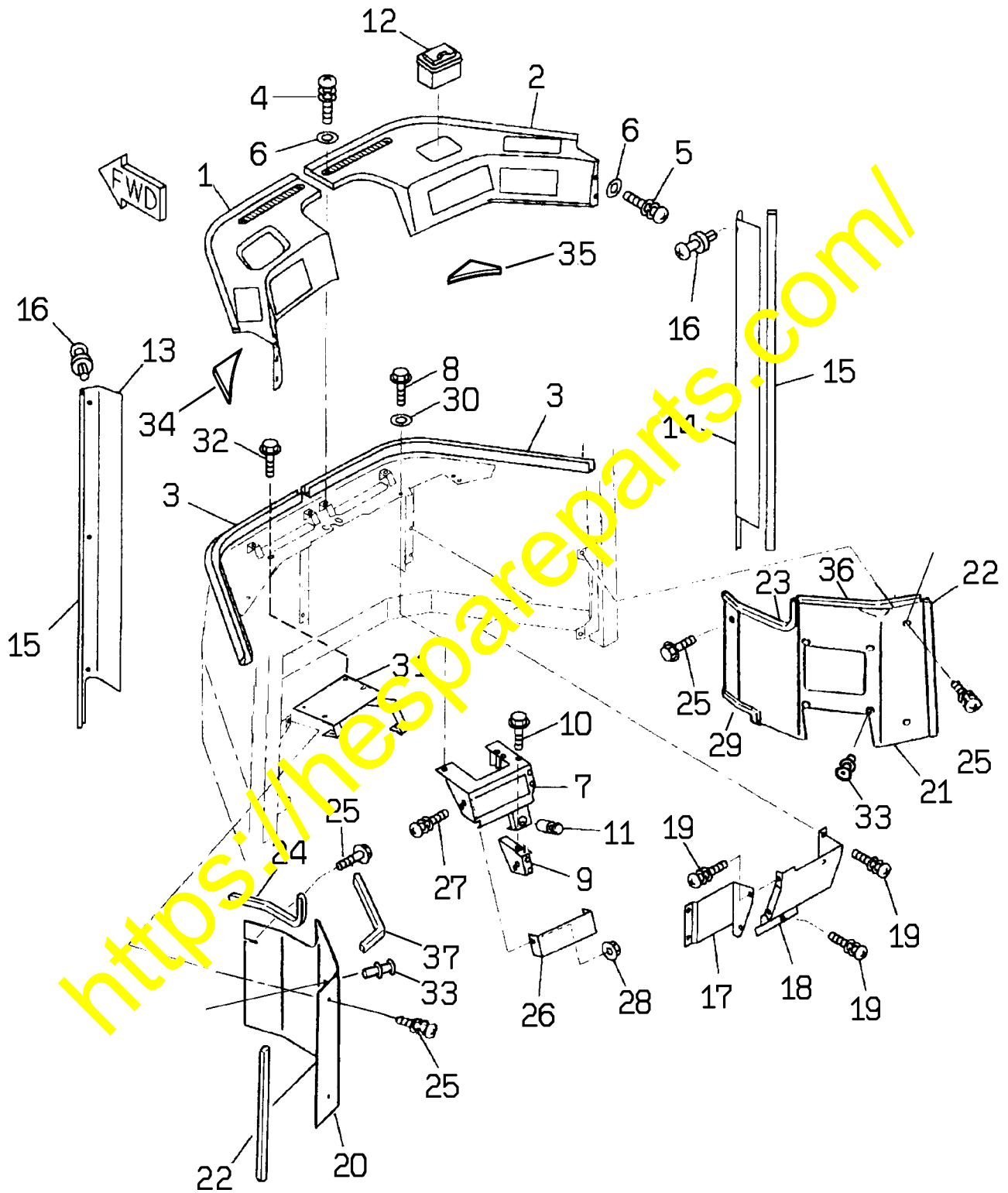
<b>OPERATOR'S CAB WINDOW</b>			
<b>Item</b>	<b>Part Number</b>	<b>Description</b>	<b>Qty</b>
	418-926-2670	CAB ASSEMBLY	1
		OR	
	418-926-A820	CAB ASSEMBLY (WITH RADIO)	1
1	424-926-2670	.GLASS, F. CENTER	1
2	424-926-2940	.GLASS, F. SIDE	2
3	423-926-A211	.STRIP, WEATHER	1
4	23S-55-51840	.RUBBER	4
5	423-926-AB10	.GLASS, REAR	1
6	423-926-A171	.STRIP, WEATHER	1
7	421-926-2720	.COVER	1
8	421-926-A140	.SEAL (WITHOUT HEATER OR AIR CONDITIONER)	1
		OR	
9	421-926-2550	.SEAL (WITH HEATER OR AIR CONDITIONER)	
10	01434-00625	.BOLT	2
11	01642-20608	.WASHER	2
12	423-56-21920	.WASHER	2

**OPERATOR'S CAB  
INTERIOR TRIM**



Item	Part Number	Description	Qty
		CAB ASSEMBLY (SEE PAGE 2)	1
1	419-926-A711	.COVER, L.H.	1
2	419-926-A721	.COVER, R.H.	1
3	421-56-21690	.COVER	6
4	421-926-2590	.SHEET	1
5	421-09-21410	.SCREW	6
6	421-09-21440	.SCREW	2

### OPERATOR'S CAB FRONT INTERIOR TRIM

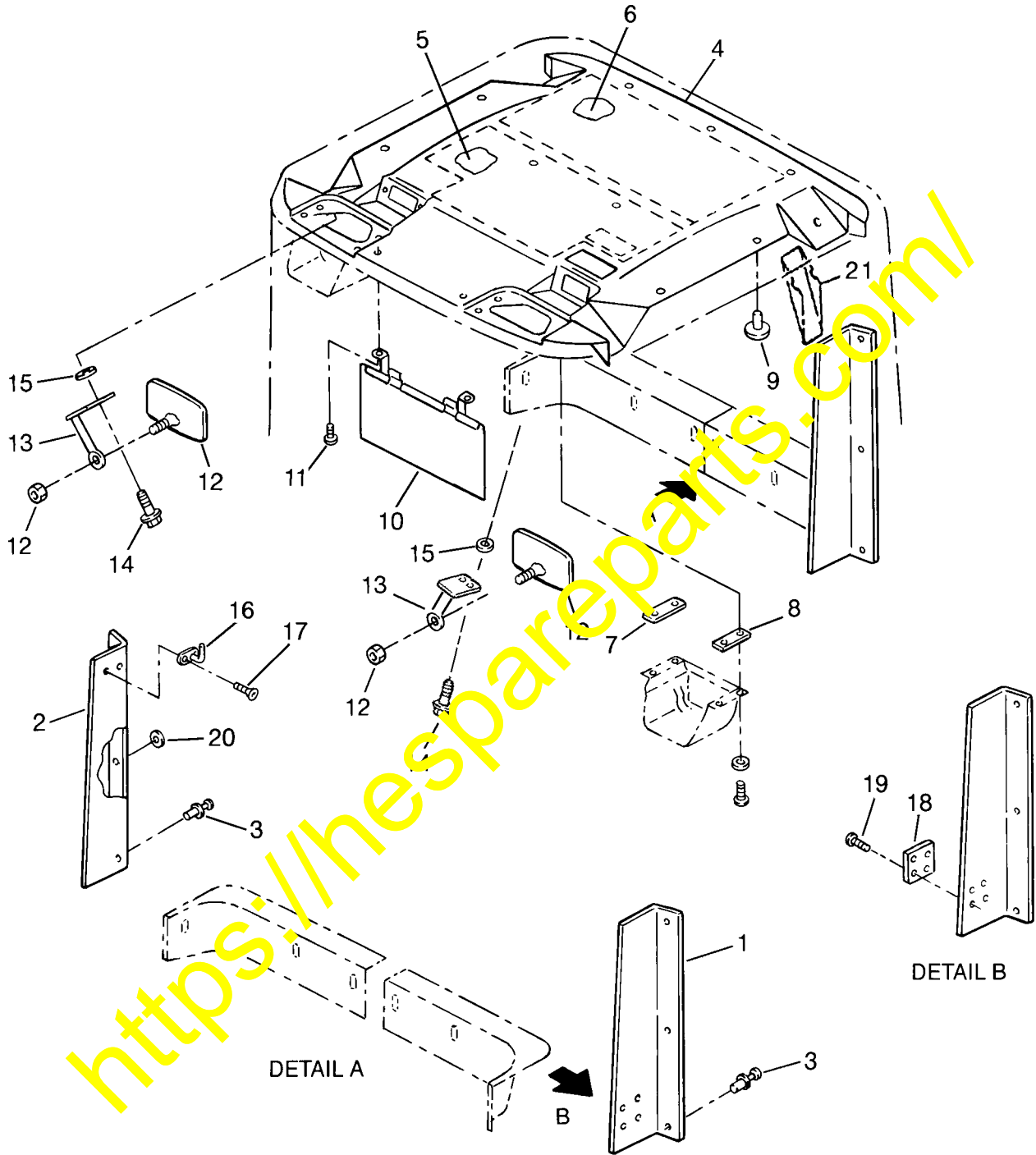


<b>OPERATOR'S CAB FRONT INTERIOR TRIM</b>			
<b>Item</b>	<b>Part Number</b>	<b>Description</b>	<b>Qty</b>
		CAB ASSEMBLY (SEE PAGE 2)	1
1	421-56-21561	.COVER, L.H.	1
2	421-56-21571	.COVER, R.H.	1
3	417-54-21380	.SEAL	2
4	421-09-21410	.SCREW	6
5	421-09-21410	.SCREW	4
6	01642-40810	.WASHER	10
7	421-56-21612	.BRACKET, RADIO	1
8	01435-00616	.BOLT	3
9	421-56-21621	.PLATE	1
10	01435-00610	.BOLT	3
11	08913-02401	.LIGHTER, CIGARETTE	1
12	20G-54-13420	.ASHTRAY	1
13	421-56-21240	.COVER, FRONT - L.H.	1
14	421-56-21250	.COVER, FRONT - R.H.	1
15	423-926-A120	.FINISHER	2
16	421-56-21450	.BUTTON	6
17	421-56-21180	.COVER, WIPER MOTOR	1
18	421-56-21190	.COVER, WIPER MOTOR	1
19	421-09-21410	.SCREW	7
20	417-56-21170	.COVER, L.H.	1
21	417-56-21180	.COVER, R.H.	1
22	423-926-A110	.FINISHER	2
23	423-926-A150	.FINISHER	1
24	418-926-A420	.FINISHER	1
25	421-09-21410	.SCREW	6

<b>OPERATOR'S CAB FRONT INTERIOR TRIM</b>			
<b>Item</b>	<b>Part Number</b>	<b>Description</b>	<b>Qty</b>
		CAB ASSEMBLY (SEE PAGE 2)	1
26	417-56-21570	.COVER, RADIO	1
27	01023-70516	.SCREW	2
28	01584-00504	.NUT	2
29	423-926-A090	.PROTECTOR	1
30	01605-10818	.WASHER	1
31	421-56-21630	.BRACKET	1
32	01435-00616	.BOLT	3
33	09415-00506	.CAP	8
34	426-56-21680	.SHEET, L.H.	1
35	426-56-21690	.SHEET, R.H.	1
36	419-926-AD10	.FINISHER	1
37	419-926-AD20	.FINISHER	1

<https://hespareparts.com/>

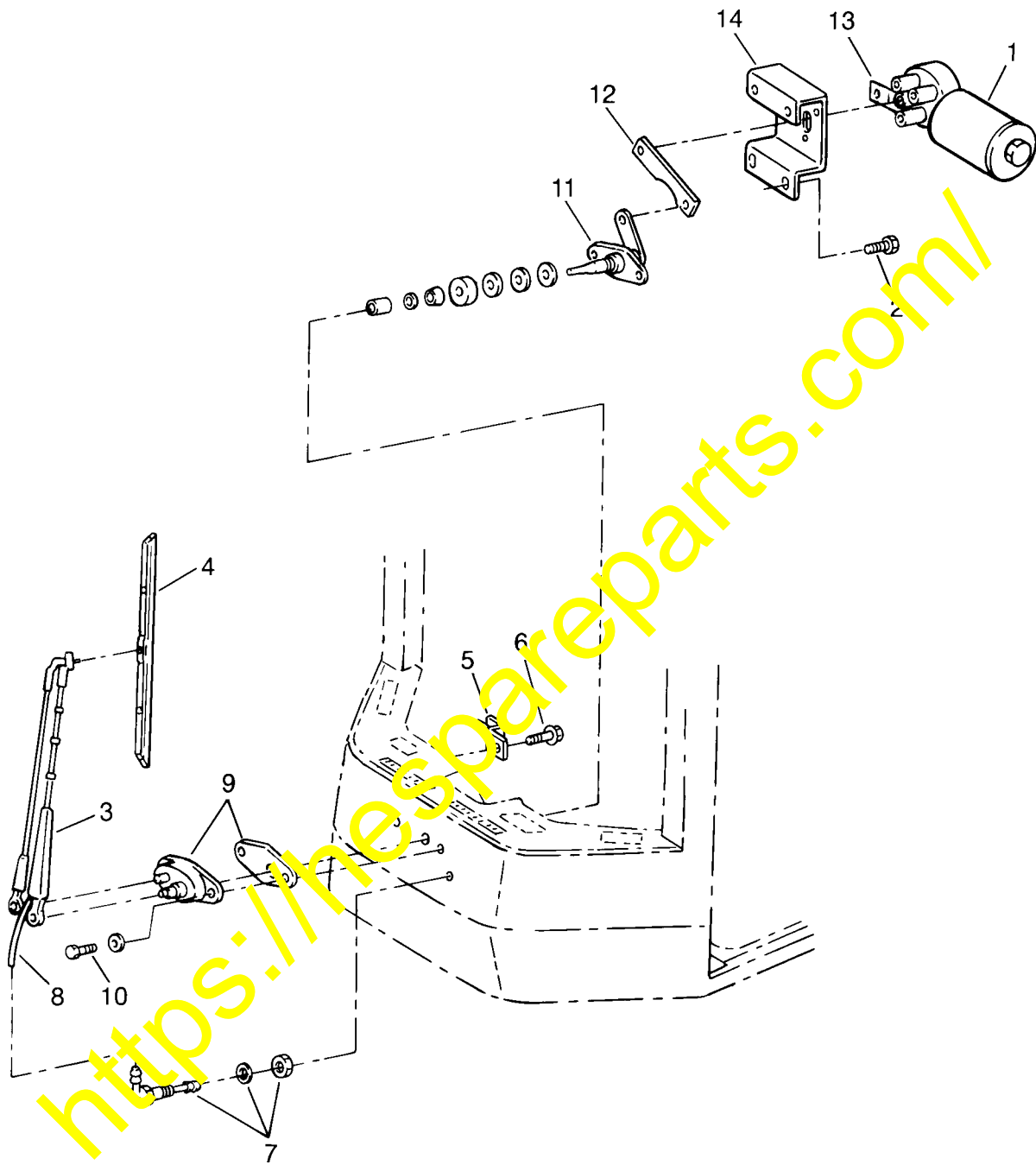
### OPERATOR'S CAB ROOF





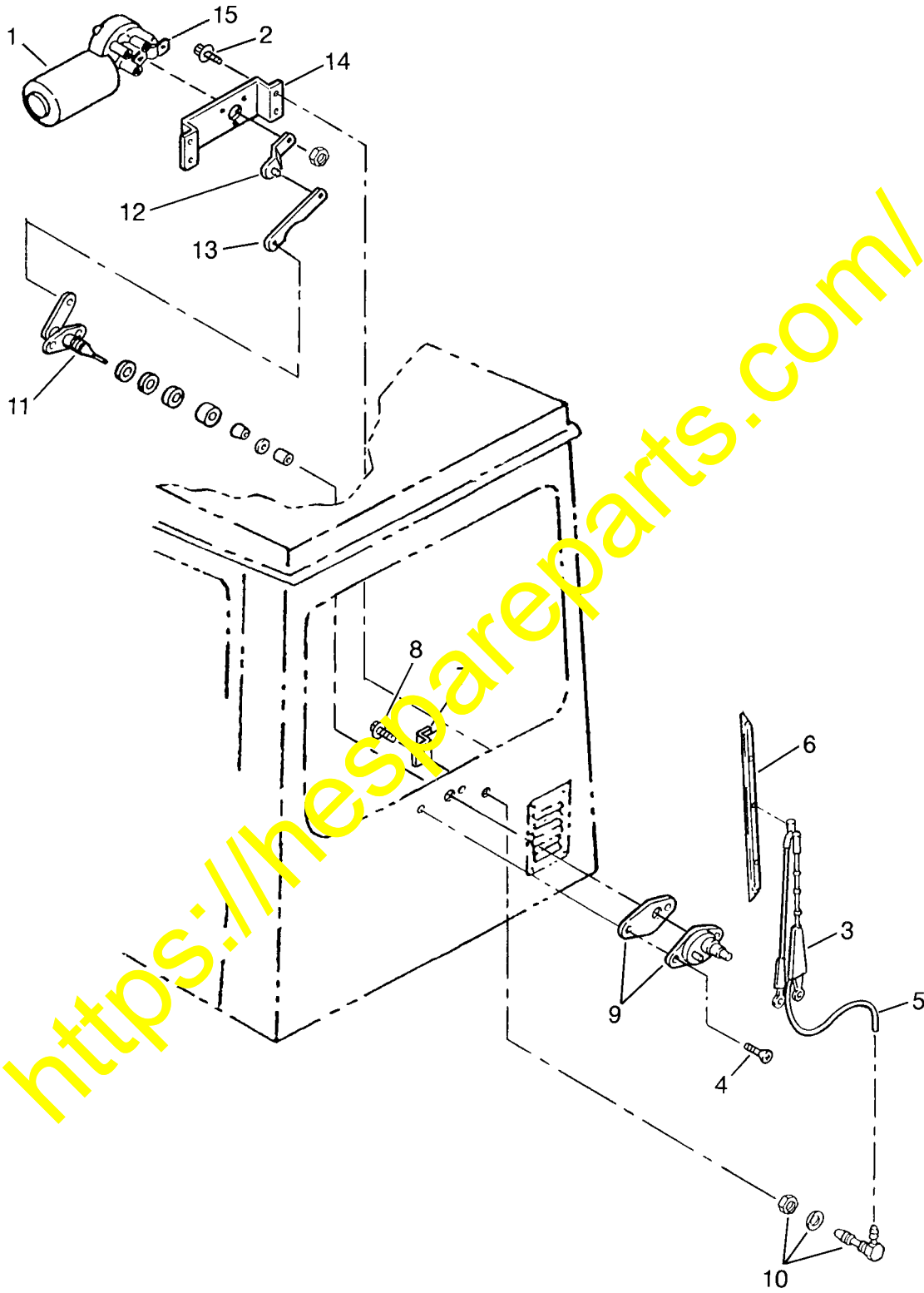
OPERATOR'S CAB ROOF			
Item	Part Number	Description	Qty
		CAB ASSEMBLY (SEE PAGE 2)	1
1	419-926-2532	COVER, REAR L.H.	1
2	419-926-2542	COVER, REAR R.H.	1
3	421-56-21450	.BUTTON	6
4	418-926-2150	.PAD, ROOF	1
5	421-926-2650	.SHEET	1
6	421-926-2660	.SHEET	1
7	41K-926-2240	.SHEET	4
8	421-56-21970	.SHEET	4
9	423-56-21910	.BUTTON	16
10	421-56-21371	.VISOR, SUN	1
11	01023-70516	.SCREW	4
12	423-926-A180	.MIRROR, ROOM	2
13	421-56-21380	.STAY	2
14	01435-00616	.BOLT, FLANGED	4
15	01643-30623	.WASHER	4
16	205-54-51250	.HANGER	1
17	01224-70412	.SCREW	2
18	419-926-A190	.HOLDER, CUP	1
19	419-926-A1910	.SCREW	4
20	08037-01610	.GROMMET	1
21	421-926-2630	.PAD, L.H.	1
	421-926-2640	.PAD, R.H.	1

### OPERATOR'S CAB FRONT WIPER



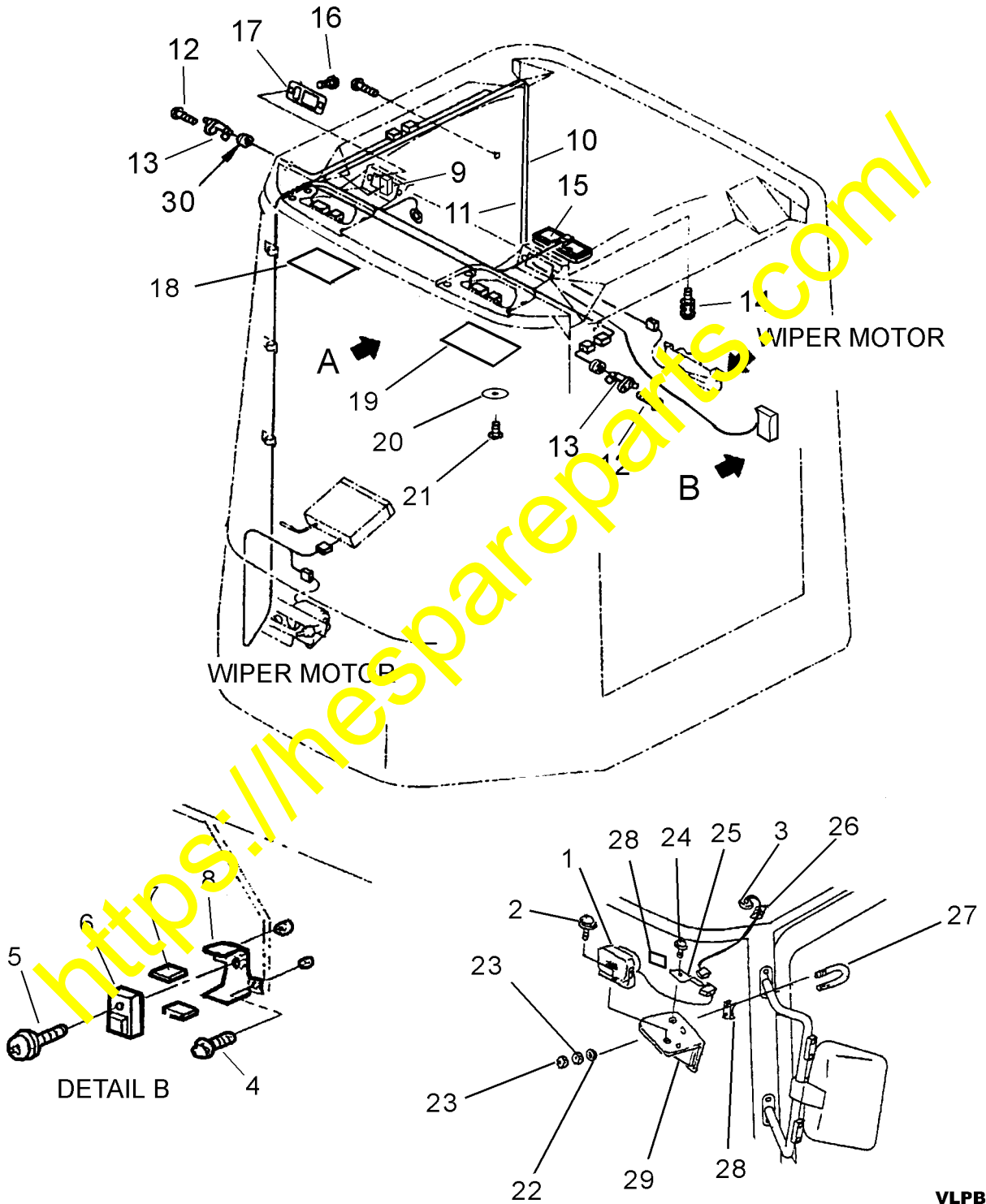
<b>OPERATOR'S CAB FRONT WIPER</b>			
<b>Item</b>	<b>Part Number</b>	<b>Description</b>	<b>Qty</b>
		CAB ASSEMBLY (SEE PAGE 2)	1
1	423-926-A250	.WIPER MOTOR ASSEMBLY	1
2	01435-00610	.BOLT	4
3	423-926-A320	.ARM, WIPER (24 in.)	1
4	423-926-A310	.BLADE, WIPER (28 in.)	1
5	08053-01510	.CLIP	1
6	01435-01016	.BOLT	1
7	417-927-AL70	.FITTING, COWL	1
8	423-926-A380	.KIT, WET ARM WASHER	1
9	423-926-A300	.KIT, PANTO ADAPTER	1
10	421-09-21410	.BOLT	2
11	423-925-A260	.SHAFT, H.D. (2 in.)	1
12	423-926-A330	.LINK	1
13	423-926-A290	.ARM, DRIVE	1
14	423-926-A460	.PLATE	1

### OPERATOR'S CAB REAR WIPER



<b>OPERATOR'S CAB REAR WIPER</b>			
<b>Item</b>	<b>Part Number</b>	<b>Description</b>	<b>Qty</b>
		CAB ASSEMBLY (SEE PAGE 2)	1
1	423-926-A250	.WIPER MOTOR ASSEMBLY	1
2	01435-00610	.BOLT	4
3	423-926-A360	.ARM, WIPER	1
4	421-09-21410	.SCREW	2
5	423-926-A380	.KIT, WET ARM WASHER	1
6	423-926-A340	.BLADE, WIPER	1
7	08053-01510	.CLIP	1
8	01435-01016	.BOLT	1
9	423-926-A300	.KIT, PANTO ADAPTER	1
10	417-927-AL70	.FITTING, COWL	1
11	423-925-A370	.SHAFT, H.D. (1 in.)	1
12	423-926-A330	.LINK	1
13	423-926-A350	.LINK	1
14	423-926-A510	.PLATE	1
15	423-929-A680	.ARM, DRIVE	1

### OPERATOR'S CAB ELECTRICAL SYSTEM



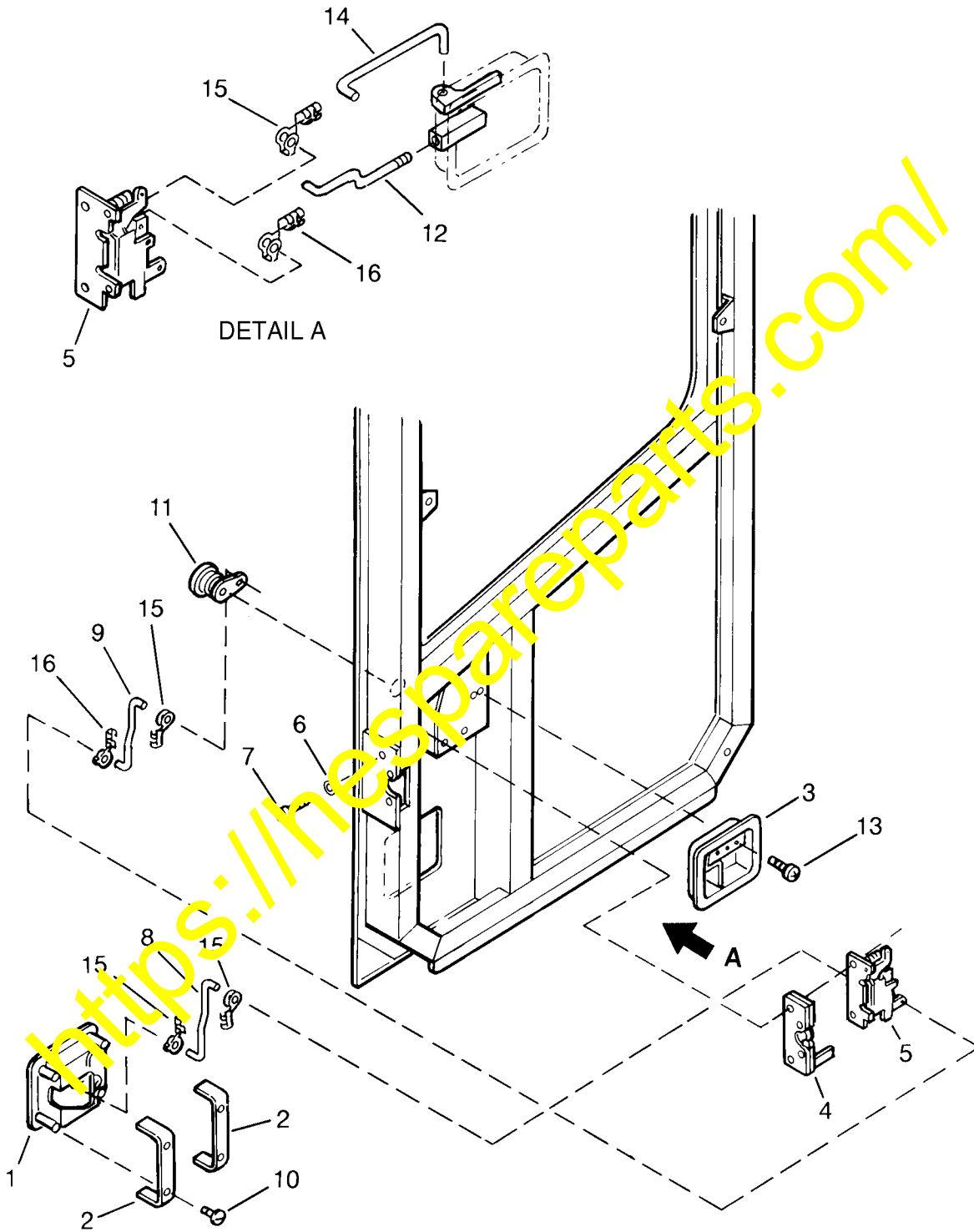
OPERATOR'S CAB ELECTRICAL SYSTEM			
Item	Part Number	Description	Qty
		CAB ASSEMBLY (SEE PAGE 2)	1
1	421-06-23360	.LAMP ASSEMBLY, WORK	2
	421-06-23320	..LENS	1
	421-06-23330	..BULB, 70W	1
2	01435-01220	.BOLT	2
3	423-975-1140	.GROMMET	2
4	01435-00610	.BOLT	2
5	01023-70414	.SCREW	2
6	417-06-A1541	.TIMER	1
7	419-926-AC80	.SHEET, RUBBER	2
8	419-926-AC70	.PLATE HOLDER	1
9	417-06-A1400	.SWITCH	1
10	417-06-A1350	.WIRING HARNESS (DEFROSTER)	1
11	418-926-2170	.WIRING HARNESS	1
12	01220-70512	.SCREW	2
13	421-56-21730	.SWITCH, DOOR	2
14	01023-70512	.SCREW	2
15	421-06-26210	.LAMP ASSEMBLY, ROOM	1
	421-06-26250	..LENS	2
	02115-02410	..BULB, 10W	2
16	01224-70516	.SCREW	4
17	421-56-21420	.PANEL, SWITCH	2
18	425-56-21150	.PLATE, R.H.	1
19	425-56-21140	.PLATE, L.H.	1
20	01642-40608	.WASHER	8
21	01023-70512	.SCREW	8
22	01643-31032	.WASHER	4

<b>OPERATOR'S CAB ELECTRICAL SYSTEM</b>			
<b>Item</b>	<b>Part Number</b>	<b>Description</b>	<b>Qty</b>
23	01580-11008	.NUT	8
24	01435-01020	.BOLT	2
25	08053-01510	.CLIP	2
26	421-54-15520	.CLIP	2
27	01435-01020	.U-BOLT	2
28	421-56-21680	.FASTENER	4
29	425-56-21110	.BRACKET, L.H.	1
30	09415-01008	.GROMMET	1

<https://hespareparts.com/>



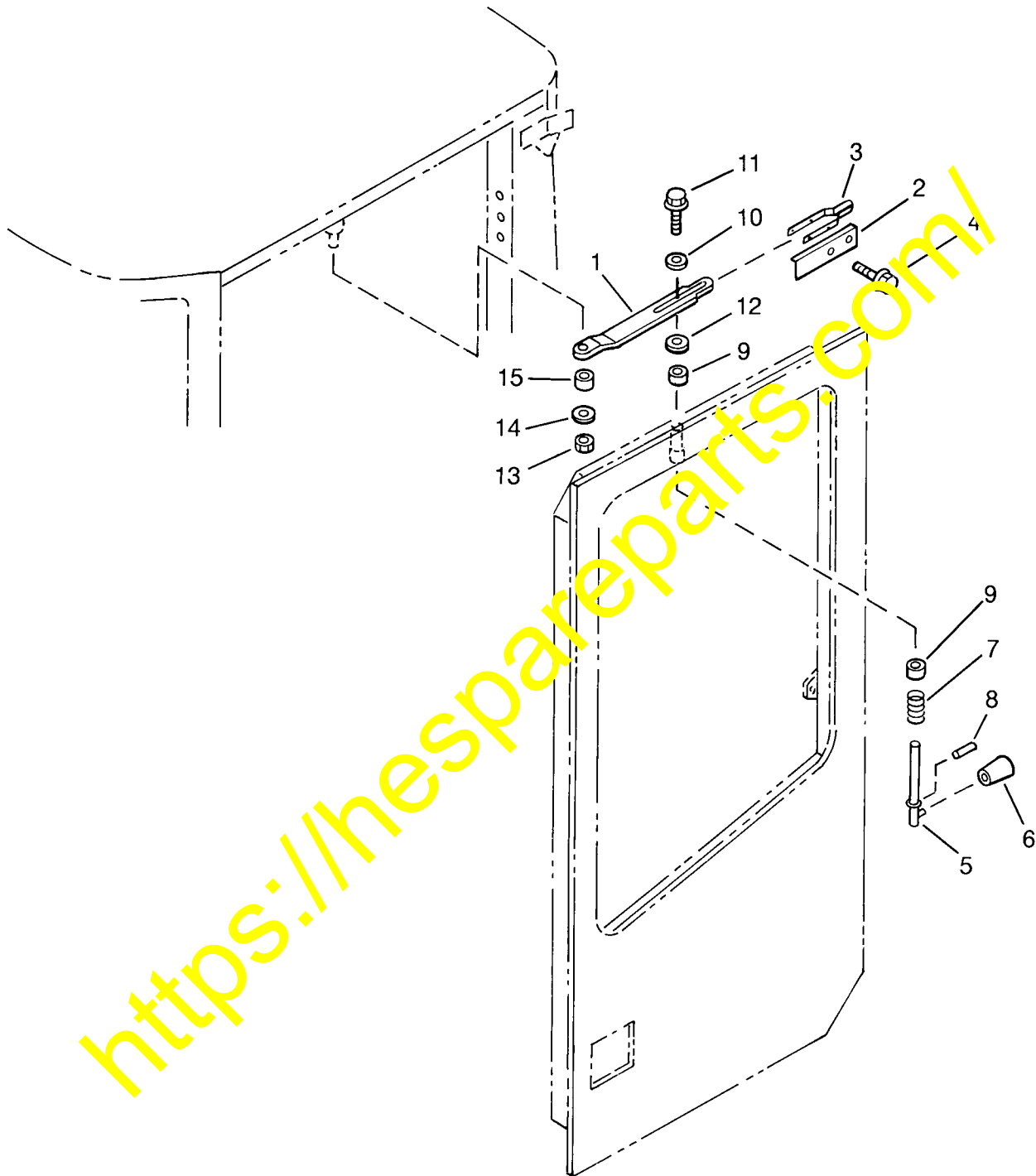
### OPERATOR'S CAB DOOR LOCK



VLPB0150

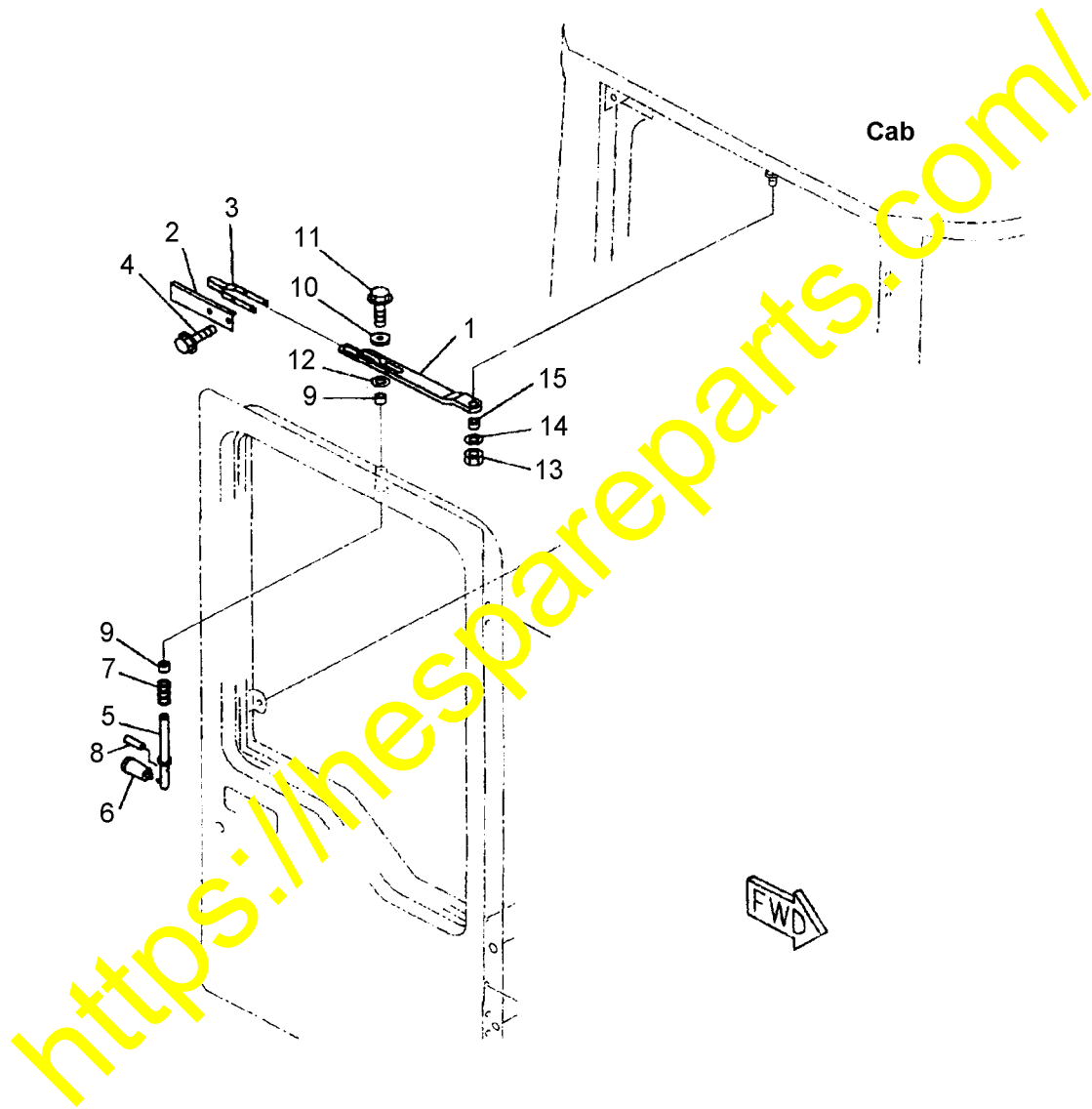
<b>OPERATOR'S CAB L.H. DOOR LOCK</b>			
<b>Item</b>	<b>Part Number</b>	<b>Description</b>	<b>Qty</b>
		CAB ASSEMBLY (SEE FIG. K0210-01A0)	1
1	423-926-A600	.PADDLE HANDLE ASSEMBLY, L.H.	1
2	417-926-A530	.PADDLE, HANDLE MOUNT	2
3	416-926-A660	.HANDLE, INSIDE L.H.	1
4	416-926-A650	.LATCH, 2-ROTOR ASSEMBLY L.H.	1
5	423-926-A550	.LINKAGE ASSEMBLY, L.H.	1
6	416-926-A680	.WASHER, FLAT (1/4 INCH)	4
7	416-926-A690	.BOLT, HEX (1/4-20x1 1/4 INCH)	4
8	416-926-A720	.ROD	1
9	416-926-A730	.ROD	1
10	423-926-A530	.SCREW	4
11	427-56-11790	.LOCK ASSEMBLY	1
12	419-926-AB20	.ROD, DOOR LOCK L.H.	1
13	416-926-A590	.SCREW SELF-TAPPING	4
14	419-926-AB30	.ROD, DOOR LATCH, L.H.	1
15	423-926-A570	.ROD, CLIP (7L)	4
16	423-926-A590	.ROD, CLIP (7R)	2

**OPERATOR'S CAB**  
DOOR HOLD OPEN (L.H.)



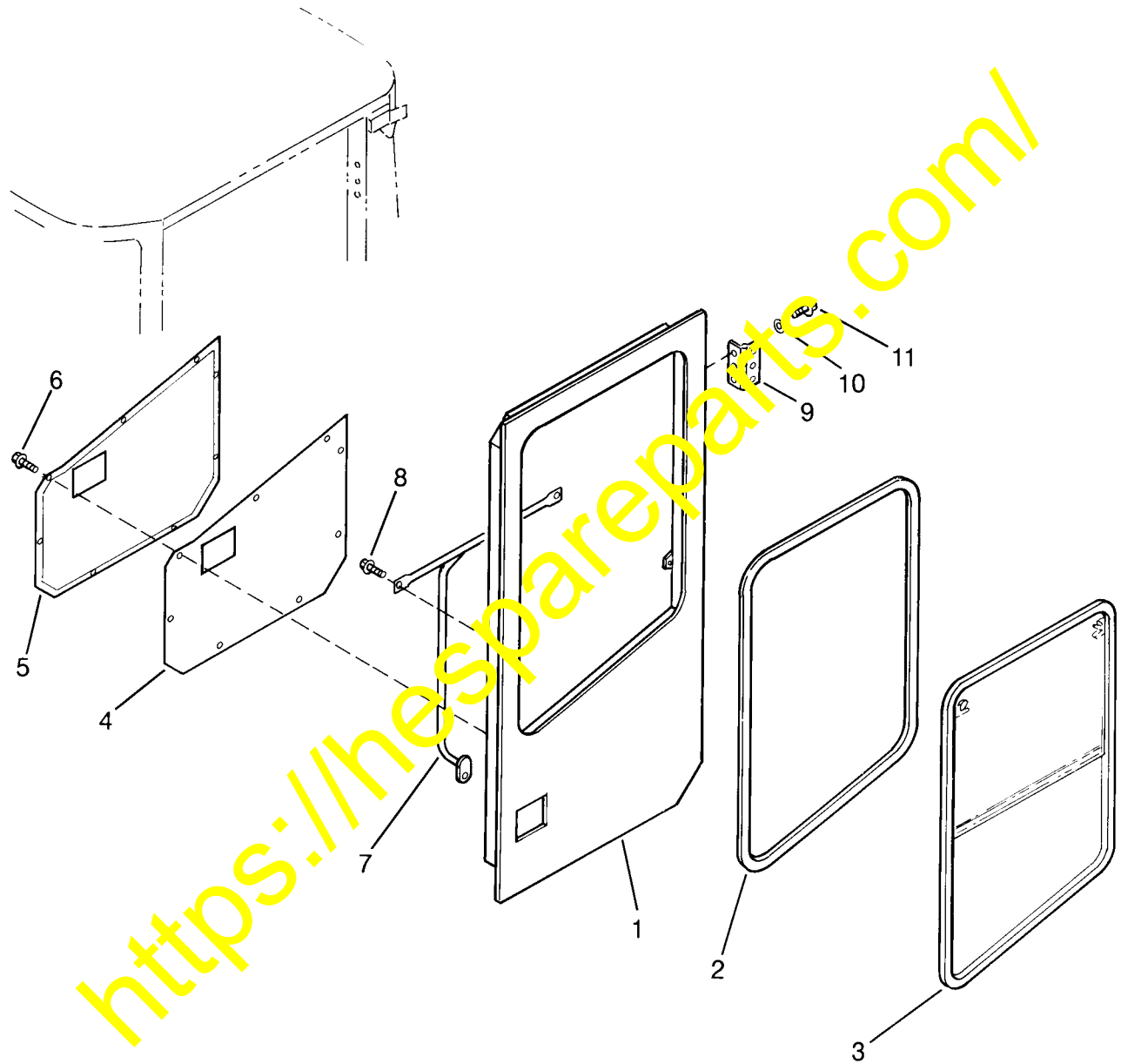
<b>OPERATOR'S CAB DOOR HOLD OPEN (L.H.)</b>			
<b>Item</b>	<b>Part Number</b>	<b>Description</b>	<b>Qty</b>
		CAB ASSEMBLY (SEE FIG. K0210-01A0)	1
	419-926-A670	..DOOR ASSEMBLY, L.H.	1
1	423-926-2390	..PLATE	1
2	419-926-AB60	..COVER, L.H.	1
3	423-56-21750	..SPRING	1
4	01435-00610	..BOLT	4
5	423-56-21730	..ROD	1
6	423-56-21740	..KNOB	1
7	421-56-11640	..SPRING	1
8	421-56-11840	..PIN	1
9	421-56-11652	..BUSHING	2
10	423-56-21780	..PLATE	1
11	01435-00616	..BOLT	1
12	01643-31232	..WASHER	1
13	01598-01011	..NUT	1
14	421-62-14740	..WASHER	1
15	421-56-11652	..BUSHING	1

**OPERATOR'S CAB**  
DOOR HOLD OPEN (R.H.)



<b>OPERATOR'S CAB DOOR HOLD OPEN (R.H.)</b>			
<b>Item</b>	<b>Part Number</b>	<b>Description</b>	<b>Qty</b>
		CAB ASSEMBLY	1
	419-926-A680	..DOOR ASSEMBLY, R.H.	1
1	423-926-2390	..PLATE	1
2	419-926-AC60	..COVER, R.H.	1
3	423-56-21750	..SPRING	1
4	01435-00610	..BOLT	4
5	423-56-21730	..ROD	1
6	423-56-21740	..KNOB	1
7	421-56-11640	..SPRING	1
8	421-56-11840	..PIN	1
9	421-56-11652	..BUSHING	2
10	423-56-21780	..PLATE	1
11	01435-00616	..BOLT	1
12	01643-31232	..WASHER	1
13	01598-01011	..NUT	1
14	421-62-14740	..WASHER	1
15	421-56-11652	..BUSHING	1

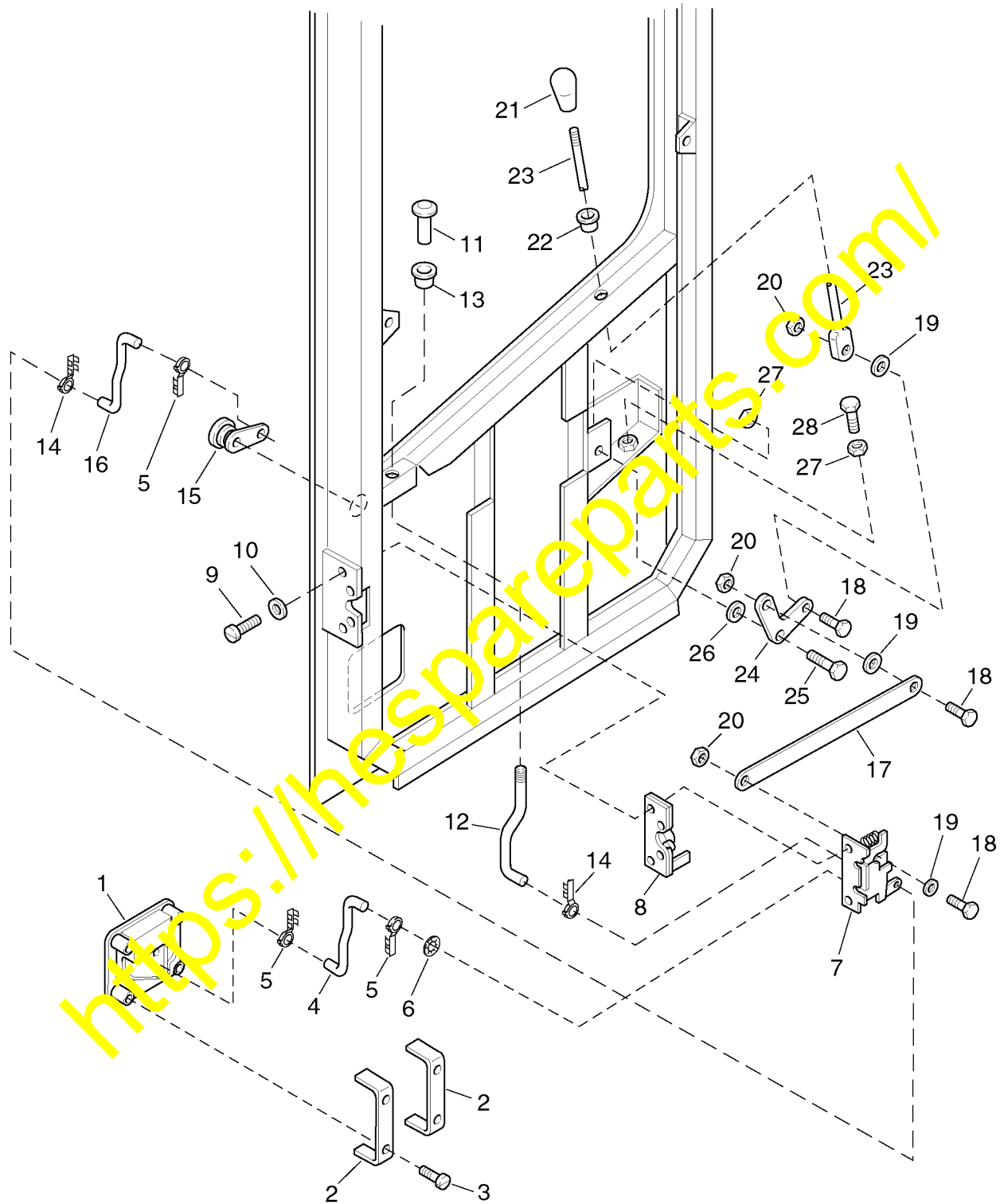
OPERATOR'S CAB  
DOOR



OPERATOR'S CAB DOOR			
Item	Part Number	Description	Qty
		CAB ASSEMBLY	1
1	419-926-AB10	.DOOR, L.H.	1
	419-926-AC10	.DOOR, R.H.	
2	416-926-A580	.SEAL	1
3	416-926-A520	.WINDOW, SLIDING L.H.	1
	416-926-A620	.WINDOW, SLIDING R.H.	1
4	419-926-AB50	.COVER, L.H.	1
	419-926-AC50	.COVER, R.H.	1
5	419-926-AB40	.SHEET, L.H.	1
	419-926-AC40	.SHEET, R.H.	1
6	421-09-21410	.SCREW	9
7	423-926-2830	.HANDRAIL, L.H.	1
	423-926-2630	.GRIP, R.H.	1
8	01435-01025	.BOLT, L.H.	3
	01435-01025	.BOLT, R.H.	2
9	417-56-21540	.HINGE	2
10	01642-30823	.WASHER	4
11	01010-30825	.BOLT	4



### OPERATOR'S CAB R.H. DOOR LOCK

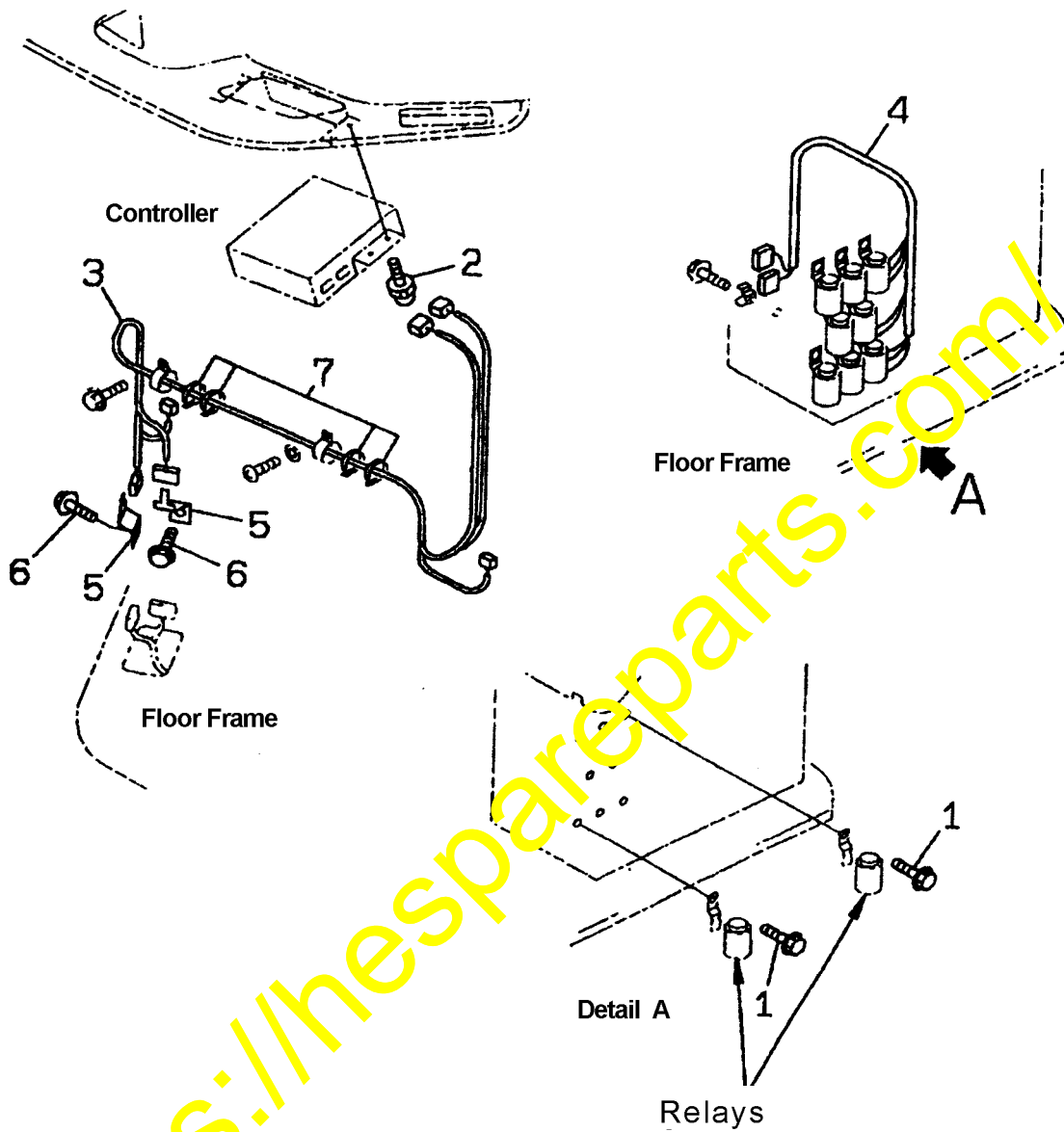


<b>OPERATOR'S CAB R.H. DOOR LOCK</b>			
<b>Item</b>	<b>Part Number</b>	<b>Description</b>	<b>Qty</b>
		CAB ASSEMBLY	
		..DOOR ASSEMBLY	1
1	423-926-A620	..PADDLE HANDLE ASSEMBLY, R.H. DOOR	1
2	417-926-AS30	..MOUNTING BRACKET, PADDLE HANDLE	2
3	423-929-A530	..SCREW, TRUSS HD	4
4	416-926-A720	..ROD	1
5	423-926-A570	..ROD CLIP (7L)	3
6	419-926-AD60	..RETAINING RING	1
7	423-926-AB50	..LINKAGE ASSEMBLY, R.H. DOOR	1
8	416-926-A550	..ROTOR LATCH ASSEMBLY, R.H. DOOR	1
9	416-926-A690	..BOLT, HEX	4
10	416-926-A680	..WASHER, FLAT	4
11	423-926-A870	..KNOB, DOOR LOCK	1
12	416-926-AE50	..ROD, DOOR LOCK	1
13	423-926-A990	..BUSHING	1
14	423-926-A590	..ROD CLIP (7R)	2
15	427-56-11790	..LOCK ASSEMBLY	1
16	416-926-A720	..ROD	1
17	416-926-AE40	..PLATE-LINKAGE	1
18	01090-80625	..BOLT	3
19	234781 H1	..WASHER, NYLON	3
20	01598-00608	..NUT	3
21	417-927-AJ40	..KNOB	1
22	423-926-A980	..BUSHING	1
23	423-926-A860	..ROD, DOOR LATCH	1
24	423-926-AA30	..PLATE, PIVOT	1

<b>OPERATOR'S CAB R.H. DOOR LOCK</b>			
<b>Item</b>	<b>Part Number</b>	<b>Description</b>	<b>Qty</b>
25	01010-81030	..BOLT	1
26	416-926-A170	..WASHER, PLASTIC	1
27	01598-01011	..NUT	2
28	01010-80825	..BOLT	1

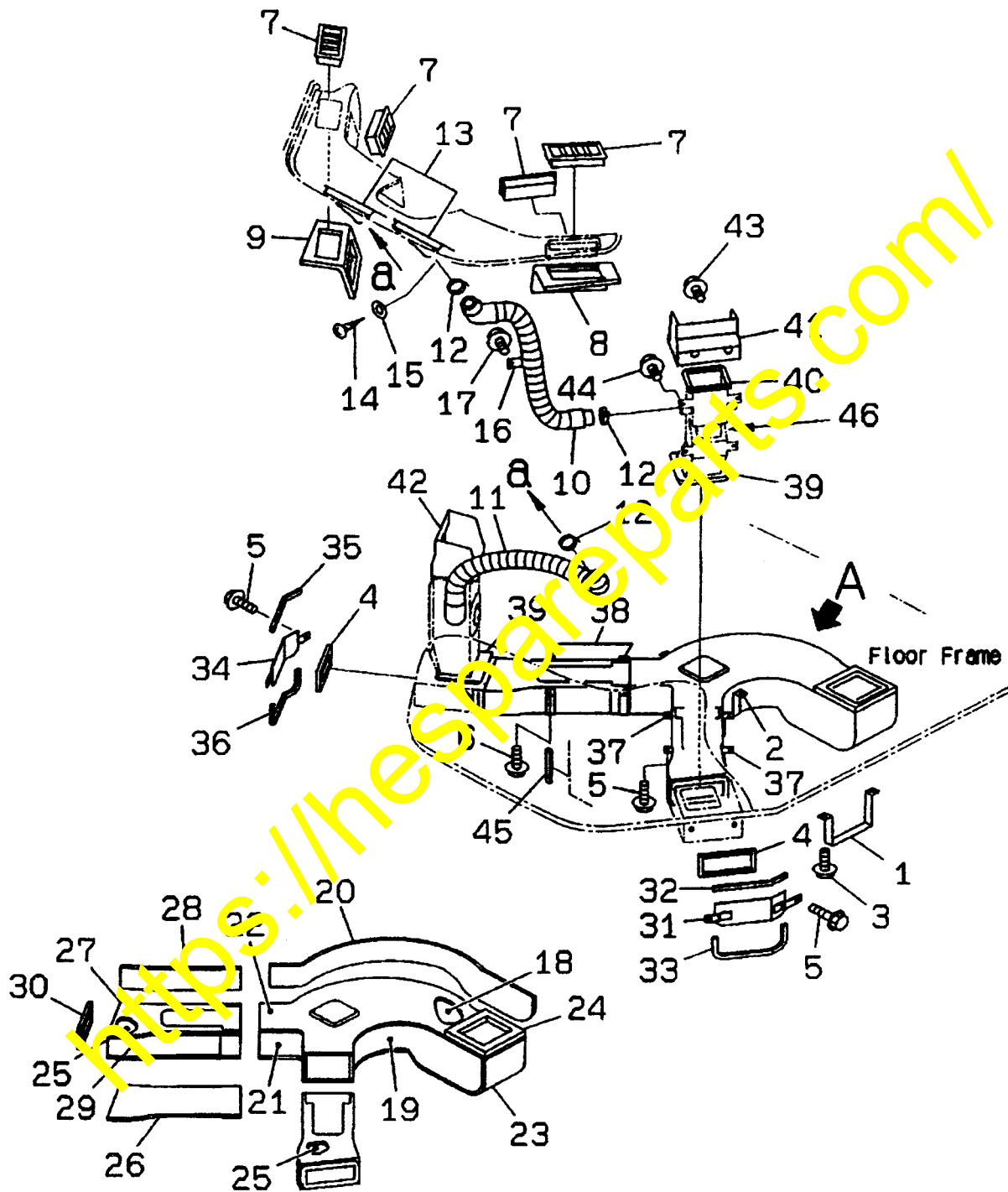
<https://hespareparts.com/>

**AIR CONDITIONER  
ELECTRICAL AND MOUNTING**



Item	Part Number	Description	Qty
1	01435-00612	BOLT	8
2	421-09-21410	SCREW	4
3	425-S61-2112	HARNESS, WIRING	1
4	425-S61-2121	HARNESS, WIRING	1
5	08053-01510	CLIP	2
6	01435-01016	BOLT	2
7	306 132 C1	BAND	7

# AIR CONDITIONER VENT DUCT



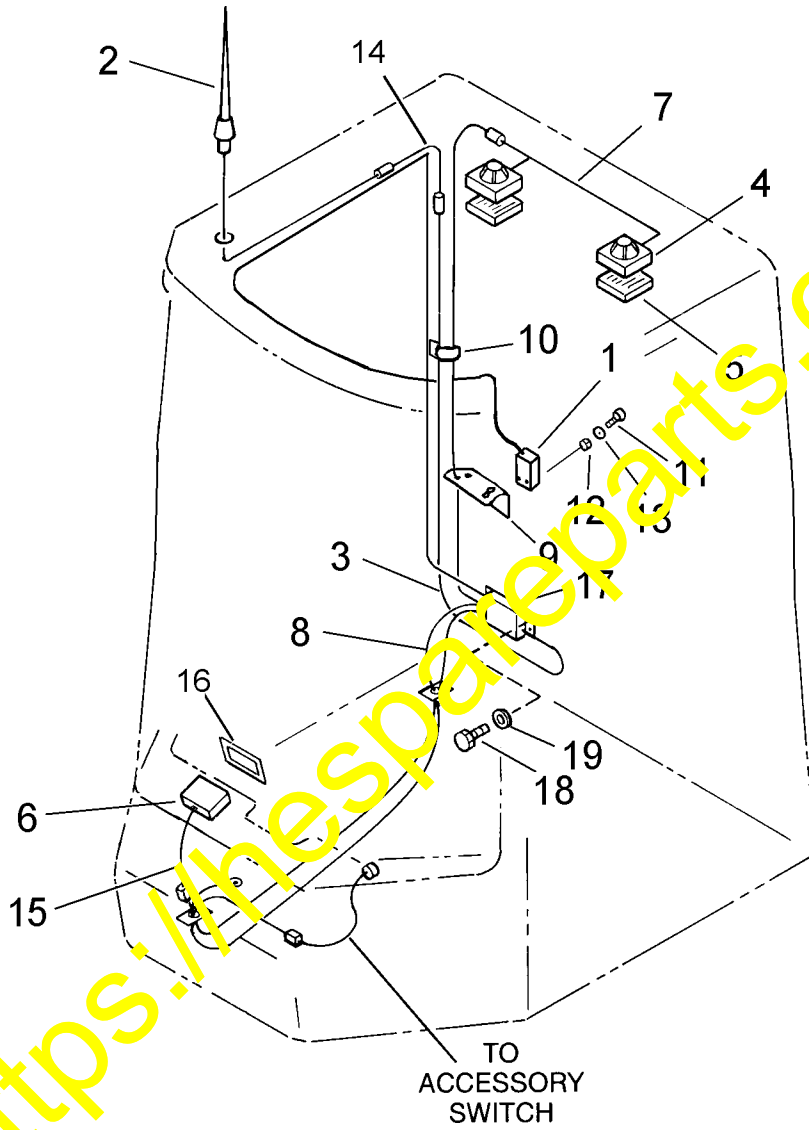
Detail A

VLPB0171

AIR CONDITIONER VENT DUCT			
Item	Part Number	Description	Qty
1	421-07-23650	CLAMP	1
2	421-07-23660	CLAMP	1
3	01435-01016	BOLT	4
4	421-07-23760	SHEET	2
5	01435-01016	BOLT	8
6	01435-01016	BOLT	4
7	421-07-23870	GRILLE	4
8	421-07-23880	SHEET, L.H.	1
9	421-07-23890	SHEET, R.H.	1
10	421-07-23940	HOSE, DEFROSTER	1
11	421-07-23910	HOSE, DEFROSTER	1
12	07281-00489	CLAMP	2
13	421-07-23990	NOZZLE	2
14	417-967-A090	SCREW	4
15	01611-04045	WASHER	4
16	21K-62-21660	CLIP	1
17	01435-01025	BOLT	1
	421-07-23600	DUCT ASSEMBLY, AIR	1
18	421-07-23610	.DUCT, AIR	1
19	423-07-23110	.SHEET	1
20	423-07-23120	.SHEET	1
21	423-07-23130	.SHEET	1
22	423-07-23140	.SHEET	1
23	423-07-23150	.SHEET	1
24	421-07-23771	.SHEET	1
	421-07-23620	DUCT ASSEMBLY, AIR	2

AIR CONDITIONER VENT DUCT			
25	421-07-23640	.DUCT, AIR	1
26	423-07-23160	.SHEET	1
27	423-07-23170	.SHEET	1
28	423-07-23180	.SHEET	1
29	423-07-23190	.SHEET	1
30	423-07-23211	.SHEET	1
	421-S62-2230	PLATE ASSEMBLY, L.H.	1
31	421-S62-2251	.PLATE	1
32	421-S62-2270	.FINISHER	1
33	421-S62-2280	.FINISHER	1
	421-S62-2240	PLATE ASSEMBLY, R.H.	1
34	421-S62-2261	.PLATE	1
35	421-S62-2270	.FINISHER	1
36	421-S62-2280	.FINISHER	1
37	421-07-23670	CLAMP	2
38	421-07-23680	CLAMP	2
39	421-07-23810	SHEET	2
40	421-07-23820	SHEET	2
41	421-07-23830	DUCT, L.H.	1
42	421-07-23840	DUCT, R.H.	1
43	01435-00612	BOLT	4
44	01435-00616	BOLT	8
45	421-54-22960	PROTECTOR	1
46	425-07-21152	DUCT, AIR ASSEMBLY	2

**RADIO**  
AM/FM CASSETTE



<https://mespareparts.com/>



<b>RADIO AM/FM CASSETTE</b>			
1	417-967-A030	CRADLE, RADIO MODULE	1
	417-967-A080	HARDWARE KIT, RADIO	1
	01220-40420	.SCREW	2
	01641-20405	.WASHER	2
	01580-10403	.NUT	2
	306 137 C1	.STRAP	8
	935 522 C1	.NYLON TIE	4
2	417-967-A180	ANTENNA	1
3	417-967-A190	ANTENNA EXTENSION, 48 IN.	1
4	417-967-A160	SPEAKER	2
5	417-967-A170	GRILLE	2
6	417-967-A050	CASSETTE DECK	1
7	417-967-A111	HARNESS, SPEAKER	1
8	417-967-A140	HARNESS, CASSETTE WIRING	1
9	417-967-A250	BRACKET	1
10	421-54-15520	CLIP	1
11	01220-40420	SCREW	2
12	01580-10403	NUT	2
13	01641-20405	WASHER	2
14	417-967-A220	ANTENNA EXTENSION, 12 IN.	1
15	417-967-A280	CABLE	1
16	417-967-A150	PLATE, DIN MOUNTING	1
17	417-967-A0120	MODULE, RADIO/STEREO	1
18	417-967-A090	SCREW	4
19	01643-30623	WASHER	4