

PARTS & SERVICE NEWS

REF NO.	AA01254
DATE	Dec. 21, 2001

SUBJECT: MODIFICATION OF BOOM CYLINDER BACKHOE ATTACHMENT

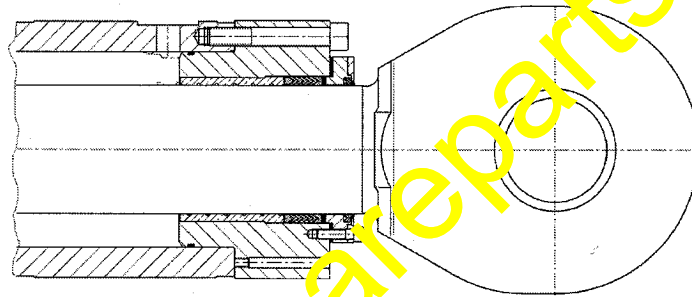
PURPOSE: Improvement of design

APPLICATION: H255S Backhoe S/N 06171
PC3000 Hydraulic Shovel S/N 06174, 06182

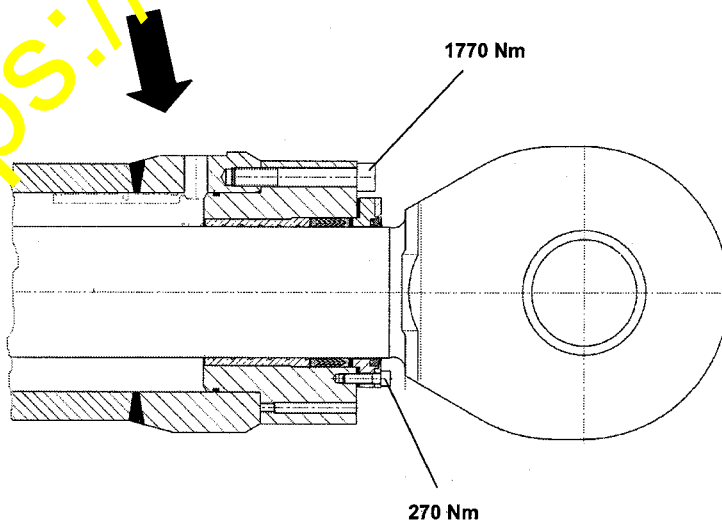
FAILURE CODE: H164Z9

DESCRIPTION:

OLD VERSIOIN (P/N 912 605 40)



NEW VERSION (P/N 917 875 40)

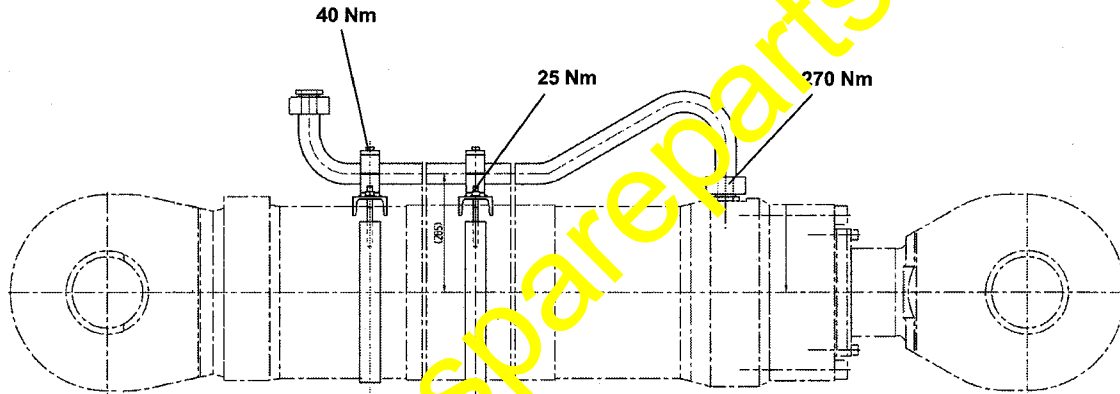


REQUIRED PARTS FOR THE MODIFICATION:

- Cylinder Barrel P/N 917 838 40
- Pipe assembly P/N 792 103 40

MODIFICATION PROCEDURE:

- *We recomend carrying out disassembly and assembly of the cylinder in a vertical position.*
- Remove the piston rod assembly of the old design cylinder
- Install the piston rod assembly to the new designed cylinder barrel
- Install the new designed pipe assembly (with ring and seal)



Ref: AH01538