

# PARTS & SERVICE NEWS

REF NO.	AA02013
DATE	December 14, 2001

**SUBJECT:** 930E IMPROVED ROCK EJECTOR

**PURPOSE:** To inform the field of an improved rock ejector that has been designed for severe applications.

**APPLICATION:** Komatsu 930E Dump Trucks AFE48-A & Up, A30019, A30026 and Up

**FAILURE CODE:** 7B51Z9

**DESCRIPTION:** 930E Improved Rock Ejector

Some 930E dump trucks that operate in severe applications have experienced problems with the reliability of the rock ejectors. In order to improve the rock ejector for operation in severe applications, a new heavy duty design has been developed and made available for the 930E.

The parts that are required for this upgrade are listed in Table 1.

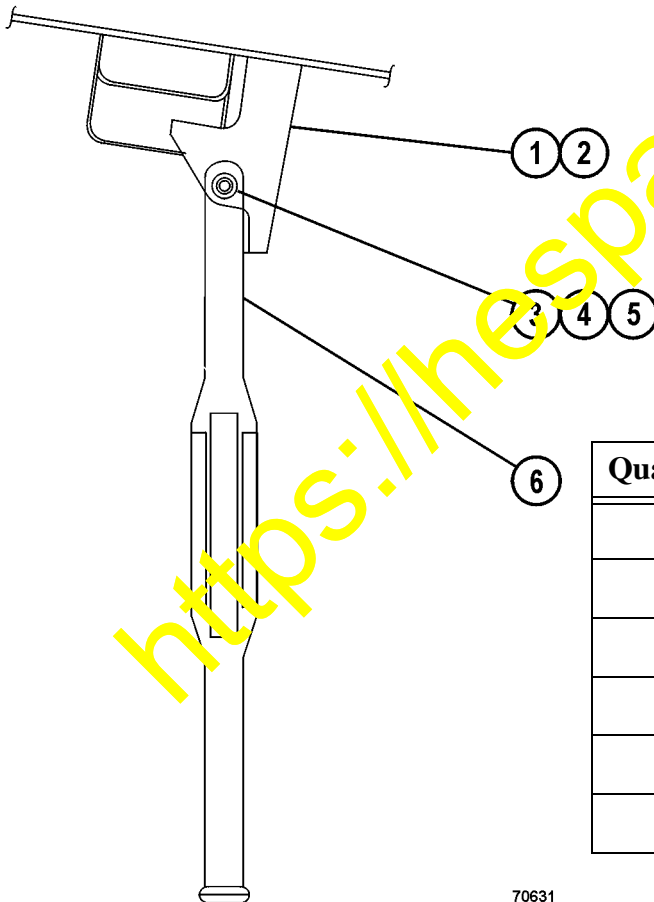


Table 1. 930E Rock Ejector Parts List

Quantity	Part Number	Description
1	EJ7563	Mount Structure (Right)
1	EJ7564	Mount Structure (Left)
2	EJ7574	Pin Structure
2	VC6188	Flat Washer
2	C2508	Cotter Key
2	EJ7567	Arm Structure

70631

FIGURE 1. IMPROVED ROCK EJECTOR

- 1. Mount Structure (Right)
- 2. Mount Structure (Left)
- 3. Pin Structure
- 4. Flat Washer
- 5. Cotter Key
- 6. Arm Structure