

PARTS & SERVICE NEWS

REF NO.	AA02017A
DATE	Dec. 11, 2003

(C)

This **Parts & Service News** supercedes AA01149 dated July 12, 2001 and AA02017 dated January 10, 2002, and both should be discarded.

SUBJECT: IMPROVED AIR CONDITIONER COMPRESSOR BRACKET

PURPOSE: To notify the field

APPLICATION: WA120-3L Wheel Loader, S/N A30001 and up
 WA180-3L Wheel Loader, S/N A80001 and up
 WA180PT-3L Wheel Loader, S/N A85001 and up
 WA180-3PTC Wheel Loader S/N A85001 and up

FAILURE CODE: 874AHC

DESCRIPTION:

The air conditioner compressor bracket and strap have been known to crack. An improved bracket and strap have been released for service. The new design will eliminate failure.

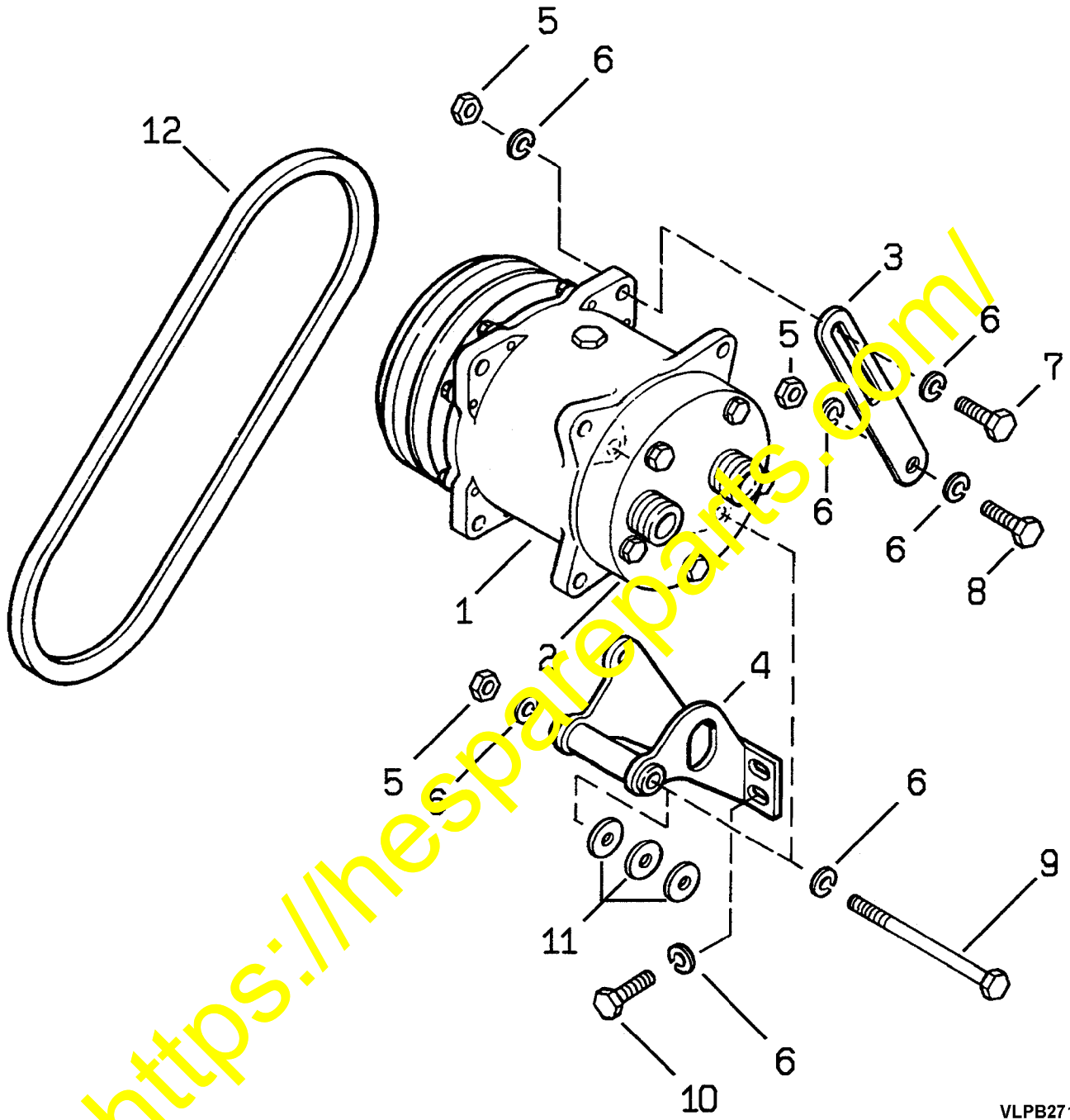
PARTS LISTS:

PART NUMBER		Description	Torque Nm/ lb.ft.	No. on Illustration
OLD	IMPROVED			
417-963-A440	417-963-A441	Bracket, compressor		4
417-963-A450	417-963-A451	Strap, tensioner		3
01580-11008	01594-01008	Locknut	39-49/29-36	5

Order parts from Parts Distribution Center, Ripley, Tn.

Assembly Instruction:

When installing A/C compressor, ensure that there are no gaps between the A/C compressor mounting bars and the compressor bracket. Always install shims to fill in the gaps, which will prevent bending of the compressor mounting bars, and ensure good clamping surface. If shims are need, order Kit Part Number 419-963-A360.



VLPB2714

	417-963-A290	COMPRESSOR ASSEMBLY, FREON.	1
1		.COMPRESSOR	1
2	419-963-AB40	.HEAD, COMPRESSOR	1
3	417-963-A451	STRAP, TENSIONER.	1
4	417-963-A441	BRACKET, COMPRESSOR	1
5	01594-01008	NUT, LOCK	3
6	01643-31032	WASHER.	10
7	01010-51040	BOLT.	1
8	01010-51035	BOLT.	1
9	416-963-A430	BOLT.	1
10	01010-51025	BOLT.	4
11	419-963-AB60	KIT, SHIM	1
12	417-963-A640	BELT, DRIVE	1

<https://hespareparts.com/>