

PARTS & SERVICE NEWS

REF NO. AA02023

DATE January 11, 2002

(C)

Page 1 of 3

SUBJECT: CORRECTION OF RADIATOR ASSEMBLY PART NUMBERS

PURPOSE: To provide the correct part numbers for the radiator assembly.

APPLICATION: WA500-3LK Wheel Loader Serial Number A71001 and UP

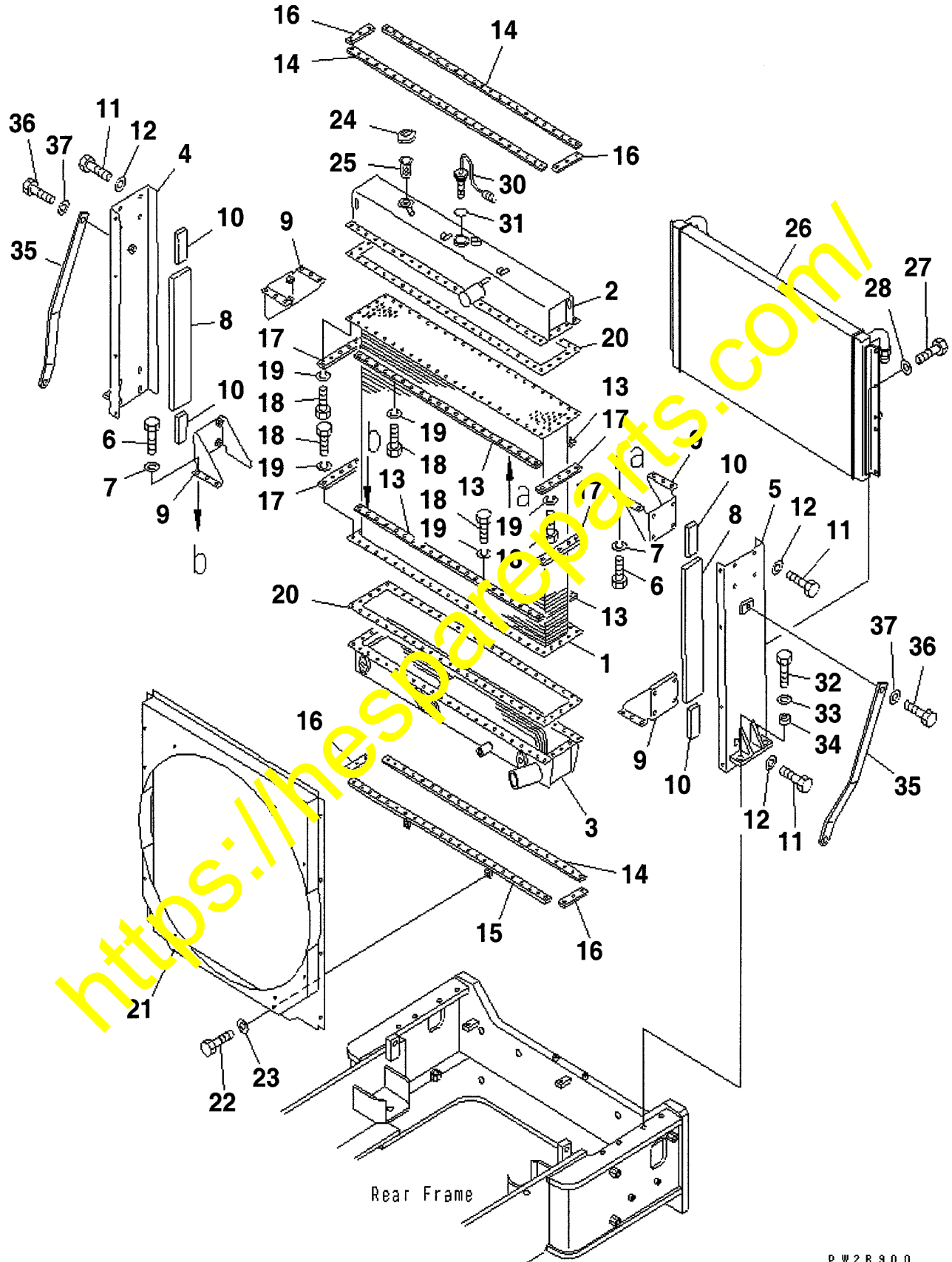
FAILURE CODE: 0310Z9

DESCRIPTION:

This Parts & Service News provides the correct part numbers for the radiator assembly.

<https://hespareparts.com/>

RADIATOR-COMPLETE ASSEMBLY



PW2B900

Item	Part No.	Description	Qty
	425-03-21900	RADIATOR ASSEMBLY	1
	425-03-21700	.CORE ASSEMBLY	1
1	425-03-21710	..CORE	1
2	425-03-21720	..TANK, UPPER	1
3	425-03-21520	..TANK, LOWER	1
4	425-03-21730	..SUPPORT, R.H.	1
5	425-03-21740	..SUPPORT, L.H.	1
6	01010-81035	..BOLT	24
7	01602-21030	..WASHER, SPRING	24
8	425-03-21750	..PACKING	2
9	425-03-21550	..BRACKET	4
10	425-03-11350	..PACKING	4
11	01010-81225	..BOLT	16
12	01643-31232	..WAHSER	16
13	425-03-11171	..PLATE	4
14	425-03-11340	..PLATE	3
15	425-03-11290	..PLATE	1
16	421-03-11260	..PLATE	4
17	423-03-11181	..PLATE	4
18	01010-81030	..BOLT	80
19	01602-21030	..WAHSER, SPRING	80
20	425-03-11192	..GASKET	2
21	425-03-21760	.SHROUD	1
22	01010-81025	.BOLT	10
23	01643-31032	.WASHER	10
24	421-03-21210	CAP ASSEMBLY	1
25	101-03-13160	.STRAINER	1
26	425-03-21910	.OIL COOLER ASSEMBLY	1
27	01010-81020	.BOLT	8
28	01643-31032	.WASHER	8
30	7861-92-4500	SENSOR, RADIATOR WATER LEVEL	1
31	07002-23634	O-RING	1
32	01010-62070	BOLT	4
33	01643-32060	WASHER	4
34	425-03-12170	SPACER	4
35	425-03-21110	PLATE	2
36	01010-82055	BOLT	4
37	01643-32060	WASHER	4