

PARTS & SERVICE NEWS

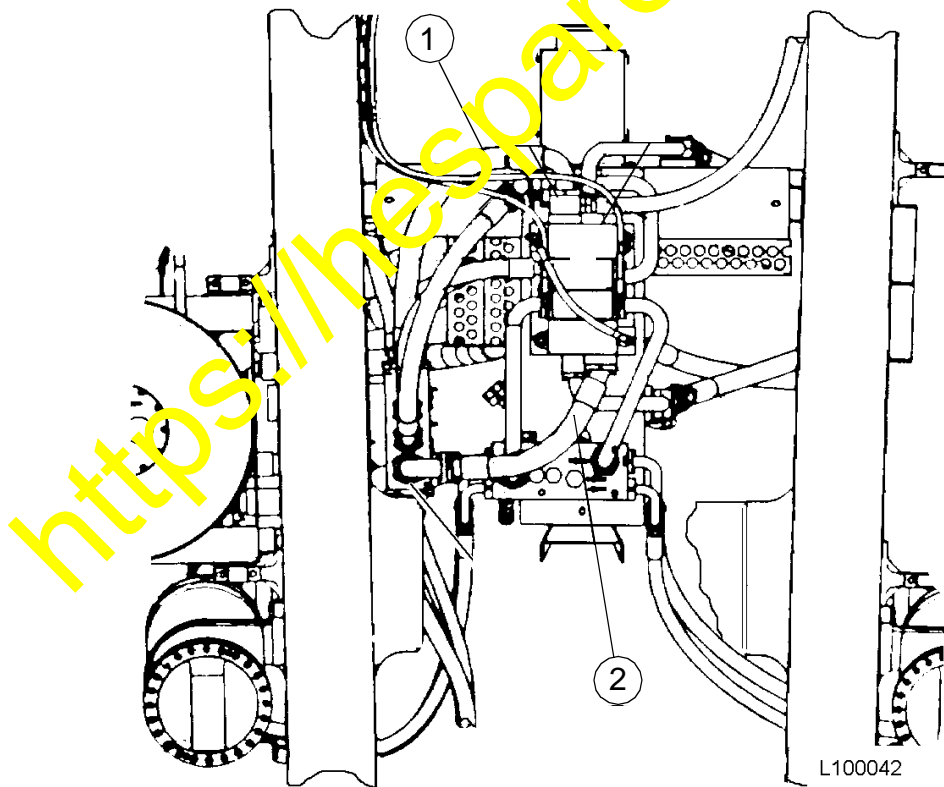
REF NO. AA02236

DATE October 28, 2002

Page 1 of 2

- SUBJECT:** BRAKE COOLING SUPPLY HOSE LEAKAGE
- PURPOSE:** To introduce two kits for replacing possible leakage points in the hydraulic system.
- APPLICATION:** Komatsu 930E Dump Trucks A30156-A30170, A30172-A30182, A30184-A30293, A30295-A30303
- FAILURE CODE:** 0398AA
- DESCRIPTION:** Hose Replacement Kits (XK0171 & XK0173)

Some trucks in operation may experience oil leakage from the two brake cooling supply hoses (1 & 2, Figure 1) that are connected to the hoist control valve. The leakage can be attributed to hose geometry coupled with pressure spikes from normal hoist system operation. Two kits have been developed for replacement of the hoses and related components, as well as slight changes in hose routing. Hose replacement kit (XK0171) replaces hose (HA7701) and hose replacement kit (XK0173) replaces hose (HA7712). Complete listings of the contents of each kit are listed in Table 1 and Table 2. Drawings with installation instructions are included in each kit.



1. Hose Assembly (HA7712) 2. Hose Assembly (HA7701)

FIGURE 1. HOIST VALVE PIPING

TABLE 1. HOSE REPLACEMENT KIT (XK0171)		
Part Number	Description	Quantity
EK3694	Drawing, Hose Replacement Kit	1
C1540	Lockwasher	16
C1615	Capscrew	16
EK3019	Tube	1
EK3021	Tube	1
HA7883	Hose	1
VH6718	Clamp, Split Flange	2
WA0232	O-Ring	4

TABLE 2. HOSE REPLACEMENT KIT (XK0173)		
Part Number	Description	Quantity
EK3695	Drawing, Hose Replacement Kit	1
C1540	Lockwasher	12
C1615	Capscrew	12
EK3017	Tube	1
HA7884	Hose	1
VH6718	Clamp, Split Flange	2
WA0232	O-Ring	3