

PARTS & SERVICE NEWS

REF NO.	AA02242
DATE	November 4, 2002

(C)

SUBJECT: AIR SYSTEM HOSE DAMAGE DUE TO IMPROPER CLAMPING

PURPOSE: To inform the field of replacement parts for air hose clamps.

APPLICATION: Komatsu HD785-5LC Dump Trucks A10254 thru A10291

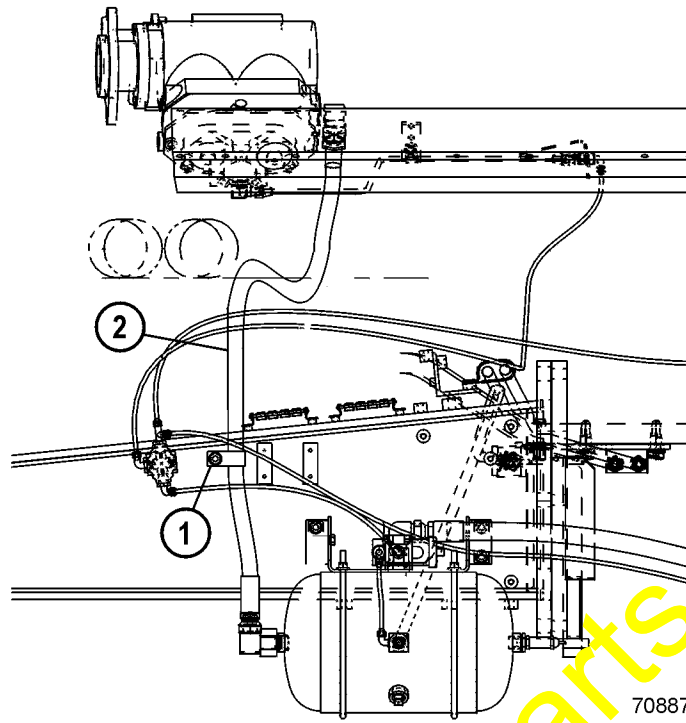
FAILURE CODE: 4595FA

DESCRIPTION:

Some trucks in the field may experience hose damage to the wire-braided hose that connects the air compressor to the air tank. In most cases, this damage can be attributed to chafing between hose (2) and hose clamp (1). *NOTE: Figure 1 applies to units A10271 thru A10274. Figure 2 applies to all other units.*

A two-piece replacement clamp is available to replace the current clamp. Replace clamp (VN9913) with clamp (04434-53411) and cushion (07095-30627). Use the existing hardware to secure the clamp. An inspection of the hose should be performed during clamp replacement. Replace as necessary.

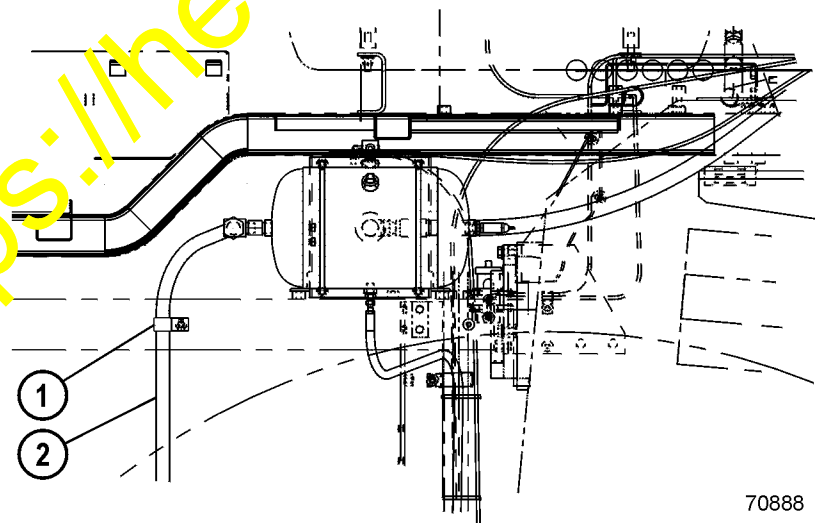
PREVIOUS HOSE CLAMP	REPLACEMENT TWO-PIECE HOSE CLAMP
VN9913	Clamp (04434-53411)
	Cushion (07095-30627)



1. Hose Clamp

2. Wire-Braided Hose

FIGURE 1. AIR HOSE INSTALLATION (TRUCK UNITS A10271 - A10274)



1. Hose Clamp

2. Wire-Braided Hose

FIGURE 2. AIR HOSE INSTALLATION (ALL UNITS EXCEPT A10271 - A10274)