

PARTS & SERVICE NEWS

REF NO.	AA02254
DATE	November 26, 2002

SUBJECT: RADIATOR FAN GUARD BRACE

PURPOSE: To introduce to the field a new kit designed to stabilize the radiator fan guard.

APPLICATION: Komatsu HD1500-5 Dump Trucks A30039 through A30077

FAILURE CODE: 0341PE

DESCRIPTION: Radiator Fan Guard Brace Kit (EK2988).

Some trucks in the field have experienced problems with the radiator fan guard. Unnecessary movement and/or vibration will shorten the useful life of the fan guard. It has been determined that the two piece fan guard requires a brace to increase stability. Refer to Figure 1.

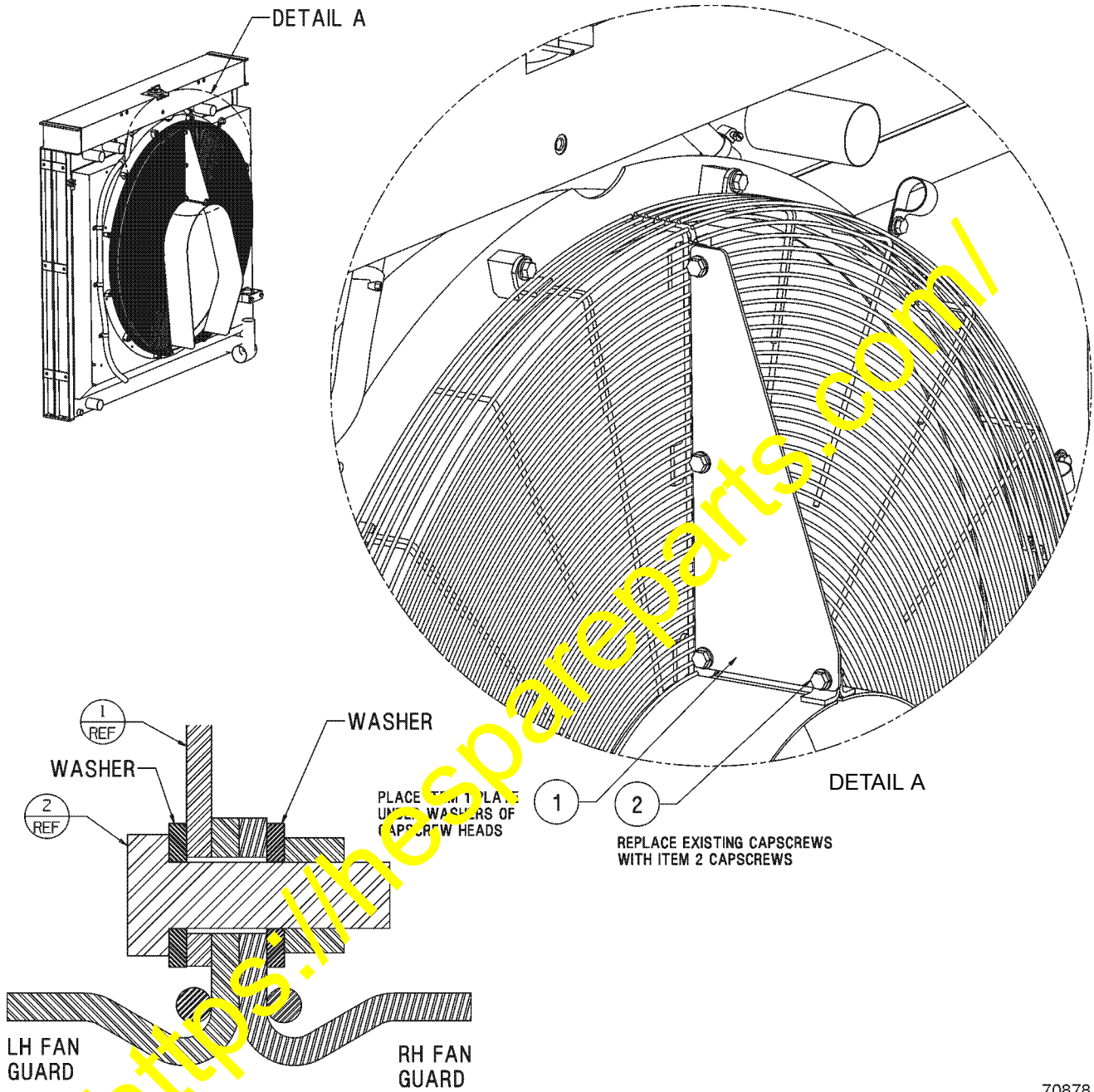
▲WARNING

Severe movement and/or vibration may allow fan guard to interfere with rotating fan, possibly causing further damage and possible injury.

A new kit has been designed to add the required brace. The contents of Radiator Fan Guard Brace Kit (EK2988) are listed below:

Radiator Fan Guard Brace Kit (EK2988)

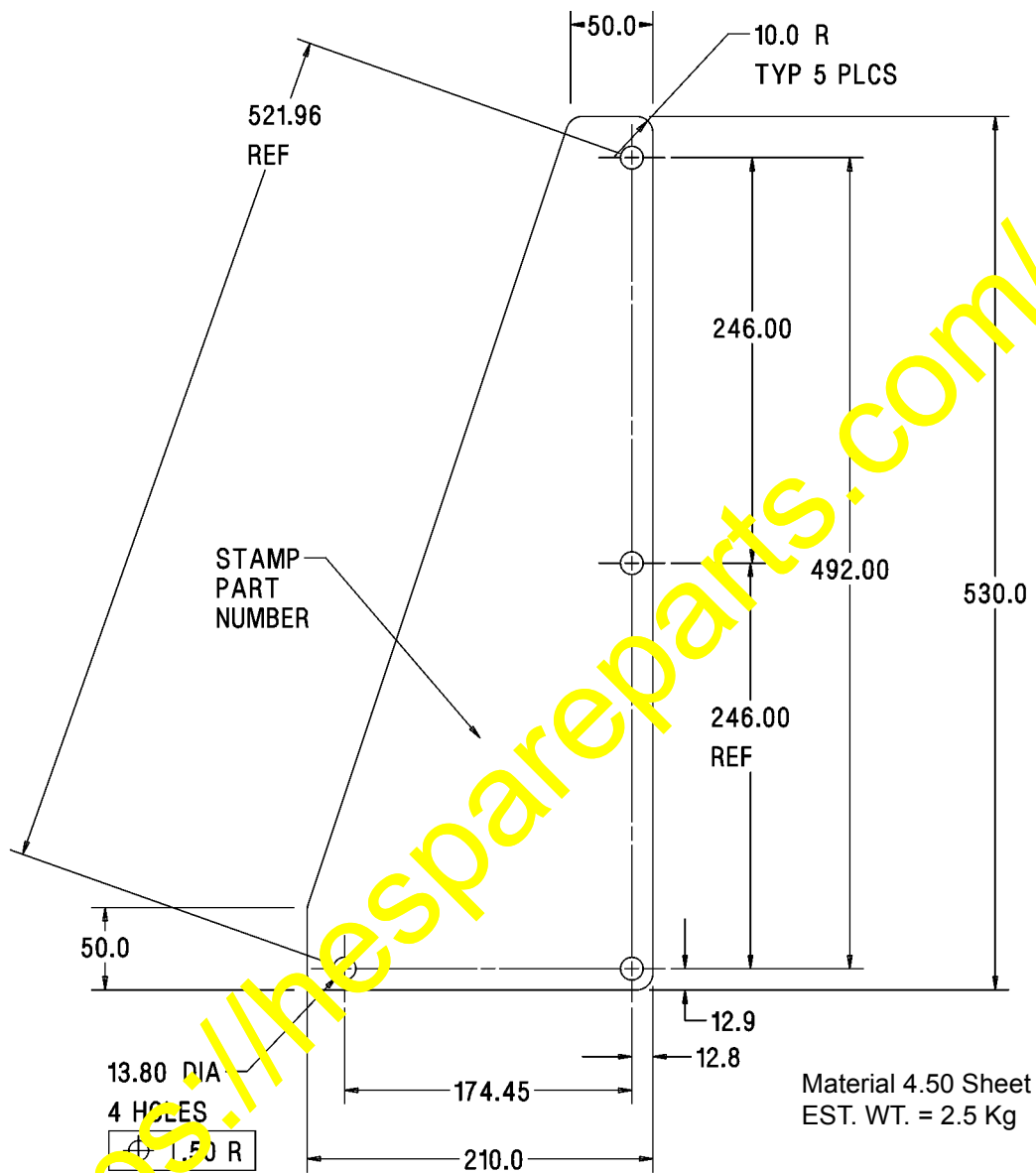
Part Number	Description	Quantity
EK2987	Drawing	
EK2989	Plate Brace	1
01610-61240	Capscrew (M12)	4
01643-31232	Flat Washer	8
MM0720	Hex Nut (M12)	4



70878

FIGURE 1. FAN GUARD BRACE INSTALLATION DRAWING (EK2987)

- 1. PLATE BRACE
- 2. CAPSCREW



NOTE: PREPARATION AND PAINT PER
ISSUANCE 4.36.021 (E)
COLOR = NATURAL YELLOW
LW370-66

70879

FIGURE 2. PLATE BRACE (EK2989)