

PARTS & SERVICE NEWS

REF NO.	AA03009
DATE	January 14, 2003

SUBJECT: LEAKAGE FROM TRANSMISSION REAR COUPLING, SLIDING TYPE

PURPOSE: Introduce a repair procedure for transmission rear coupling leakage.

APPLICATION: WA200-3 Wheel Loader Serial Number 64388, 64394 and 64399
 WA250-3 Wheel Loader Serial Number 60001 and up
 WA250-3L Wheel Loader Serial Number A70001 and up
 WA250-3MC Wheel Loader Serial Number A71001 to A71622
 WA250-3PTC Wheel Loader Serial Number A75001 and up
 WA250PT-3MC Wheel Loader Serial Number A78001 to A78172

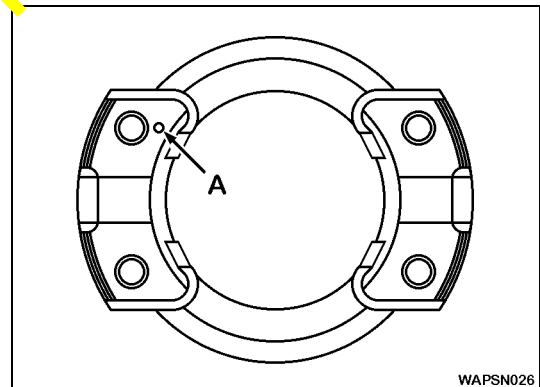
FAILURE CODE: 1546AA

DESCRIPTION: When oil leakage is found from the rear coupling area, replace the old coupling with the new one.

New Part	Description	Old Part
714-13-14121	Rear Coupling	714-13-14120

Improvement

There is a possibility of oil leaking between the coupling and the inside cover. It has been improved by changing the clearance tolerance from a loose fit ① to a tight fit ②. Sealant ③ is now applied on each side of the inside cover. In order to clarify the improved coupling, an identifying mark **A** is punched as shown. Make sure it is indicated on the new part before replacement.



Repair Procedure:

1. Replace the coupling according to the instruction in the shop manual.

