

PARTS & SERVICE NEWS

REF NO. AA03076

DATE April 29, 2003

Page 1 of 2

SUBJECT: BRAKE COOLING FILTER MOUNT AND FUEL TANK GAUGE

PURPOSE: To introduce a kit for improving the brake cooling filter mounting, as well as fuel tank gauge and wiring protection.

APPLICATION: Komatsu Mechanical Drive Dump Trucks:
530M: A30001 thru A30038, 32628;
HD1500-5: A30039 thru A30077

FAILURE CODE: A5B0FA

DESCRIPTION: Fuel Tank/Brake Filter Mounting Kit (XK0209)

The mounting bracket for the brake cooling oil filters was originally welded to the fuel tank, making it difficult to replace when necessary. A new kit has been designed to eliminate the need for welding of this bracket should it ever need replacing. The change in mounting design could potentially eliminate excessive downtime due to filter mounting bracket replacement. The new kit supplies two tapped pads to be welded to the fuel tank. The filter mounting bracket can then bolt directly to the pads for quick and easy removal and installation. Refer to Figure 1.

Additional features included in the kit are components for protecting the fuel gauge and related wiring. A new guard with a rubber flap protects the gauge from mud and debris. New tubes and tube locations better protect the related fuel tank wiring near the gauge and along the top of the tank.

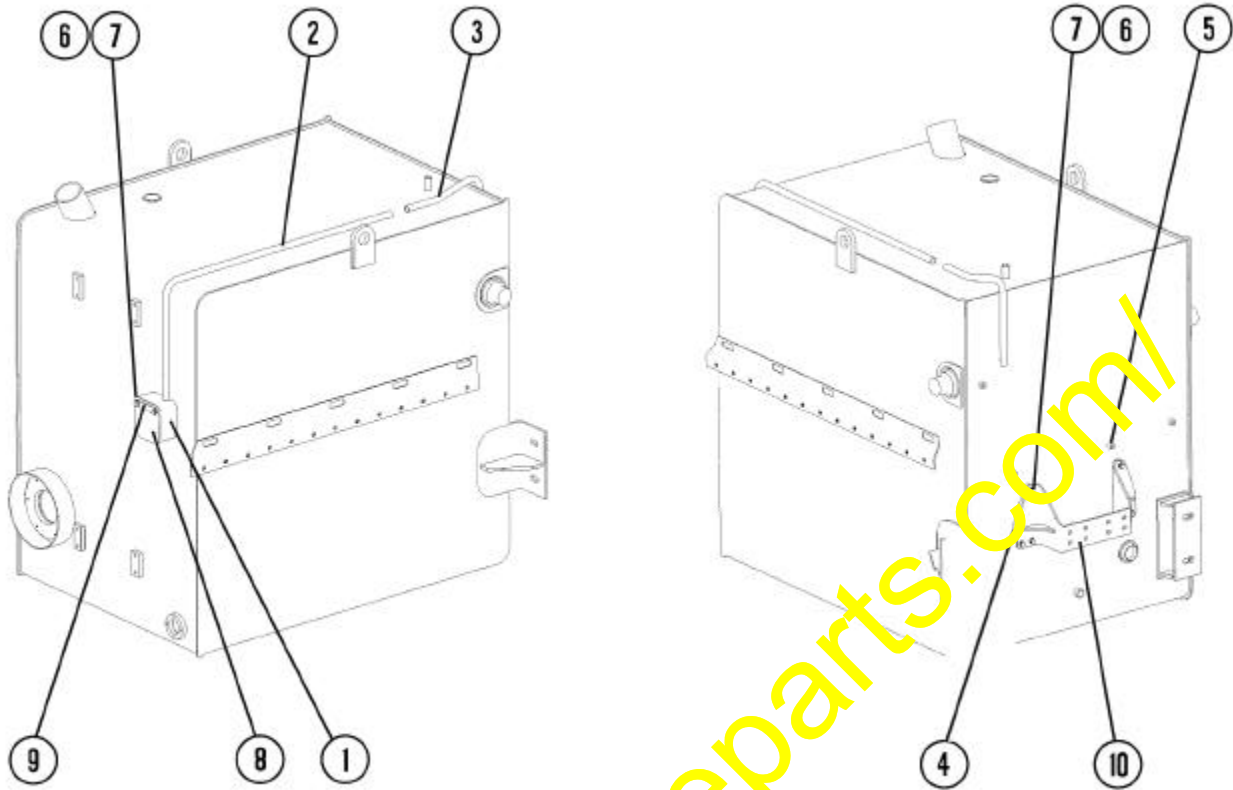
The contents of the kit are listed in Table 1. A drawing is included in the kit and consists of component removal, installation, and welding instructions.

▲ IMPORTANT ▲

When welding, follow the guidelines that are outlined in Parts and Service News, "Field Welding For Assembly or Repair" (AA00046C). For additional welding guidelines, refer to Welding I (SEBF4001) and Welding II (SEBF15002).

▲ WARNING

If a tank is to be weld repaired, special precautions are necessary to prevent fire or explosion. Consult local authorities on safety regulations before proceeding.



70941

FIGURE 1. FUEL TANK AFTER KIT INSTALLATION

Table 1. FUEL TANK/BRAKE FILTER MOUNTING KIT (XK0209)			
Item Number Figure 1.	Part Number	Description	Quantity
-	EK462	Drawing, Fuel Tank/Brake Filter Mounting Kit	1
1	EJ490	Tube Structure	1
2	EK463	Tube, Fuel Tank Top	1
3	EK464	Tube, Fuel Tank Top, Rear	1
4	EJ8439	Pad, Tapped	2
5	01571-01016	Seat	3
6	01010-81025	Bolt	8
7	01643-31032	Washer	8
8	EG0594	Flap	1
9	EH1830	Bar	1
10	EJ8438	Plate Structure	1