

# PARTS & SERVICE NEWS

REF NO. AA03083

DATE May 05, 2003

Page 1 of 2

**SUBJECT:** FRONT AND REAR WHEEL SPEED SENSORS

**PURPOSE:** To announce a guard kit for protecting front and rear wheel speed sensors.

**APPLICATION:** Komatsu Mechanical Drive Dump Trucks:  
530M: A30001 thru A30038, 32628;  
HD1500: A30039 thru A30071

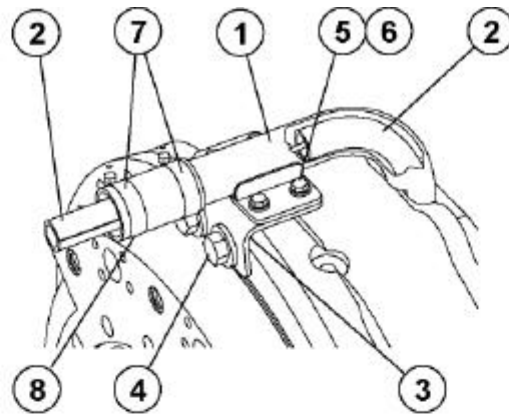
**FAILURE CODE:** DL10FA

**DESCRIPTION:** Speed sensor guard kit (MK4197)

Some trucks in the field have experienced wheel speed sensor damage during operation. A kit has been designed to provide improved protection for both the front and rear wheel speed sensors. Installation instructions are outlined on drawing (EJ4543) included in the kit. The complete contents of the kit are listed below in Table 1. An illustration of the kit installation is shown in Figure 1.

TABLE 1. SPEED SENSOR GUARD KIT (MK4197)

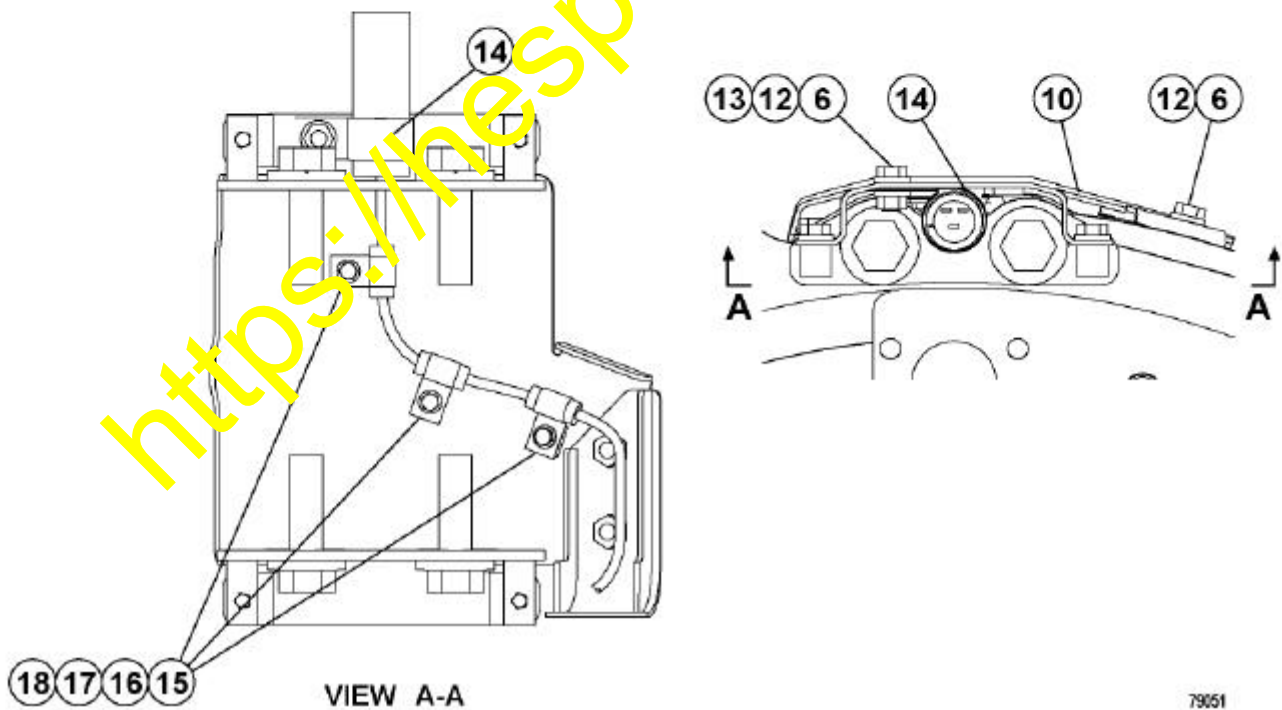
Item Number (Figure 1)	Part Number	Description	Quantity
-	EJ4543	Drawing, Speed Sensor Guard Kit	1
1	EJ2582	Guard, Front Wheel Speed Sensor	2
2	EJ2902	Hose, Rubber	6
3	EJ4537	Plate	2
4	01010-62070	Bolt	12
5	MM0605	Capscrew	8
6	01643-31032	Washer	24
7	VW7927	Clamp, T-Bolt	4
8	EJ2911	Hose, Rubber	2
9	EJ2594	Plate, Rear Guard Mount	4
10	EJ2595	Guard, Rear Wheel Speed Sensor	2
11	EJ2905	Guard, Rear Wheel Speed Sensor	2
12	MM0604	Capscrew	14
13	MM0178	Nut	2
14	TC6058	Clamp, Vinyl	2
15	TG2960	Clamp, Vinyl	6
16	MM0578	Capscrew	6
17	01643-30623	Washer	6
18	EJ2904	Hose, Rubber	6



FRONT WHEEL



REAR WHEEL



VIEW A-A

79051

FIGURE 1. SPEED SENSOR GUARD KIT INSTALLATION