

PARTS & SERVICE NEWS

REF NO.	AA03087A
DATE	August 5, 2003

This Parts & Service News supercedes the previous issuance, AA03087, dated May 23, 2003. AA03087 should be discarded.

- SUBJECT:** 830E LADDER HANDRAIL INTERFERENCE AND VISIBILITY PROBLEMS
- PURPOSE:** To inform the field of an upgrade kit for 830E ladder handrails.
- APPLICATION:** Komatsu 830E Dump Trucks A30662, A30677 - A30696
- FAILURE CODE:** 54L0PC
- DESCRIPTION:** Ladder Handrail Upgrade Kit (XK0205)

The handrail on the ladder interferes with the removal of the LH inboard air cleaner filter element on some 830E dump trucks. Visibility may be obstructed due to the number and positions of handrail posts located around the upper diagonal ladder platform. Refer to Figure 1.

In order to eliminate the interference problem and improve visibility a new kit (XK0205) has been developed to replace some of the handrails. The handrails have been moved closer to the ladder post, providing clearance for air cleaner filter element removal while maintaining an acceptable hand clearance. The handrails surrounding the upper platform were redesigned to reduce the number of vertical posts and reposition the remaining posts such that a limited number of posts are within the operators forward view. The contents of the handrail upgrade kit are listed in Table 1. Refer to rework drawing (EK6626) for complete rework instructions. Figure 2 illustrates the new ladder handrails.

Table 1. Ladder Handrail Upgrade Kit (XK0205)

Part Number	Description	Quantity
EK6626	Ladder/Handrail Rework Drawing	1
EJ7293	Plate, Mounting	3
EG6164	Plate	1
EJ6615	Tab	1
TF8588	Rod, Formed	1
EG0639	Chain Assembly	1
ED7987	Hook Snap	1
EJ8801	Link Connector	1
EK6615	Handrail Structure RH	1
EK6619	Handrail Structure LH	1
EK6610	Handrail Structure	1
EK6620	Tube Structure	1
MM0619	Capscrew M12 x 1.75 x 35 Zinc	5
MM0714	Flatwasher M12 Hardened Zinc Plate	10
MM0694	Locknut M12 x 1.75 Class 10	5

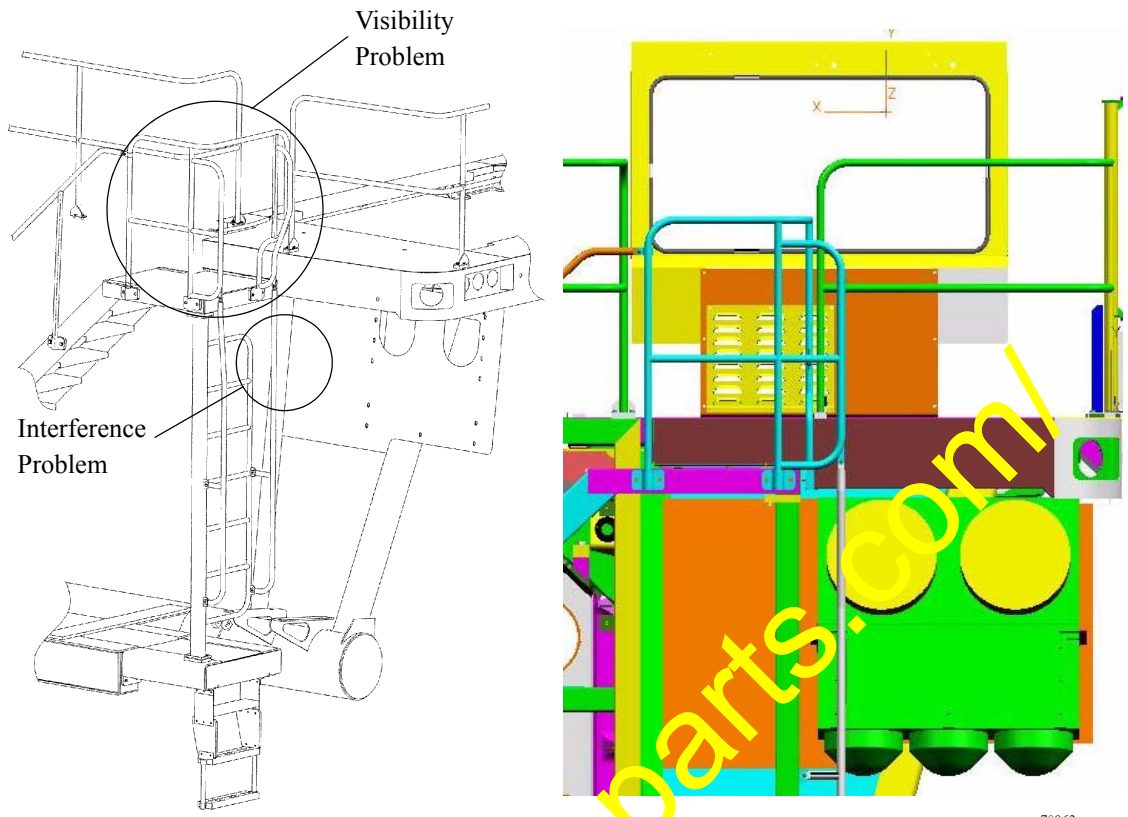


FIGURE 1. EXISTING 830E LADDER HANDRAILS

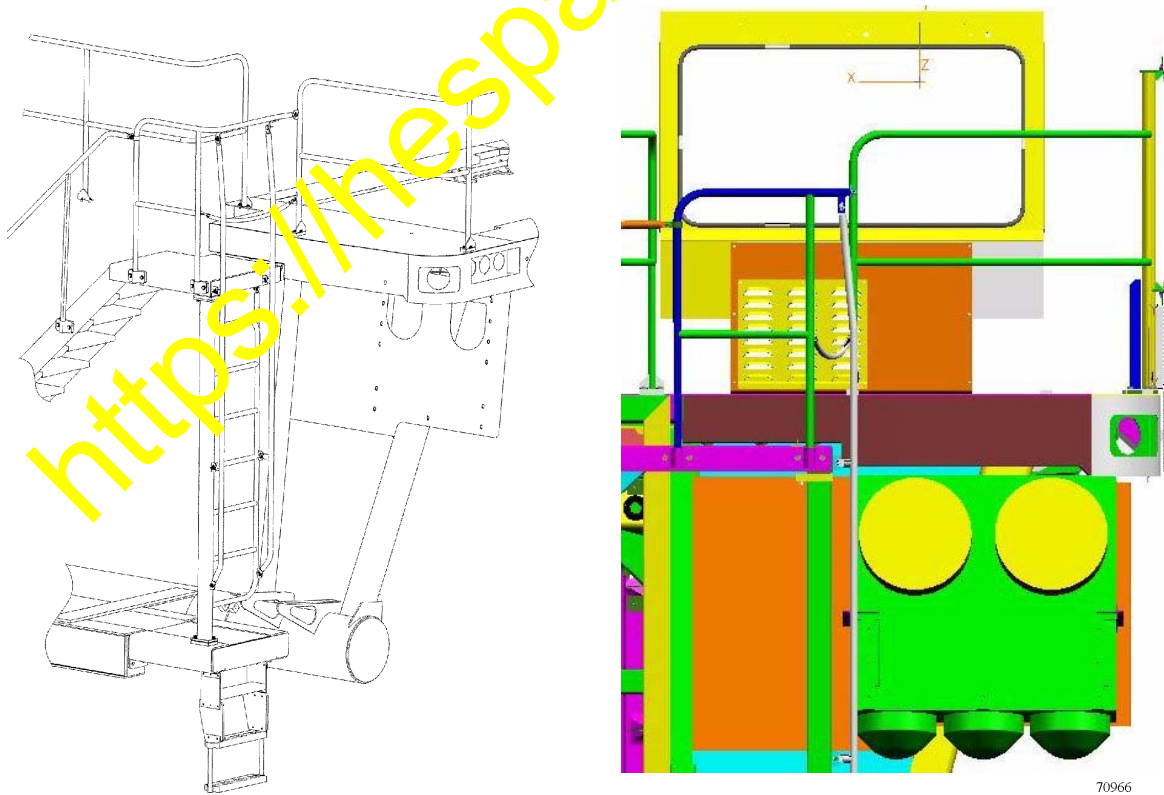


FIGURE 2. NEW 830E LADDER HANDRAILS