

PARTS & SERVICE NEWS

REF NO. AA03102

DATE August 27, 2003

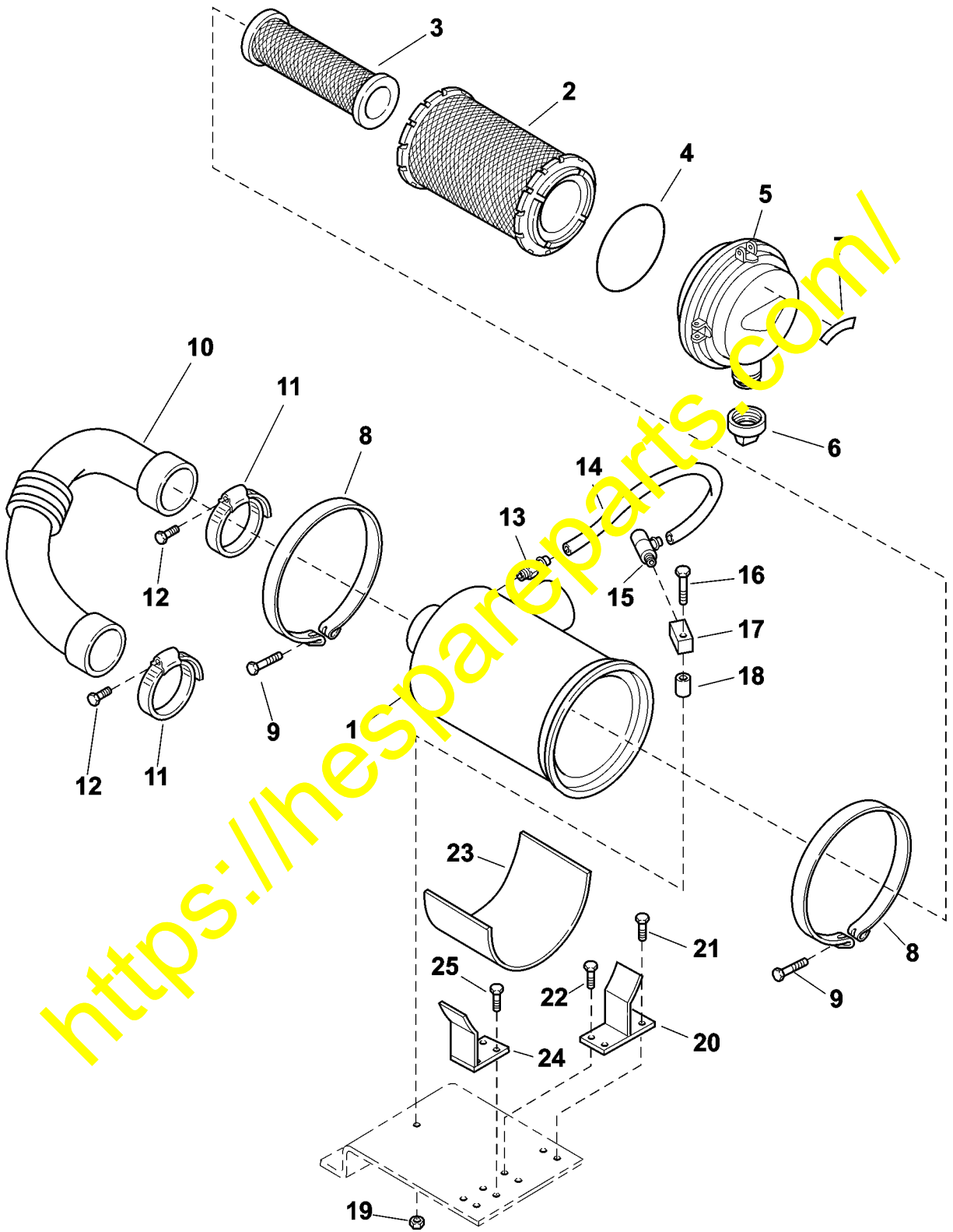
(C)

Page 1 of 3

SUBJECT: AIR CLEANER AND RELATED PARTS**PURPOSE:** Release air cleaner and associated parts.**APPLICATION:** WA250-5L Wheel Loader Serial Number A73001 and up
WA250PT-5L Wheel Loader Serial Number A79001 and up**FAILURE CODE:** AA00Z9**DESCRIPTION:**

This Parts & Service News letter provides service parts information for the air cleaner of machine models listed above.

<https://hespareparts.com/>



AA03102

Item	Description	Part Number	Quantity
	AIR CLEANER ASSEMBLY	6738-81-7400	1
1.	.BODY	6738-81-7410	1
2.	.ELEMENT	600-185-3100	1
3.	..ELEMENT	600-185-3110	1
4.	.O-RING	600-184-1370	1
5.	.COVER ASSEMBLY	600-184-1310	1
6.	.VALVE, DUST	600-184-1350	1
7.	.PLATE, INSTRUCTION	600-181-1930	1
8.	BAND ASSEMBLY	6131-11-4520	2
9.	BOLT	6643-11-4641	2
10.	HOSE	6738-11-4440	1
11.	CLAMP	07299-00105	2
12.	BOLT	01436-01205	2
13.	COUPLING	6743-81-7530	1
14.	HOSE	08671-50030	1
15.	DUST INDICATOR	08670-01001	1
16.	BOLT	01435-01065	1
17.	BLOCK	0217-11-4590	1
18.	SPACER	175-79-83760	1
19.	NUT	01580-01008	1
20.	BRACKET	6738-11-5720	1
21.	BOLT	01435-01030	2
22.	BOLT	01435-00825	2
23.	BRACKET	6738-11-9111	1
24.	BRACKET	6738-11-5571	1
25.	BOLT	01435-00820	2