

# PARTS & SERVICE NEWS

REF NO. AA03111

DATE August 15, 2003

(C)

Page 1 of 2

**SUBJECT:** TRANSMISSION PUMP REPLACEMENT

**PURPOSE:** To introduce transmission pump (PC1577) as a replacement for pump (PC0773).

**APPLICATION:** Komatsu Mechanical Drive Dump Trucks:  
530M: A30001 - A30038, 32628;  
HD1500-5: A30039 and Up

**FAILURE CODE:** J110AA

**DESCRIPTION:** New pump design due to shaft seal leakage through weep hole

Some transmission pumps may experience shaft seal leakage which will result in oil leaking through the weep hole and air entering the pump through the leaking shaft seal. A new pump (PC1577) has been designed to replace pump (PC0773) on a fix-as-fail basis.

The new transmission pump (PC1577) is directly interchangeable with pump (PC0773). The two "single lip" shaft seals (4, Figure 1) used in the older pump have been replaced with a single "double lip" shaft seal (4, Figure 2). The weep hole in the mounting flange has either not been machined or has been permanently plugged in the new pump.

Rebuild kits to convert leaking pumps are not offered because air has entered through the leaking shaft seal and caused internal pump damage beyond economical repair. Existing inventory of new transmission pumps (PC0773) are to be returned for rework by the pump manufacturer.

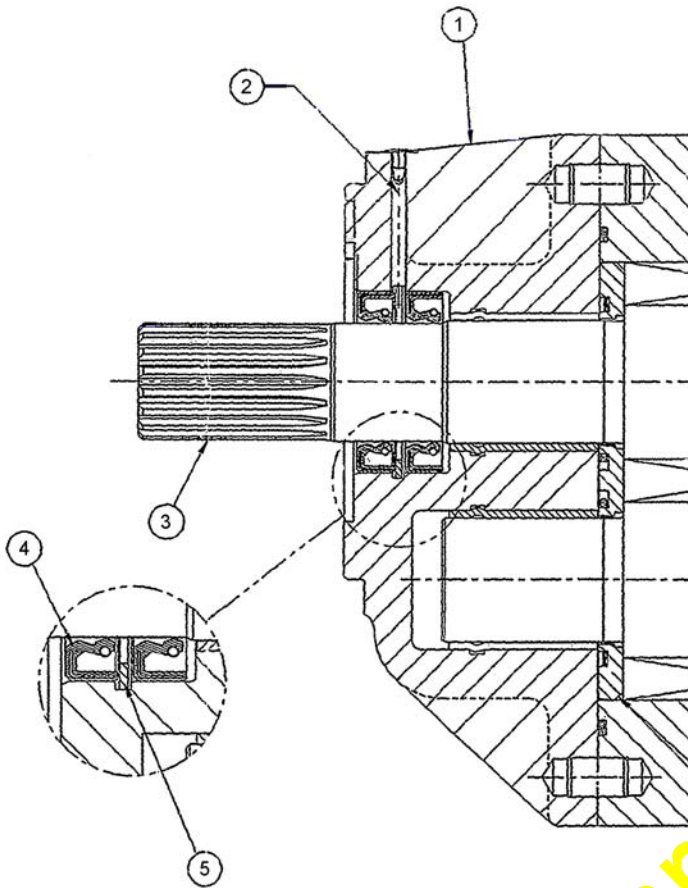


FIGURE 1. PUMP (PC0773)

- 1. Flange
- 2. Weep Hole
- 3. Pump Shaft
- 4. Seals
- 5. Snap Ring

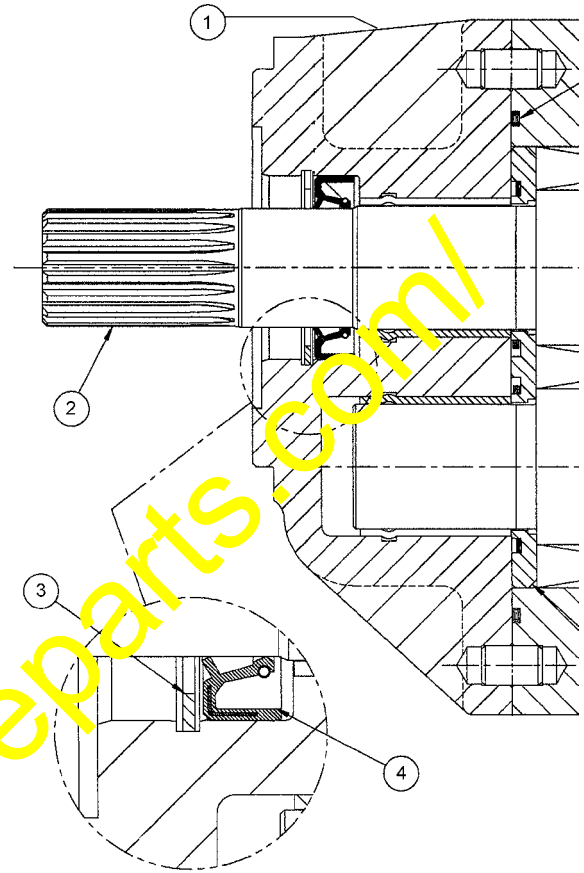


FIGURE 2. PUMP (PC1577)

- 1. Flange
- 2. Pump Shaft
- 3. Snap Ring
- 4. Seal