

PARTS & SERVICE NEWS

REF NO. AA03122

DATE September 18, 2003

(C)

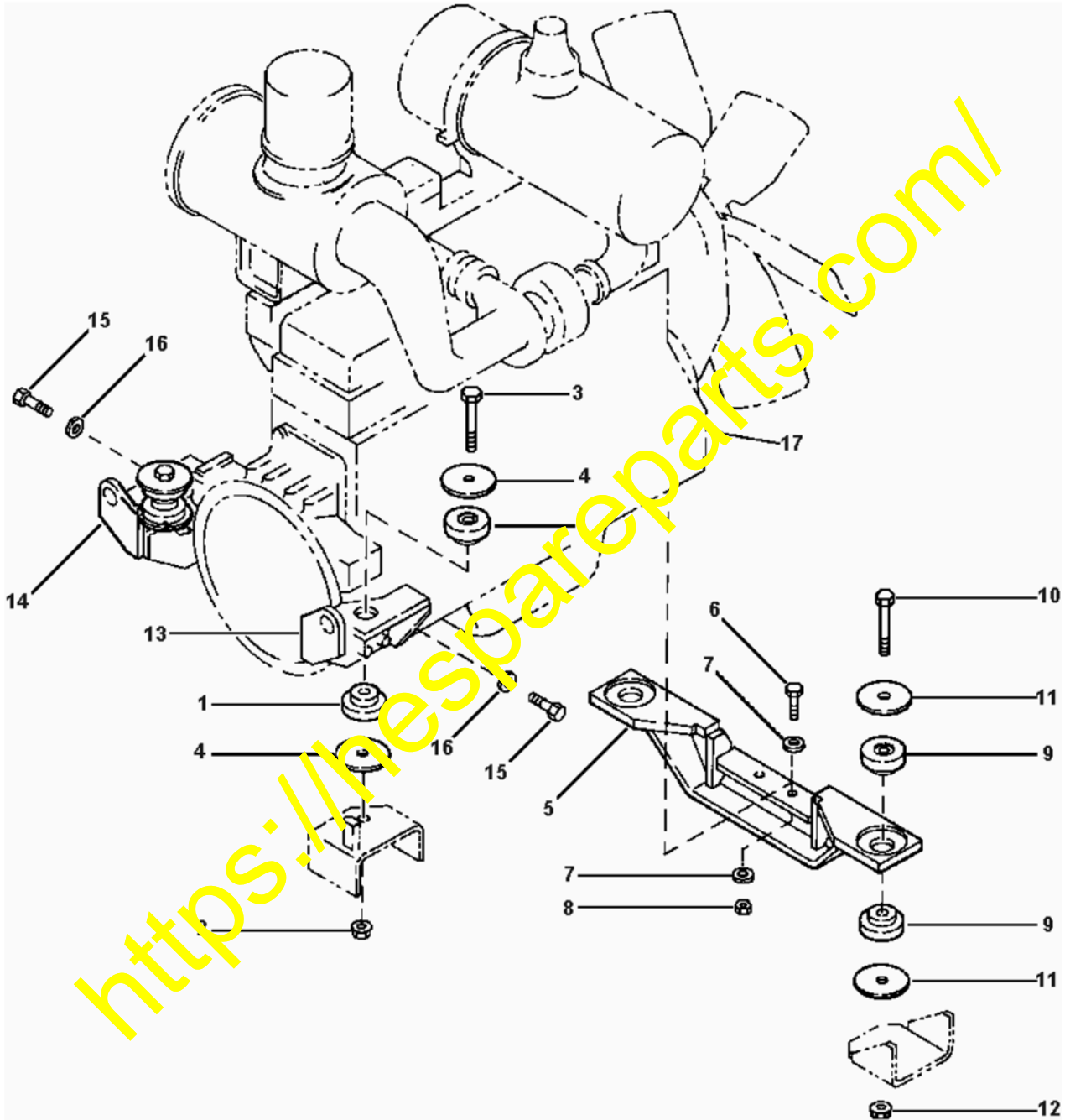
Page 1 of 3

SUBJECT: ENGINE MOUNTING
PURPOSE: Replace engine mounting information in parts book.
APPLICATION: WA500-3L Wheel Loader S/N A70001 and up
FAILURE CODE: 0110Z9
DESCRIPTION: New exploded parts view and list.

Please see following pages.

<https://hespareparts.com/>

B0100-01A1 ENGINE MOUNTING



CM002638

B0100-01A1**ENGINE MOUNTING**

Item	Part Number	Description	Qty.	Ref.	Serial No.
1	425-01-11370	CUSHION	4		A70001 -
2	425-01-11250	NUT	2		A70001 -
3	01011-32225	BOLT.	2		A70001 -
4	424-01-11220	WASHER.	4		A70001 -
5	425-01-11671	SUPPORT, CROSSBEAM-REAR ENGINE MOUNT.	1		A70001 -
6	01010-51660	BOLT.	2		A70001 -
7	01643-31645	WASHER.	4		A70001 -
8	01580-01613	NUT	2		A70001 -
9	425-01-11350	CUSHION	4		A70001 -
10	01011-32225	BOLT.	2		A70001 -
11	424-01-11220	WASHER.	4		A70001 -
12	425-01-11250	NUT	2		A70001 -
13	425-01-11650	SUPPORT, LH-FRONT ENGINE MOUNT.	1		A70001 -
14	425-01-11660	SUPPORT, RH-FRONT ENGINE MOUNT.	1		A70001 -
15	24 874 R1	BOLT, 5/8NC X 1 3/4" FRONT ENGINE MOUNT SUPPORTS.	8		A70001 -
16	01643-31645	WASHER.	8		A70001 -
17		ENGINE ASSY (SEE PAGE A-164).	1		A70001 -