

# PARTS & SERVICE NEWS

REF NO.	AA03127
DATE	September 25, 2003

**SUBJECT:** DIFFERENTIAL CASE SERVICE PARTS

**PURPOSE:** To provide service parts information for the grader final drive housing. This supplements the final drive information presented in PSN AA99030.

**APPLICATION:** 830B Motor Grader Serial Number 200527 and UP  
 830C Motor Grader Serial Number 200527 and UP  
 850B Motor Grader Serial Number 200527 and UP  
 850C Motor Grader Serial Number 200527 and UP  
 870B Motor Grader Serial Number 200527 and UP  
 870C Motor Grader Serial Number 200527 and UP  
 GD530A-2BY Motor Grader Serial Number 202000 and UP  
 GD530A-2CY Motor Grader Serial Number 202000 and UP  
 GD530AW-2BY Motor Grader Serial Number 202000 and UP  
 GD530AW-2CY Motor Grader Serial Number 202000 and UP  
 GD650A-2BY Motor Grader Serial Number 202000 and UP  
 GD650A-2CY Motor Grader Serial Number 202000 and UP  
 GD650AW-2BY Motor Grader Serial Number 202000 and UP  
 GD650AW-2CY Motor Grader Serial Number 202000 and UP  
 GD670A-2BY Motor Grader Serial Number 202000 and UP  
 GD670A-2CY Motor Grader Serial Number 202000 and UP  
 GD670AW-2BY Motor Grader Serial Number 202000 and UP  
 GD670AW-2CY Motor Grader Serial Number 202000 and UP

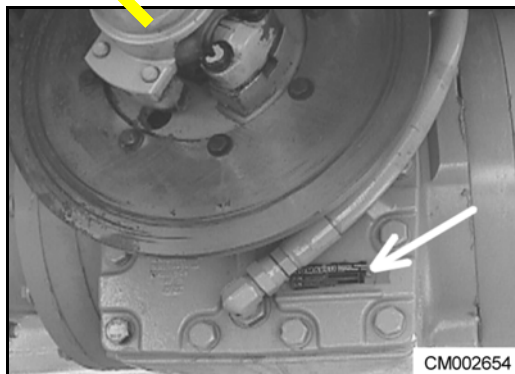
**FAILURE CODE:** 2B10ZC

## DESCRIPTION:

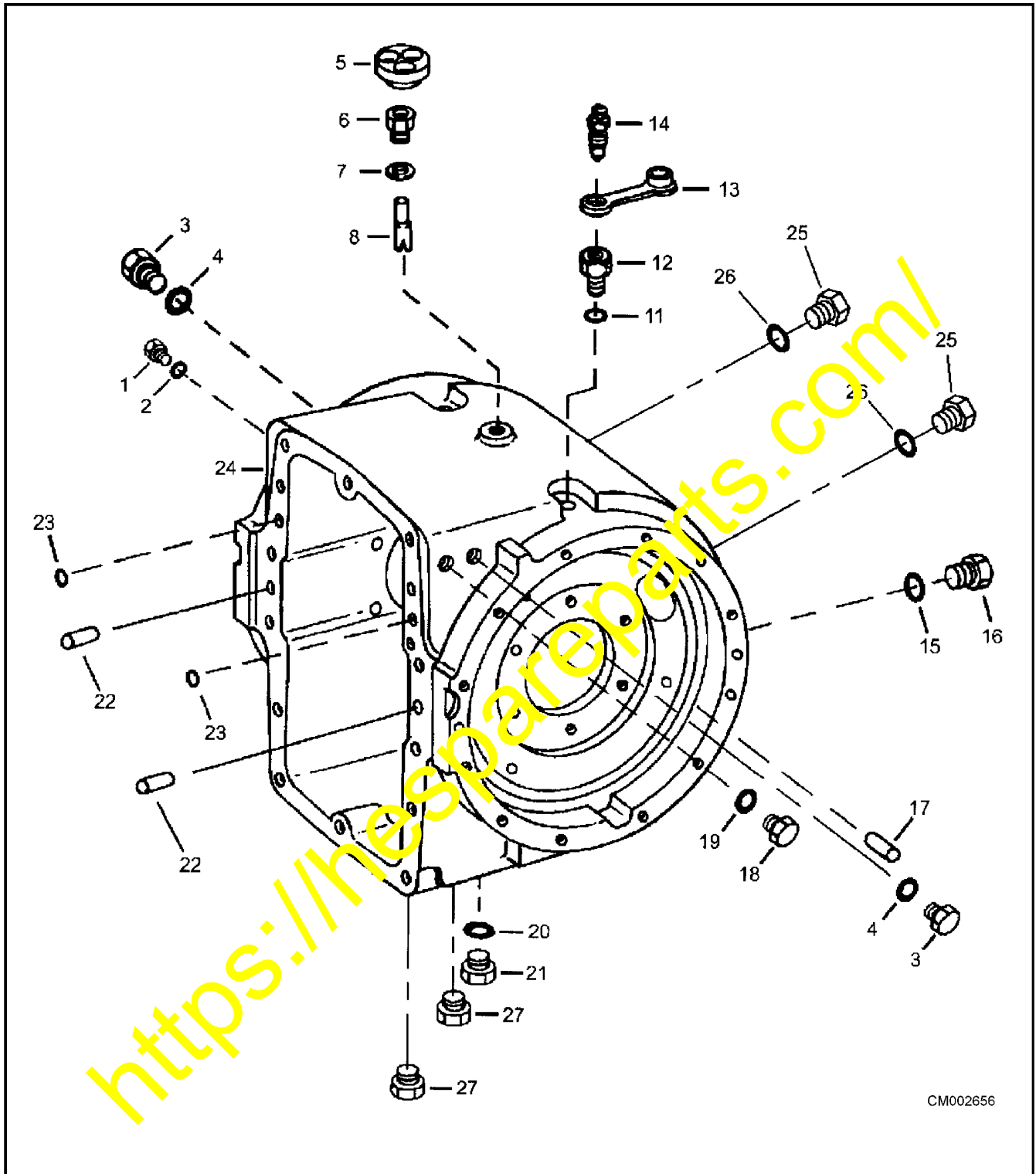
### 1. Introduction

The component parts for various Final Drive housing changes are presented here within. To properly service the respective final drive housing it will be necessary to obtain the rear axle center section S/N. The S/N tag is located on the right rear lower corner of the axle input cover plate. The last six digits are the relevant S/N.

Example: PEAG251208300 The "208300" is the actual S/N.



2. List of Parts:



Item	Part No.	Part Name	Qty	Axle S/N	Remarks
1	9410359	PLUG, O-RING BOSS	1		
2	570828R1	O-RING	1		
3	9410361	PLUG, O-RING BOSS	2		
4	368269R1	O-RING	2		
5	445682R91	BREATHER	1		
6	1439241H1	FITTING	1	077568-UP	
7	1439242H1	O-RING	1	077568-UP	
8	1431076H1	TUBE, BREATHER	1	-77567	Discontinued use 1437671H1
	1437671H1	TUBE, BREATHER	1	077568-UP	
11	364839R1	O-RING	2		
12	1430203H1	BUSHING-BLEEDER	2		
13	1440602H1	PLUG, BLEEDER CAP	2		
14	1430204H1	BLEEDER	2		
15	368269R1	O-RING	2		
16	9410361	PLUG, O-RING BOSS	2		
17	19875R1	PIN, DOWL	4		
18	9410360	PLUG, O-RING BOSS	1		
19	364885R1	O-RING	1		
20	368269R1	O-RING	1		
21	1430249H1	PLUG-SPECIAL	1		
22	19875R1	PIN, DOWEL	1		
23	606271C1	O-RING	2		
24	1430219H1	CASE, DIFFERENTIAL	1	-038287	For service sub 1431834H2, 9410361, 368269R1, (2) 1431832H3, (2) 1435745H91, 30068R1, 1430248H1, (2) 1141265C1, (2) 570828R1, (2) 444689, 1439241H1, 1437671H1, 1439242H1
	1431834H1	CASE, DIFFERENTIAL	1	038288-077567	For service sub 1431834H2, 9410361, 368269R1, (2) 1141265C1, (2) 570828R1, (2) 444689, 1439241H1, 1437671H1, 1439242H1
	No Part Number	CASE, DIFFERENTIAL	1	077568-UP	For service sub 1431834H2, 9410361, 368269R1, (2) 1141265C1, (2) 570828R1, (2) 444689
	1431834H2	CASE, DIFFERENTIAL	1		
25	1141265C1	FITTING	2		
26	570828R1	O-RING	2		
27	444689	PLUG, PIPE	2		