

# PARTS & SERVICE NEWS

REF NO.

AA04048

DATE

March 24, 2004

(C)

Page 1 of 3

**SUBJECT:** SA12V140Z-1 (QST30) PRE-LUBRICATING PRIMER STARTER PLUMBING

**PURPOSE:** To release parts information for engine lubricating primer starter plumbing.

**APPLICATION:** 330M Truck S/N A10190 and UP

**FAILURE CODE:** A000Z9

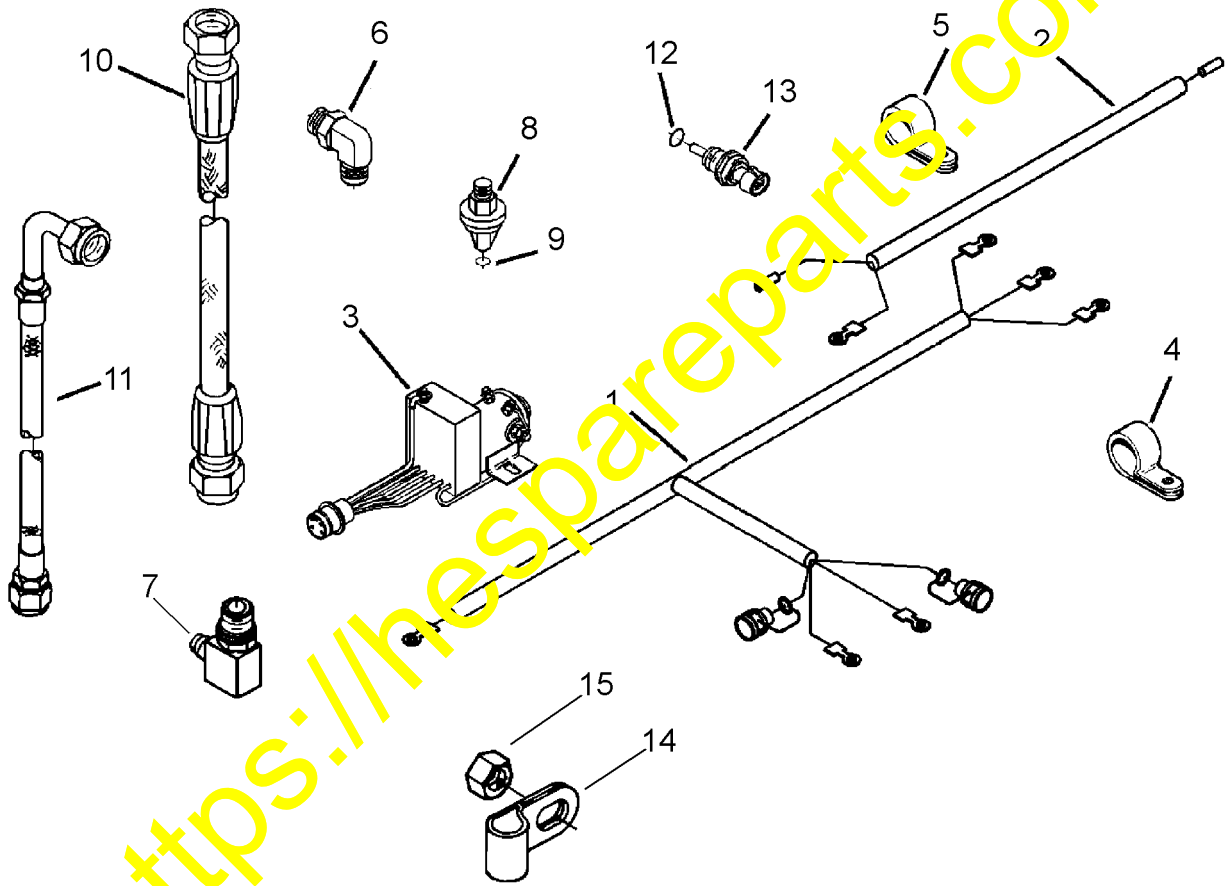
**DESCRIPTION:**

The engine section of the parts book for the 330M truck was published before information on the engine's Pre-lubricating Primer Starter Plumbing was available. This Parts and Service News releases the service parts for that option. Please put this page in the machine's parts book for future reference.

<https://hespartsparts.com/>

# A6110-A7A1

## Pre-Lubricating Starter Plumbing



<https://thespareparts.com/>

## A6110-A7A1

### Pre-Lubricating Starter Plumbing

Item	Part Number	Description	Qty	Ref.
1	6216-84-8530	HARNESS, WIRING . . . . .	1	F1
2		.HARNESS, SECONDARY EXTENSION . . . . .	1	
3	6216-84-9450	.SWITCH, RELAY . . . . .	1	
		PRE-LUBRICATING PLUMBING . . . . .	1	
4	6216-54-6910	.CLAMP, HOSE . . . . .	1	
5	6216-54-6920	.CLAMP, HOSE . . . . .	1	
6	6216-54-6930	.ELBOW, MALE ADAPTER . . . . .	1	
7	6216-54-6940	.VALVE, CHECK . . . . .	1	
	6216-84-9430	SWITCH, PRESSURE . . . . .	1	
8		.SWITCH, PRESSURE . . . . .	1	
9	6735-21-1930	.O-RING . . . . .	1	
10	6216-54-6950	HOSE, FLEXIBLE . . . . .	1	
11	6216-54-6970	HOSE, FLEXIBLE . . . . .	1	
	6216-74-7350	ADAPTER, PLAIN . . . . .	1	
12	6735-21-1930	.O-RING . . . . .	1	
13		.ADAPTER, PLAIN . . . . .	1	
14	6216-74-6210	CLIP . . . . .	2	
15	015800-00806	NUT . . . . .	2	

F1 - CONTAINS SECONDARY EXTENSION WIRE IN PACKAGE WITH 6216-84-8530.