

PARTS & SERVICE NEWS

REF NO. AA04088

DATE June 10, 2004

(C)

Page 1 of 9

SUBJECT: REPAIR PROCEDURE ON WATER PUMP

PURPOSE: To introduce the repair procedure for the water pump

APPLICATION: D375A-5 Crawler Dozer Serial Number 18244, 18247, 18249, 18250
 HD465-7 Dump Truck Serial Number 7245, 7247
 PC1250-7 Hydraulic Excavator Serial Number 20152 through 20155
 SA6D170E-3 Diesel Engine Serial Number 311504 through 311505
 WA600-3 Wheel Loader Serial Number 52113 through 52118, 52121, 52122

FAILURE CODE: A60KPC

DESCRIPTION: For the water pump on the engines on products where there is the production failure. If water leakage occurs. Repair according to this Service News.

MACHINE PREPARATION

1. Park the machine on a flat level surface; lower the work equipment to the ground. Shut off the engine and cycle the controls to remove any residual hydraulic pressure from the work equipment circuits. Turn the parking brake switch on and block any tracks or wheels if necessary.
2. Remove the key from the ignition switch until the repairs are complete. Place a tag on the steering controls advising: "This machine is being repaired. It should not be started or moved for any reason until the tag is removed by the person doing the repairs."



WARNING! Observe all safety and precautionary standards as dictated by the environment and work conditions under which the equipment will be inspected, reworked and repaired. Consult the "Shop Manual" and "Operator's and Maintenance Manual" and your Komatsu district service manager with any/all questions regarding safety.

Remark

These instructions are intended to supplement the service data contained in the appropriate "Shop Manual". Always refer to that manual for Removal, Installation, Disassembly and Reassembly instructions when not contained in this document.

CONFIRMATION TABLE OF SERIAL NUMBERS TO BE IMPLEMENTED

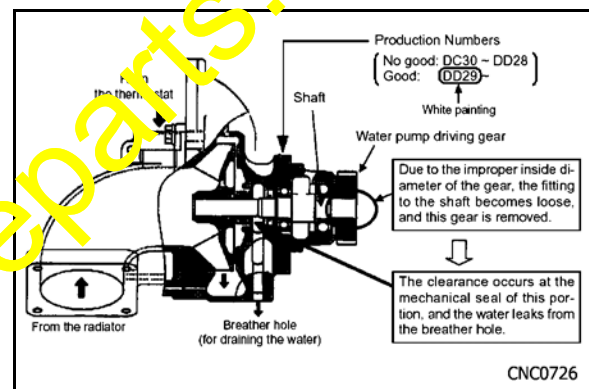
Applicable models	Engine Serial Numbers		Machine Serial Numbers		Locations
	In service	At plant	In service	At plant	
D375A-5	311449	—	18244	—	Indonesia
D375A-5	311475	—	18247	—	U.S.A.
D375A-5	311448	—	18249	—	Miami
D375A-5	311476	—	18250	—	Australia
PC1250-7	311461	—	20152	—	Indonesia
PC1250-7	311460	—	20153	—	Indonesia
PC1250-7	311484	—	20154	—	Indonesia
PC1250-7	311485	—	20155	—	Indonesia
WA600-3	311487	—	52133	—	U.S.A.
WA600-3	311455	—	52114	—	U.S.A.
WA600-3	311456	—	52115	—	U.S.A.
WA600-3	311479	—	52116	—	U.S.A.
WA600-3	311454	—	52117	—	U.S.A.
WA600-3	311453	—	52118	—	U.S.A.
WA600-3	311542	—	52121	—	U.S.A.
WA600-3	311508	—	52122	—	U.S.A.
WA600-3	311457	—	53046	—	Belgium
WA600-3	311458	—	53047	—	Spain
HD467-7	311463	—	7245	—	Belgium
HD465-7	311464	—	7247	—	Spain
Generator	311504	—	—	—	Japan
Generator	311505	—	—	—	Japan

PARTS LIST

No.	Part Number	Description	Qty.	Remark
1	6240-61-1100	WATER PUMP ASSEMBLY	1	See illustrations
2	6240-61-1300	WATERPUMP ASSEMBLY	1	
3	07000-72095	O-RING	1	
4	07000-A3039	O-RING	1	
5	07000-G2075	O-RING	1	
6	07000-G2100	GASKET	1	
7	195-03-41481	GASKET	1	
8	6693-62-9242	GASKET	1	
9	07000-12100	O-RING	1	
10	622-11-6820	GASKET	1	

IMPROVED CONTENTS

Due to the production failure of the water pump assembly, the fitting between the water pump drive gear and the shaft will loosen, the gear may fall off during operation and the water leakage may occur. For this reason, replace the water pump assembly with the specified water pump. (The part No. of the failure water pump assembly and the one of the specified water pump assembly are the same.)



Installation portion of water pump

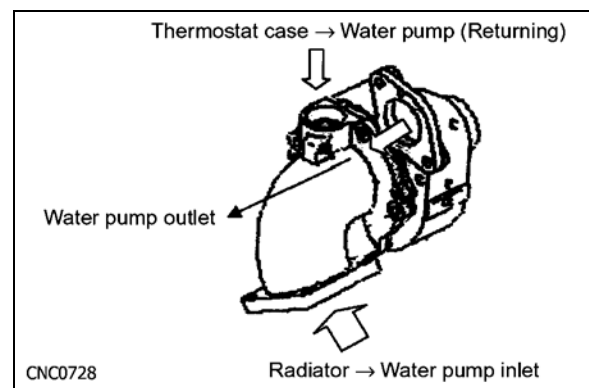
REPAIR PROCEDURE

★ Parts preparation

- Specified water pump
This is delivered from
- Oyama Plant. D575A-5/PC1250-7/WA600-3/
HD465-7
- **6240-61-1100** (One piece)
- Generator
- **6240-61-1300** (One piece)

★ Consumable part

The installation consumable parts around the water pump depend on each specification. Therefore, obtain from the spare parts according to the below table.



★ Spare Parts

Machine	Pump installation portion	Radiator Water pump inlet	Water pump outlet (oil cooler is different)	Thermostat case (water pump return)	Thermostat case
D375A-5	07000-72095	07000-G2100	07000-G2075	07000-A3039	—
PC1250-7	07000-72095	195-03-41481	07000-G2075	07000-A3039	—
WA600-3	07000-72095	6693-62-9242	07000-G2075	07000-A3039	—
HD465-7	07000-72095	07000-12100	07000-G2075	07000-A3039	6222-11-6820
Generator	07000-72095	6693-62-9242	07000-G2075	07000-A3039	—

★ Removal method

- a. Remove the piping around the water pump.
- b. As for the portion of each piping, refer to the extracted parts catalogs, which are attached to this service news.
- c. The removed consumable parts are illustrated. Therefore, remove the piping of this portion around the water pump.

★ Remove the water pump assembly.

- d. In this case, first, loosen water pump bolts (four)
- e. Lift up return pipe from the thermostat case to the water pump and offset the pipe. By doing this, the clearance between the water pump and the pipe can be removed.

★ Installation method

- Carry out the installation in the reverse order to the removal. In addition, as for the parts on the machine body, if it is necessary for the repair, remove and install the parts. (As for D375A-5, because it is better for the repair, remove the splash board cover at the side.)

- Water leakage check after the replacement

Start the engine and check whether the water leakage occurs or not.

- Applicable serial No.

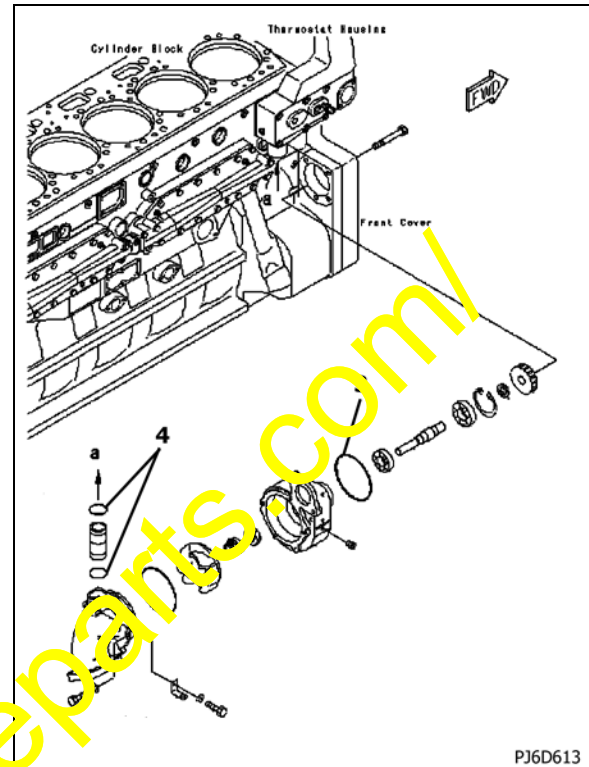
As for the machine serial Number, which are applicable to repair, they are indicated in this letter.

★ Specified Machines

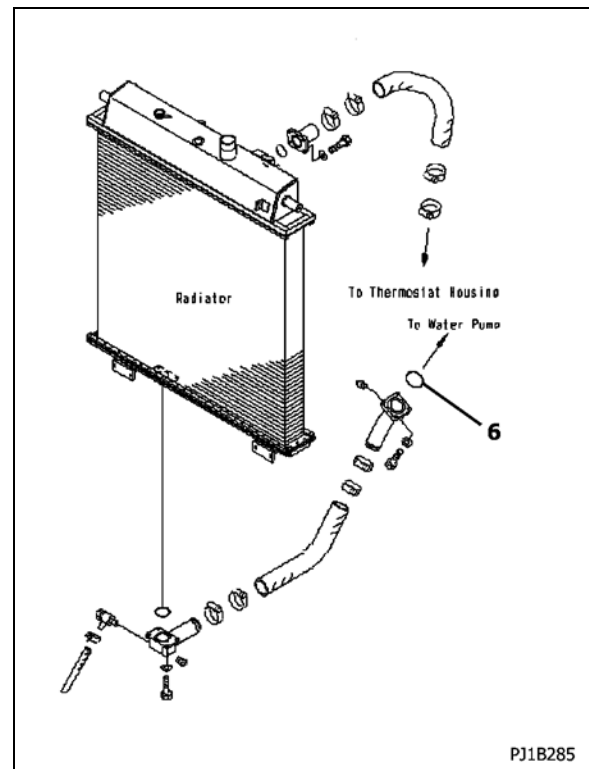
See parts listings on page 3

- D375A-5
- Pump part number: 6240-61-1100
- PC1250-7
- Pump part number: 6240-61-1100
- WA600-3
- Pump part number: 6240-61-1100
- HD465-7
- Pump part number: 6240-61-1100
- Generator
- Pump part number: 6240-61-3100

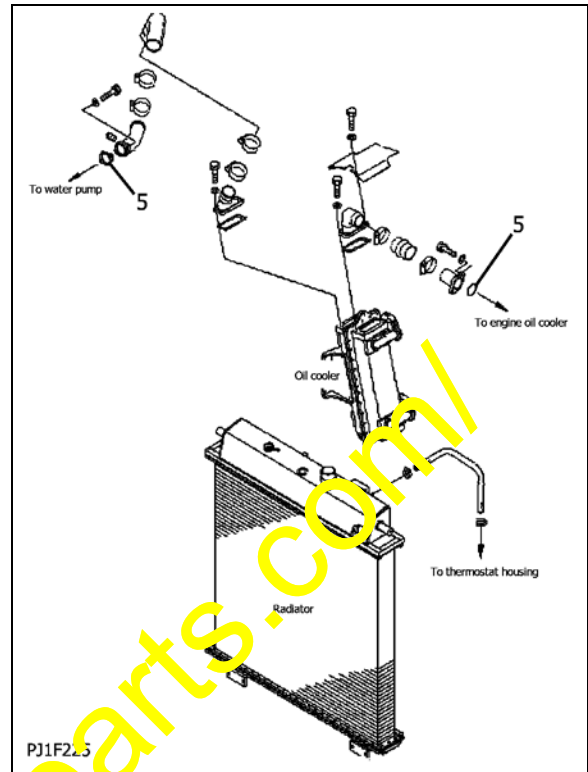
Water Pump (#310007-) shown



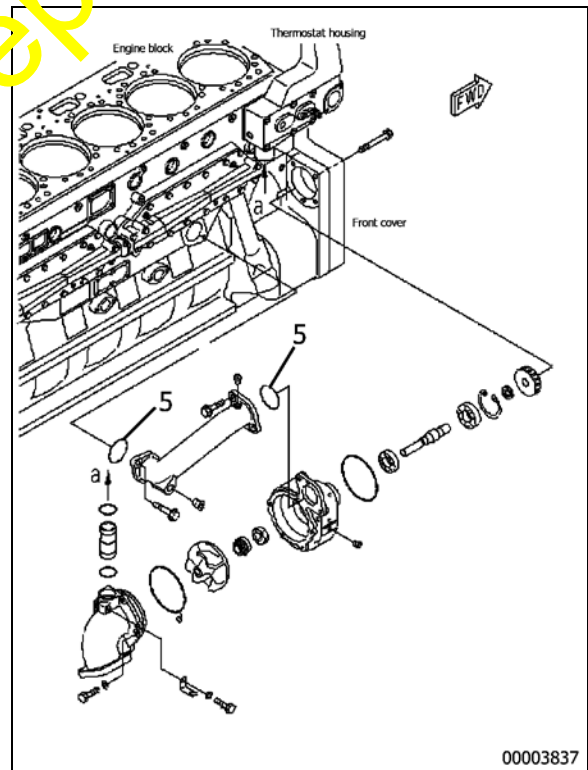
- D375A-5
- Radiator piping



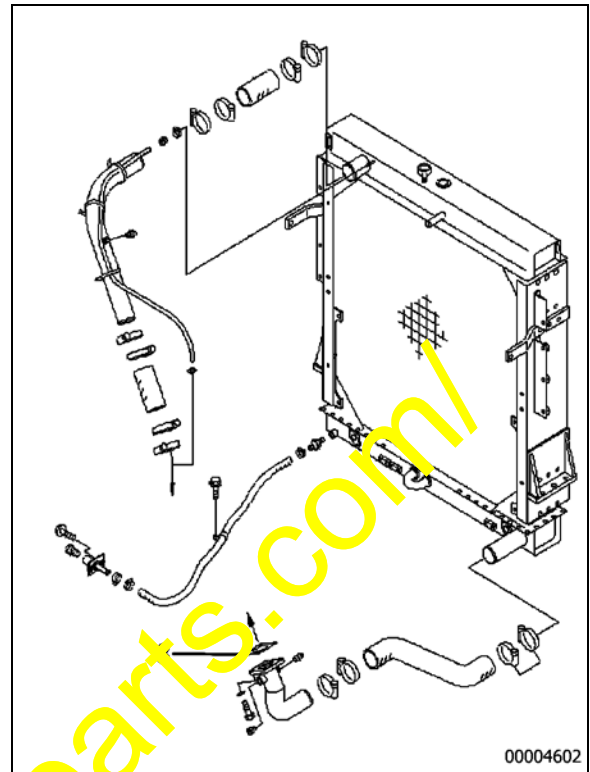
- D375A-5
- Oil cooler piping (with oil pan heater)



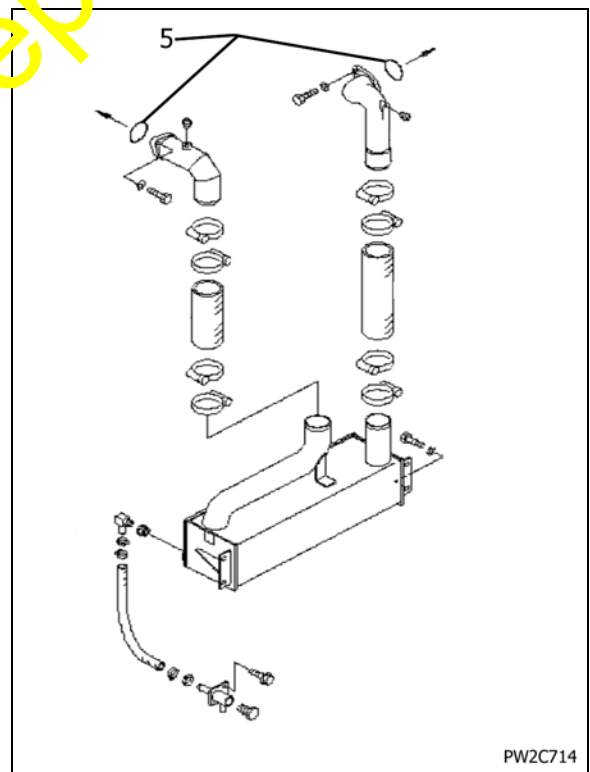
- PC1250-7
- Pump part number (310594-)



- WA600-3
- Radiator drain and engine piping (without air conditioner or heater (#52001-) shown

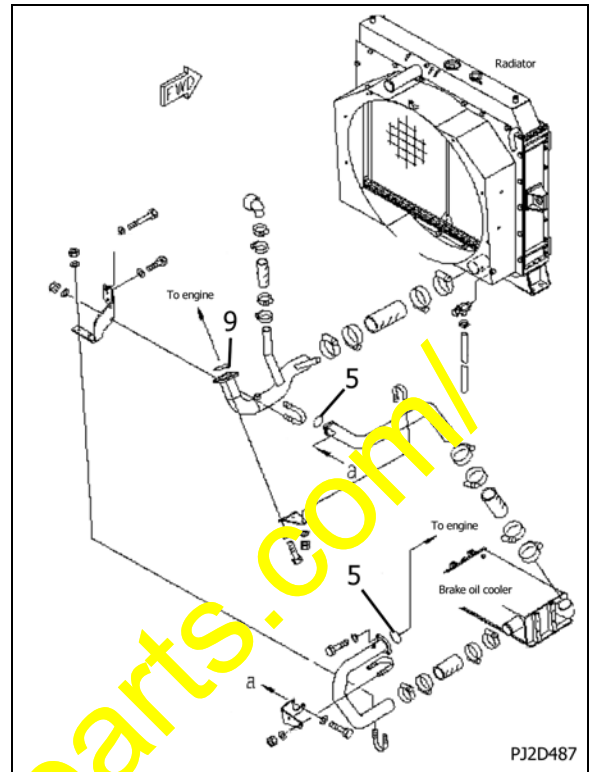


- WA600-3
- Radiator oil cooler and water piping (#52001-) shown

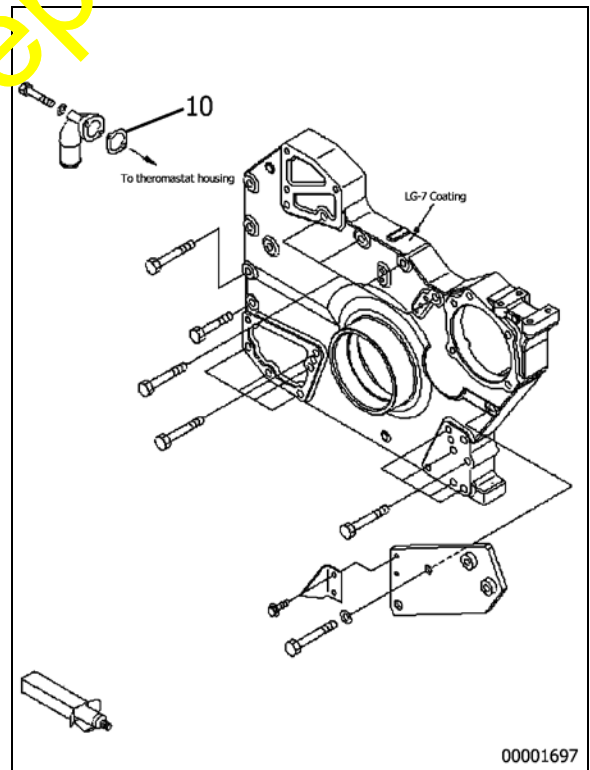


<https://hespareparts.com/>

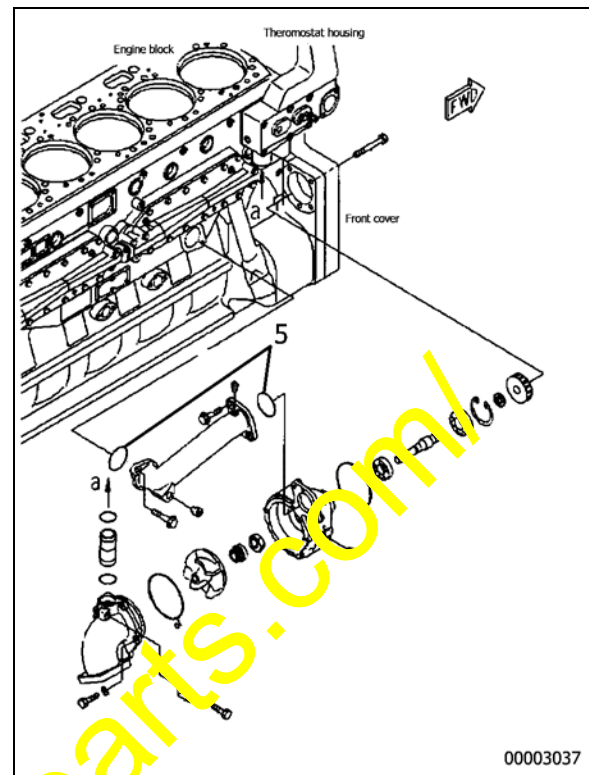
- HD465-7
- Coolant line



- HD465-7
- Front cover mounting (#310522-) shown



- Generator
- Water pump (#310594-) shown



- Generator
- Radiator (#310007-) shown

