

PARTS & SERVICE NEWS

REF NO. AA04140

DATE August 17, 2004

(C)

Page 1 of 1

SUBJECT: PIVOT EYE STRUCTURE MOUNTING

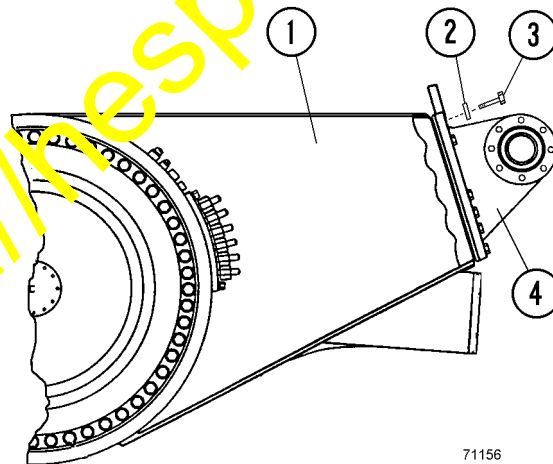
PURPOSE: Inform the field of a hardened washer for use with capscrews at pivot eye structure mounting

APPLICATION: Komatsu Electric Drive Dump Trucks:
730E: 32530-32845, A30079 - A30297;

FAILURE CODE: 2B10MS

DESCRIPTION:

To improve the joint durability between pivot eye structure (4, Figure 1) and the rear axle structure (1), hardened washers (2) should be added to each capscrew (3). Twenty washers (part number WA0366) are required for each truck. Due to limited clearance around the capscrews and the high tightening torque required, these washers can be added the next time the rear axle structure is removed from the truck. Follow the instructions in the appropriate shop manual, Section "G", to remove and install the rear axle assembly and to attach the pivot eye structure to the rear axle structure.



71156

FIGURE 1. PIVOT EYE STRUCTURE MOUNTING

- | | |
|-----------------------------|------------------------|
| 1. Rear Axle Structure | 3. Capscrew |
| 2. Hardened Washer (WA0366) | 4. Pivot Eye Structure |