

PARTS & SERVICE NEWS

REF NO. AA04180

DATE December 6, 2004

Page 1 of 5

SUBJECT: TURBOCHARGER

PURPOSE: To release parts information for correct turbocharger.

APPLICATION: WA600-1LE Wheel Loader Serial Number A51001 and UP
WA600-3L Wheel Loader Serial Number A52001 and UP

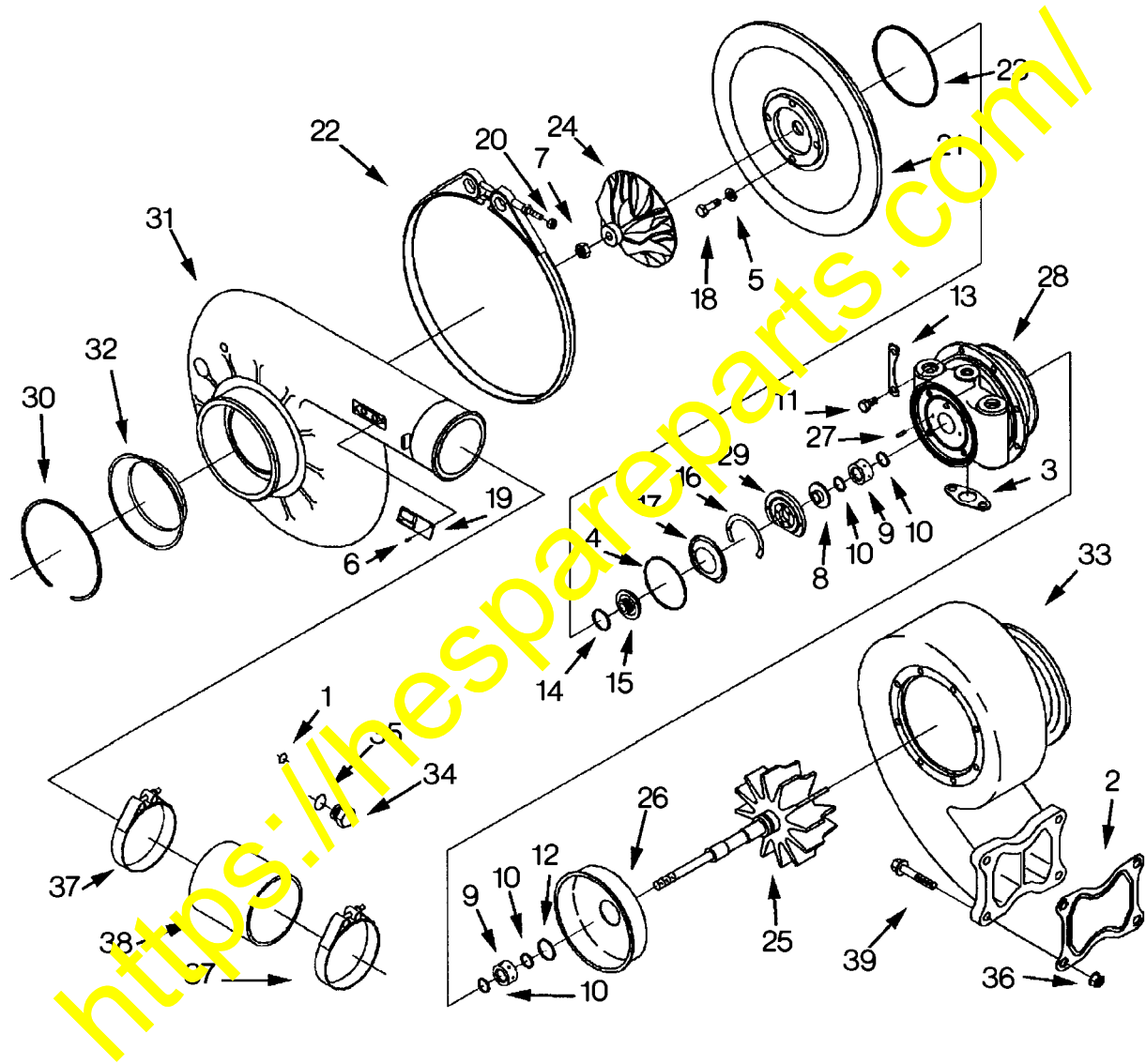
FAILURE CODE: A900Z9

DESCRIPTION:

The turbocharger in the parts book for the above loaders has been changed. This Parts and Service News releases the current turbocharger. Please replace the old turbocharger parts book page with this in the machine's parts book for future reference.

<https://hespareparts.com/>

A1203-A6A1 TURBOCHARGER

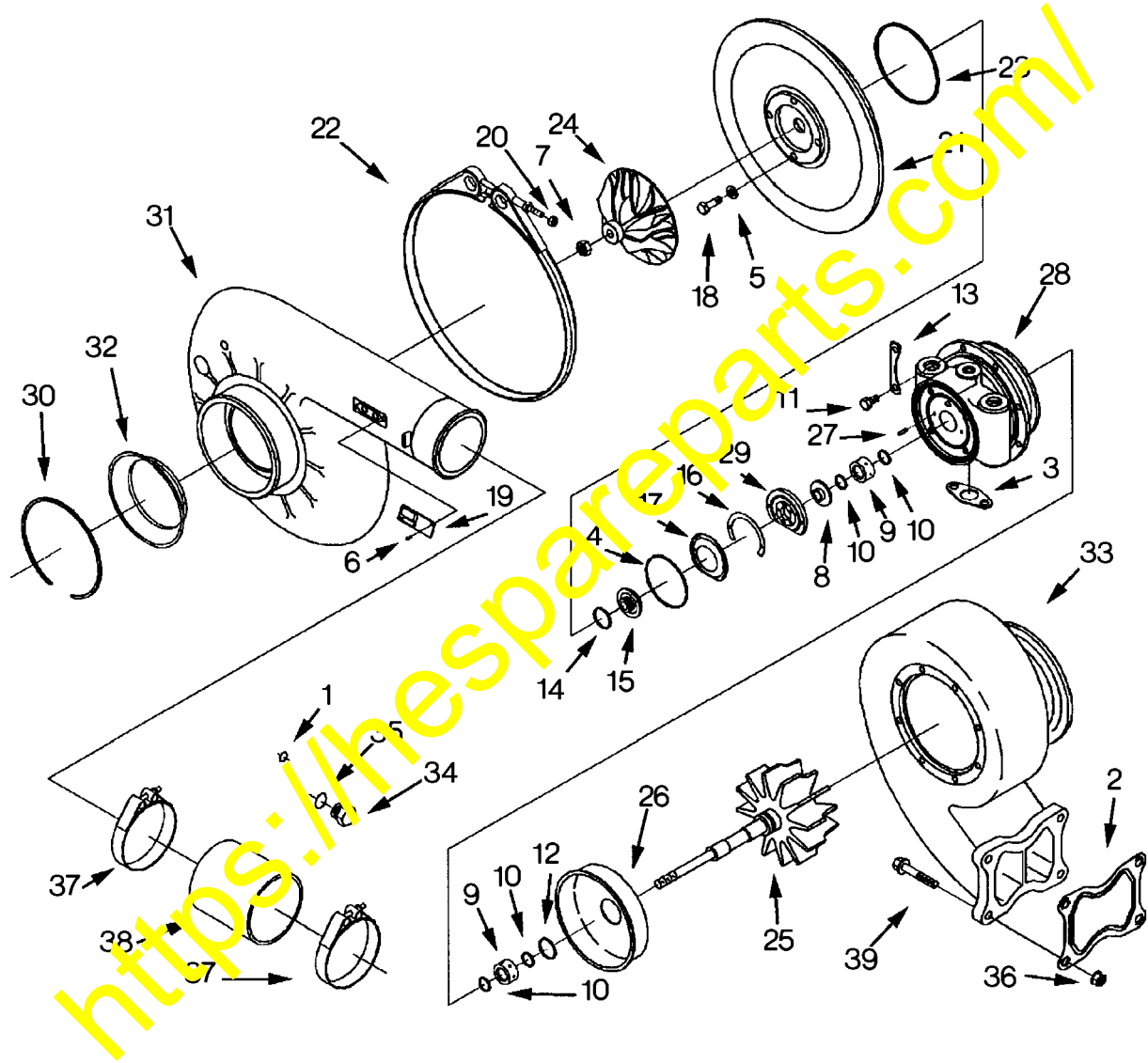


VEPB039C

A1203-A6A1 TURBOCHARGER

Item	Part Number	Description	Qty	Ref.
	6731-81-8280	TURBOCHARGER ASSEMBLY	1	
1	6560-51-7710	..SEAL, O-RING	1	
2	1307 986 H1	..GASKET, TURBOCHARGER	1	
3	6215-51-7230	..GASKET, CONNECTION	1	
	NSS	..TURBOCHARGER	1	
4	6736-81-8230	..SEAL, RECTANGULAR RING	1	
5	6733-81-8650	..WASHER, PLAIN	4	
6	6736-81-8480	..SCREW, DRIVE	2	
7	6216-84-8230	..NUT, LOCK	1	
8	1241 388 H2	..COLLAR, THRUST	1	
9	1241 389 H1	..BEARING, TURBOCHARGER	2	
10	1241 390 H1	..RING, RETAINING	4	
11	1241 393 H1	..BOLT	8	
12	6216-84-8250	..SEAL, SPLIT RING	1	
13	1241 399 H1	..LOCKPLATE	4	
14	1241 401 H1	..SEAL, SPLIT RING	1	
15	1241 404 H1	..SLINGER, OIL	1	
16	1241 405 H1	..SHIM	1	
17	1241 406 H1	..BAFFLE, OIL	1	
18	1241 409 H1	..BOLT	4	
19	NSS	..DATAPLATE	1	
20	6736-81-8510	..NUT	1	
21	1307 987 H1	..DIFFUSER, TURBOCHARGER	1	
22	1307 988 H1	..CLAMP, V-BAND	1	
23	1307 990 H1	..SEAL, RECTANGULAR RING	1	
24	1307 992 H2	..IMPELLER, COMPRESSOR	1	
25	1241 392 H1	..SHAFT & WHEEL	1	
26	1310 158 H1	..SHIELD, TURBOCHARGER HEAT	1	
27	6733-81-8480	..PIN, ROLL	2	
28	NSS	..HOUSING, BEARING	1	
29	1310 162 H1	..BEARING, THRUST	1	
	1310 992 H91	..BAFFLE ASSEMBLY, TURBOCHARGER	1	
30	1310 163 H1	...RING, RETAINING	1	
31	NSS	...HOUSING, COMPRESSOR	1	
32	1310 165 H1	...BAFFLE, TURBOCHARGER NOISE	1	

A1203-A6A1 TURBOCHARGER



VEPB039C

A1203-A6A1
TURBOCHARGER

Item	Part Number	Description	Qty	Ref.
33	1310 159 H1	..HOUSING, TURBINE	1	
	6735-21-4150	PLUG, THREADED	2	
34	NSS	.PLUG, THREADED	1	
35	6735-21-4160	.SEAL, O-RING	1	
36	1267 649 H1	NUT	4	
37	1307 984 H1	CLAMP, T-BOLT	2	
38	1307 985 H1	HOSE, PLAIN	1	
39	1310 155 H2	BOLT	1	

<https://hespareparts.com/>