

PARTS & SERVICE NEWS

REF NO.	AA04181
DATE	December 8, 2004

SUBJECT: EXHAUST BRAKE PARTS BREAKDOWN

PURPOSE: To supply missing parts book information for exhaust brake arrangement EH1221.

APPLICATION: Komatsu Mechanical Drive Dump Trucks:
HD785-5LC: A10224 & A10256

FAILURE CODE: A1Z0Z9

DESCRIPTION: Exhaust Brake Installation (EH1221)

The correct exhaust brake arrangement was omitted from the parts books for the specified trucks. This bulletin provides the missing parts breakdown information for these trucks. The following pages should be substituted into the books for use when servicing exhaust brake components.

<https://hespareparts.com/>

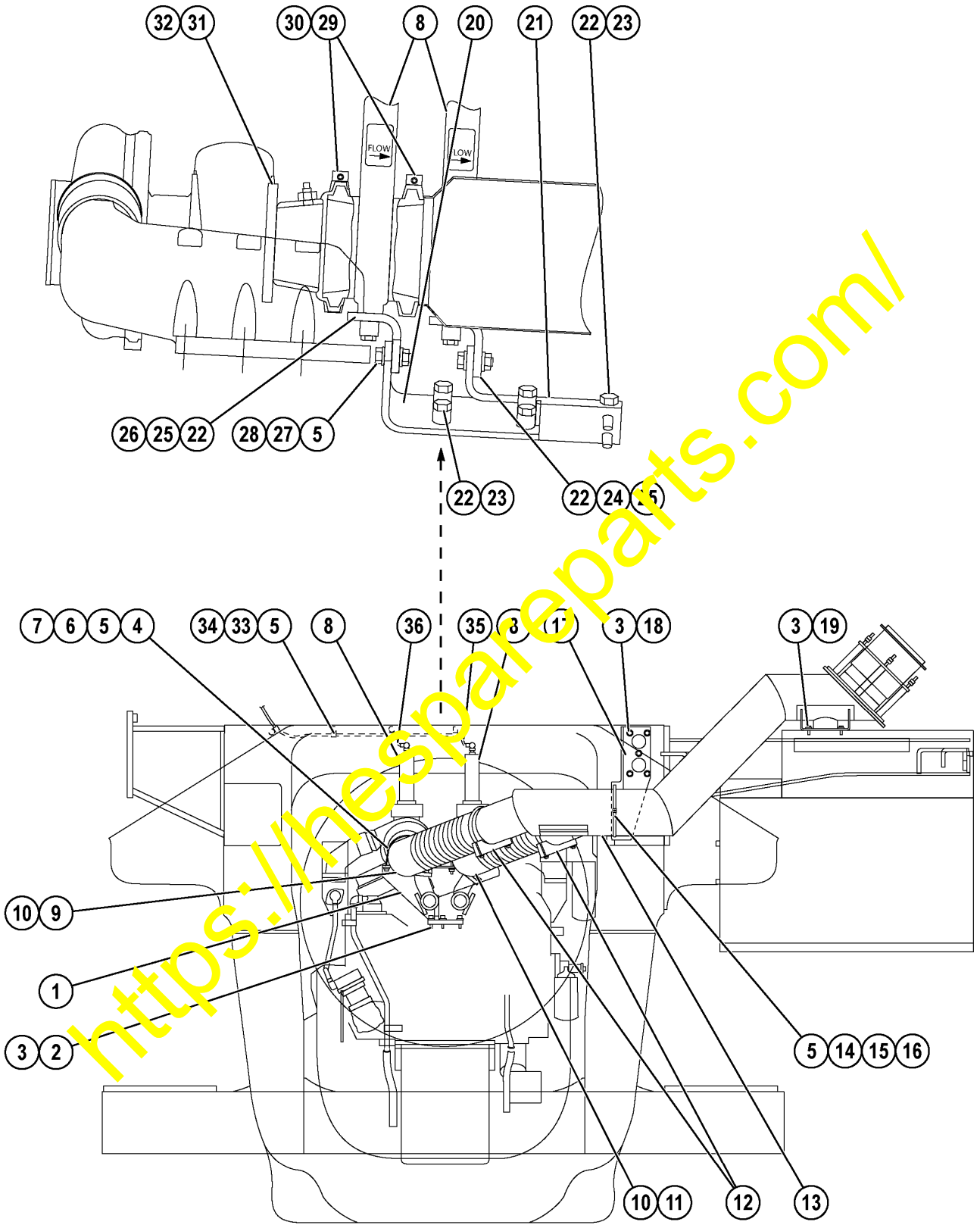


FIG. 16313
EXHAUST BRAKE INSTALLATION

FIGURE 16313 EXHAUST BRAKE INSTALLATION EH1221

REF. NO.	PART NO.	QTY.	DESCRIPTION
1	561-02-73140	1	BRACKET
2	01010-81240	4	CAPSCREW
3	01643-31232	13	WASHER
4	561-02-A1670	2	U-BOLT
5	01643-31032	23	WASHER
6	C1547	4	WASHER
7	C1521	8	NUT
8	6162-13-8301	2	BRAKE, EXHAUST
9	561-02-73110	1	TUBE
10	07042-20108	2	PLUG
11	561-02-73120	1	TUBE
12	VA2600	2	CLAMP ASSEMBLY
	VA2595	2	• CLAMP, HALF
	VA2598	2	• U-BOLT
	C0312	4	• LOCKWASHER
	C1521	4	• NUT
13	561-02-73210	1	TUBE
14	561-02-A1540	1	U-BOLT
15	C1540	2	LOCKWASHER
16	C1523	2	NUT
17	561-02-A1550	1	BRACKET
18	01010-81225	5	CAPSCREW
19	01010-81230	4	CAPSCREW
20	561-02-73160	1	BRACKET, L.H.
21	561-02-73170	1	BRACKET, R.H.
22	6631-11-5630	12	SPACER
23	01010-61040	8	CAPSCREW
24	6215-91-1140	1	BRACKET, R.H.
25	02010-7064	4	CAPSCREW
26	561-02-73150	1	BRACKET, L.H.
27	01010-61035	4	CAPSCREW
28	01530-0008	4	NUT
29	6215-91-1170	4	BAND, V
30	6215-91-1180	4	GASKET
31	CU3011876	2	GASKET, EXHAUST BRAKE
32	CU30946640	2	CONNECTOR, EXHAUST BRAKE
33	01010-81016	4	CAPSCREW
34	08036-01014	4	CLIP
35	07822-00619	1	TUBE (FROM R.H. EXHAUST BRAKE TO JUNCTION PLATE)
36	07822-00616	1	TUBE (FROM L.H. EXHAUST BRAKE TO JUNCTION PLATE)

(EH1221 EXHAUST BRAKE INSTALLATION IS NOT SOLD AS AN ASSEMBLY. ORDER INDIVIDUAL COMPONENT PARTS.)

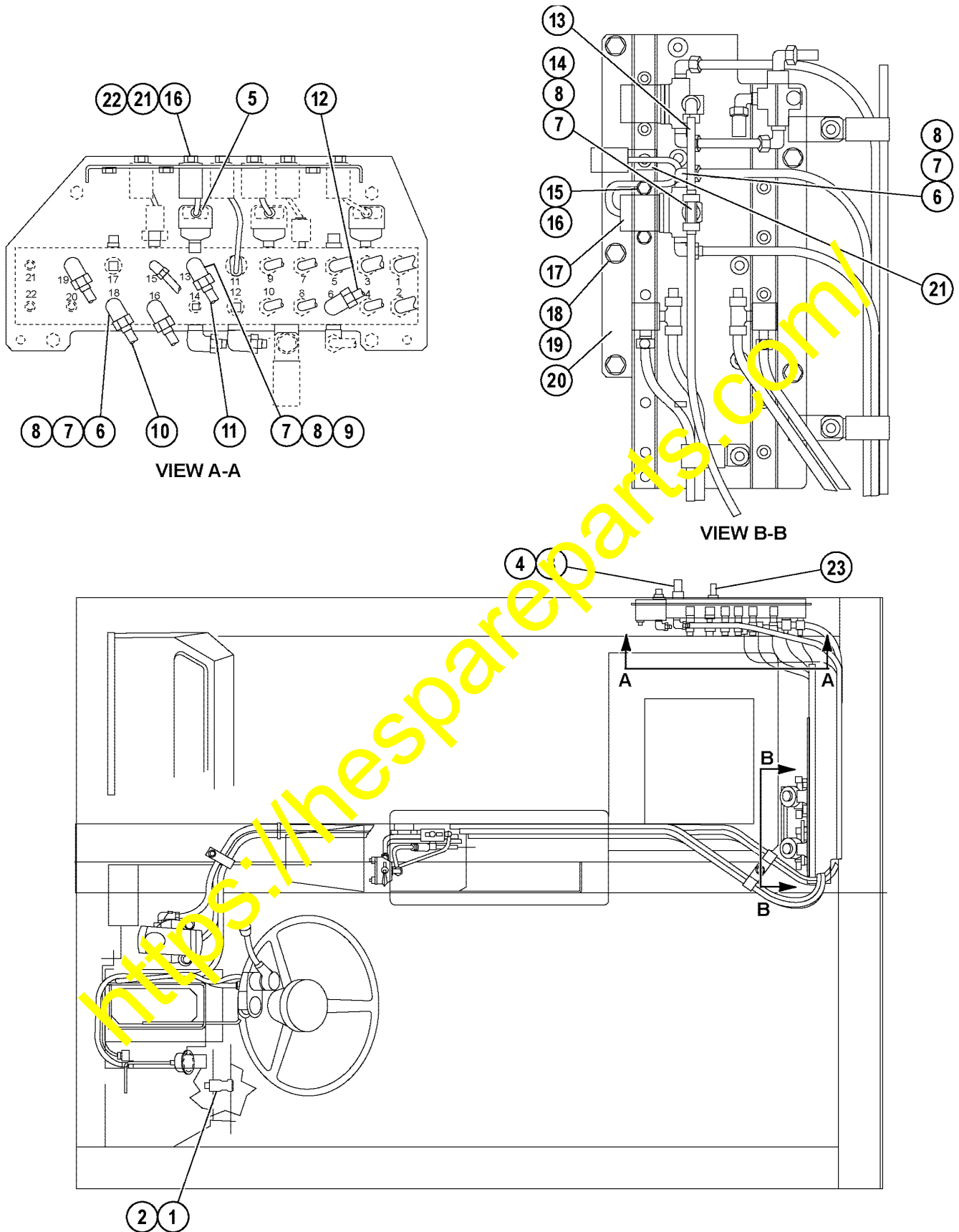


FIG. 16314
EXHAUST BRAKE INSTALLATION

FIGURE 16314

EXHAUST BRAKE INSTALLATION -1

EH1221

REF. NO.	PART NO.	QTY.	DESCRIPTION
1	569-06-63110	1	SWITCH, EXHAUST BRAKE
2	561-95-62330	1	BRACKET
3	07812-00246	1	MUFFLER
4	07326-10302	1	ADAPTOR
5	561-06-61221	1	SWITCH, LAMP
6	07834-00613	3	ELBOW
7	07831-00612	6	SLEEVE
8	07832-00614	6	NUT
9	07834-00617	1	ELBOW
10	07822-00617	1	TUBE (TO SOLENOID VALVE EXHAUST PORT)
11	07822-00613	1	TUBE (TO SOLENOID VALVE OUT PORT)
12	07822-00608	1	TUBE (TO SOLENOID VALVE IN PORT)
13	07822-00601	1	TUBE (SOLENOID VALVE TO SOLENOID VALVE)
14	07835-00613	1	TEE
15	01010-80816	2	CAPSCREW
16	01643-30823	3	WASHER
17	561-35-61812	1	VALVE, SOLENOID
18	01010-81016	5	CAPSCREW
19	01643-31032	5	WASHER
20	569-54-63331	1	BRACKET
21	7821-92-5110	2	BRACKET
22	01010-80812	1	CAPSCREW
23	285-235-12560		TEE

(EH1221 EXHAUST BRAKE INSTALLATION IS NOT SOLD AS AN ASSEMBLY. ORDER INDIVIDUAL COMPONENT PARTS.)