

PARTS & SERVICE NEWS

REF NO. AA04190

DATE January 3, 2005

Page 1 of 3

SUBJECT: BLEED-DOWN MANIFOLD PARTS BREAKDOWN

PURPOSE: To clarify parts breakdown information for the bleed-down manifold.

APPLICATION: Komatsu Mechanical Drive Dump Trucks:
530M: A30001-A30038, 32628;
HD1500-5: A30039 & Up

FAILURE CODE: 4A00Z9

DESCRIPTION:

Parts books for the specified trucks contain errors pertaining to bleed-down manifold seals and seal kits. The correct contents of the seal kits are listed below. The corrected parts book breakdown is listed on the following pages.

| SEAL KIT (RK0255) | | |
|-------------------|----------------|----------|
| Part Number | Description | Quantity |
| VJ7368 | Washer, Backup | 1 |
| VE1486 | O-Ring | 1 |
| VE2452 | O-Ring | 1 |

| SEAL KIT (RK0256) | | |
|-------------------|----------------|----------|
| Part Number | Description | Quantity |
| VE2455 | O-Ring | 1 |
| WA0072 | O-Ring | 1 |
| VE2455 | Washer, Backup | 1 |
| VE2448 | Washer, Backup | 2 |
| VE1242 | O-Ring | 1 |

| SEAL KIT (1433278H91) | | |
|-----------------------|----------------|----------|
| Part Number | Description | Quantity |
| VE2460 | O-Ring | 1 |
| WA0076 | O-Ring | 1 |
| VE2459 | Washer, Backup | 1 |

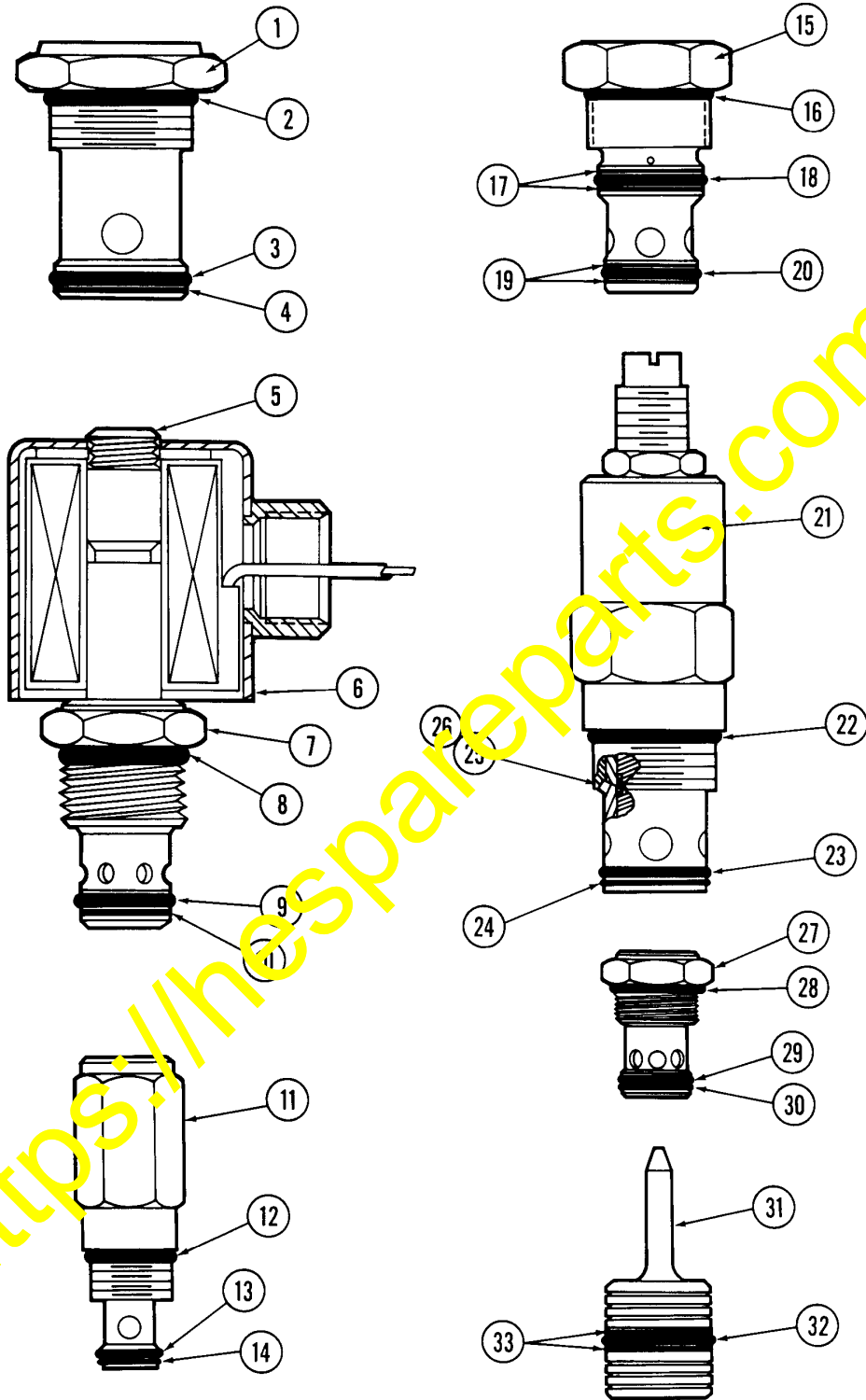


FIG. 30100
BLEEDDOWN MANIFOLD VALVE ASSEMBLY

FIGURE 30100

BLEED-DOWN MANIFOLD VALVE ASSM - 1

EG6159

| REF. NO. | PART NO. | QTY. | DESCRIPTION |
|----------|------------|------|--|
| 1 | PB5916 | | CHECK VALVE ASSEMBLY |
| 2 | VE2460 | | O-RING (1) |
| 3 | WA0076 | | O-RING (1) |
| 4 | VE2459 | | WASHER, BACKUP (1) |
| 5 | PB5562 | | SOLENOID VALVE ASSEMBLY |
| 6 | VE1244 | | COIL, SOLENOID |
| 7 | VE2197 | | VALVE ASSEMBLY |
| 8 | VE2452 | | O-RING (2) |
| 9 | VE1486 | | O-RING (2) |
| 10 | VJ7368 | | RING, BACKUP (2) |
| 11 | PB5915 | | RELIEF VALVE ASSEMBLY |
| 12 | VE2452 | | O-RING (2) |
| 13 | VE1486 | | O-RING (2) |
| 14 | VJ7368 | | WASHER, BACKUP (2) |
| 15 | PB6148 | | SENSING VALVE ASSEMBLY |
| 16 | VE2457 | | O-RING (3) |
| 17 | VE2455 | | WASHER, BACKUP (3) |
| 18 | WA0072 | | O-RING (3) |
| 19 | VE2458 | | WASHER, BACKUP |
| 20 | WA0070 | | O-RING |
| 21 | PB5561 | | RELIEF VALVE ASSEMBLY |
| 22 | VE2457 | | O-RING (3) |
| 23 | WA0072 | | O-RING (3) |
| 24 | VE2455 | | WASHER, BACKUP (3) |
| 25 | VE2448 | | WASHER, BACKUP (3) |
| 26 | VE1242 | | O-RING (3) |
| 27 | PB6492 | | CHECK VALVE ASSEMBLY |
| 28 | VE2457 | | O-RING (3) |
| 29 | WA0072 | | O-RING (3) |
| 30 | VE2455 | | WASHER, BACKUP (3) |
| 31 | FB6433 | | PISTON ASSEMBLY |
| 32 | WA0072 | | O-RING (3) |
| 33 | VE2455 | | WASHER, BACKUP (3) |
| KT | 1433278H91 | | NOTE: (1) INCLUDED IN 1433278H91 SEAL KIT. |
| KT | RK0259 | | (2) INCLUDED IN RK0259 SEAL KIT. |
| KT | RK0256 | | (3) INCLUDED IN RK0256 SEAL KIT. |