

PARTS & SERVICE NEWS

REF NO.	AA96003A
DATE	NOV 1, 1996

Page 1 of 33

This PARTS & SERVICE NEWS supersedes the previous issue No. AA96003 dated July 22, 1996
Thus the previous issue should be discarded.

SUBJECT: RELEASE SERVICE PARTS FOR EAGLE AIR CONDITIONER & HEATING SYSTEMS

PURPOSE: To provide a service parts list for the Eagle A/C and heater system on below listed Wheel Loaders

APPLICATION: WA250-1LC Wheel Loaders With Serial Numbers A65036 and up.
WA320-1LC Wheel Loaders With Serial Numbers A25389 and up.

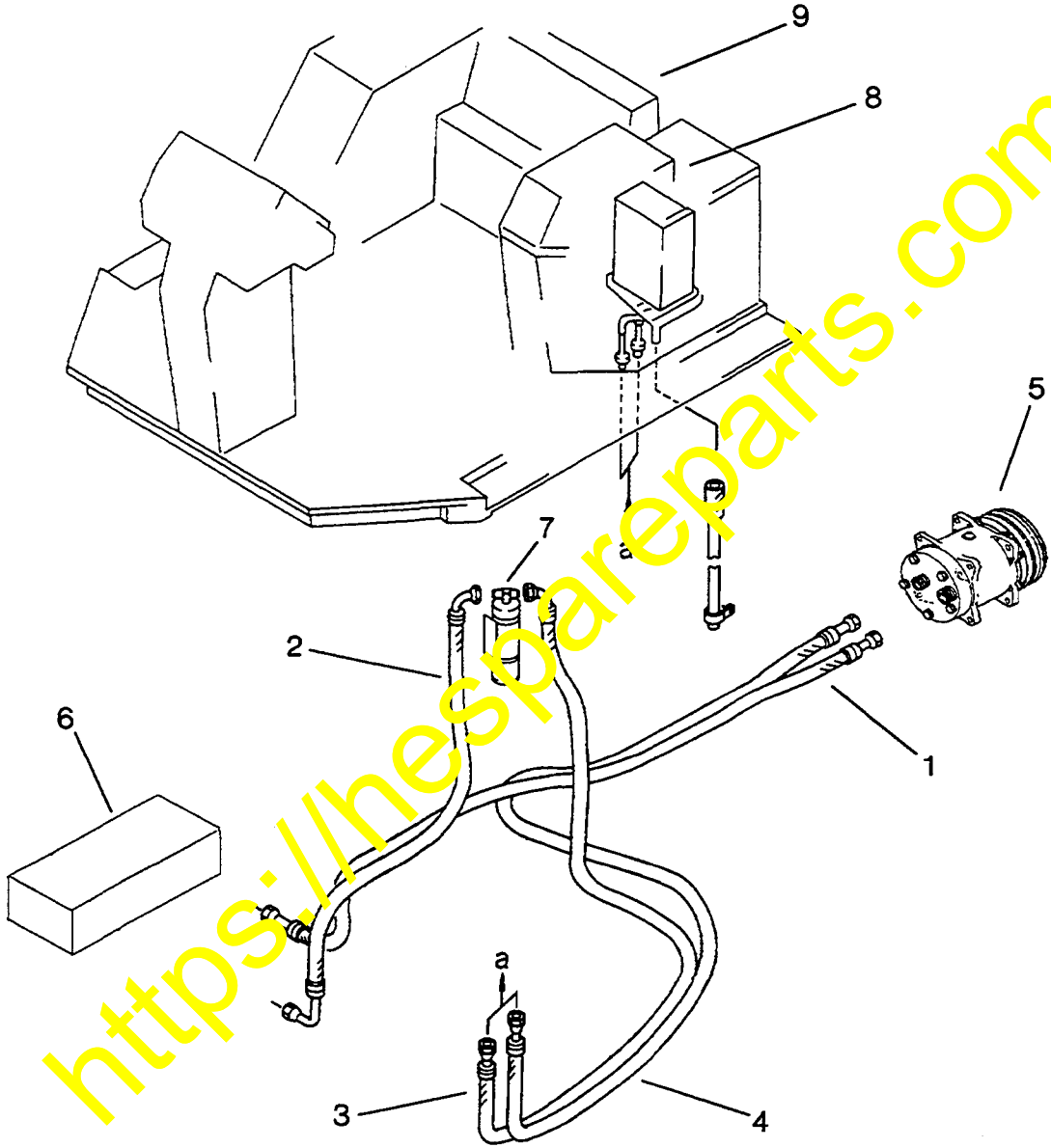
DESCRIPTION: The service parts for the Eagle A/C and heater kit are released for service.

Model WA250-1LC reference P/N 413-963-A200 (sales code #W181072)

Model WA320-1LC reference P/N 419-963-A200 (sales code #W191084)

For these service part numbers refer to the subsequent pages of this PARTS AND SERVICE NEWS.

AIR CONDITIONER PIPING
(CONDENSER AND COMPRESSOR LINES)

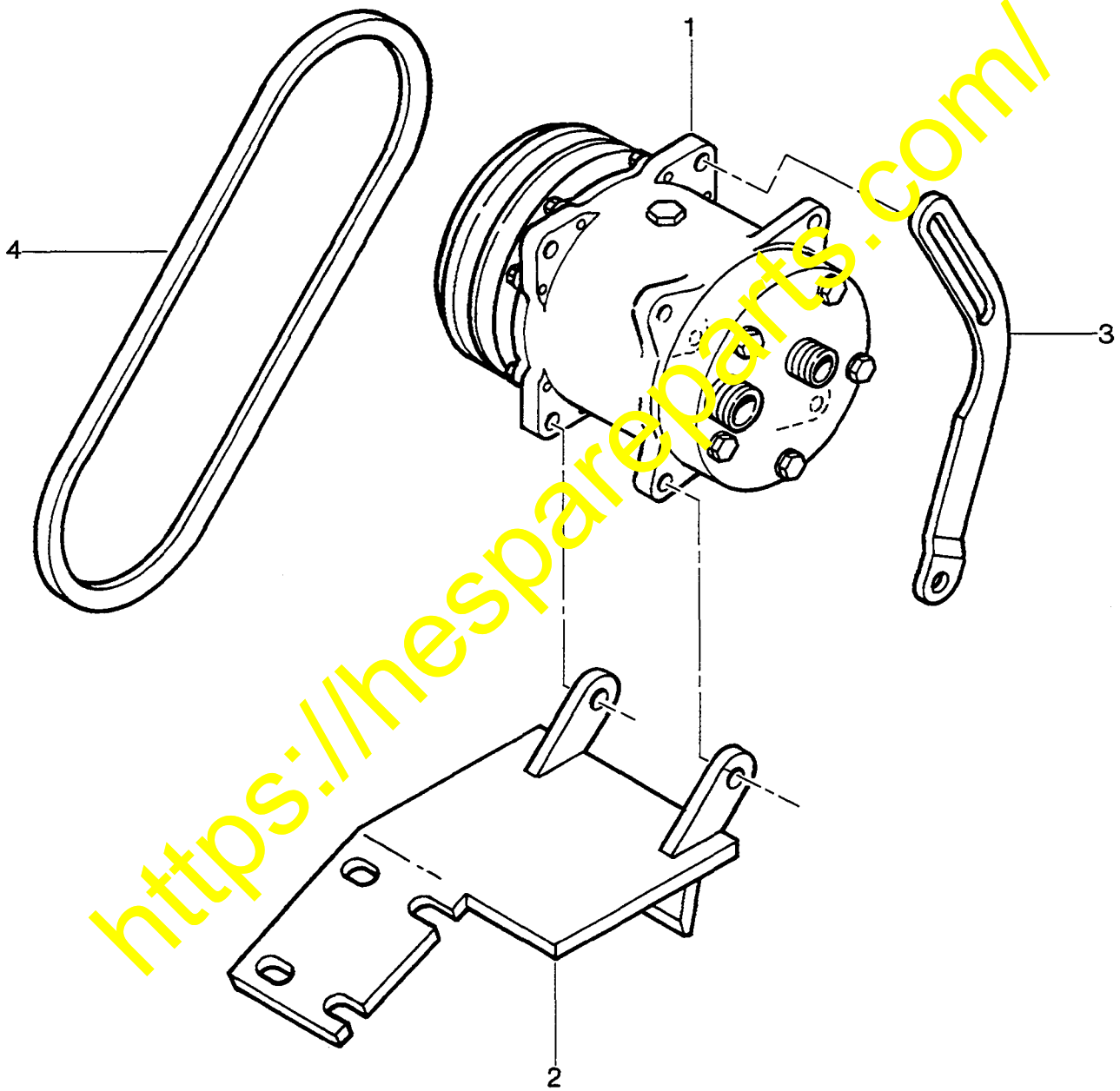


L13ED034

AIR CONDITIONER PIPING
(CONDENSER AND COMPRESSOR LINES)

Item	Part Number	Description	Qty.	Ref.
N/I	418-963-A010	HOSE KIT	1	
1	418-963-A030	.HOSE-COMPRESSOR TO CONDENSER	1	
2	418-963-A040	.HOSE-CONDENSER TO DRYER	1	
3	418-963-A050	.HOSE-DRYER TO EVAPORATOR	1	
4	418-963-A060	.HOSE-EVAPORATOR TO COMPRESSOR	1	
5		COMPRESSOR A/C (FOR WA250-1LC SEE PG 5) (FOR WA320-1LC SEE PG 7)	1	
6		KIT, CONDENSER (SEE PG 23)	1	
7	418-963-A070	DRYER ASSY	1	
	418-963-A080	.DRYER	1	
	425-963-A210	.BRACKET REC/DRYER	1	
	417-963-270	..BOLT M5 X 0.8 X 20 HEX	4	
8		HEATER & AIR CONDITIONER ASSY (SEE PG 9)	1	
9		FILTER BOX ASSEMBLY (SEE PG 27)	1	
		HEATER PIPING (FOR WA250-1LC SEE PG 29) (FOR WA320-1LC SEE PG 31)	1	

AIR CONDITIONER COMPRESSOR AND MOUNTING (EAGLE)
(WA250-1LC)

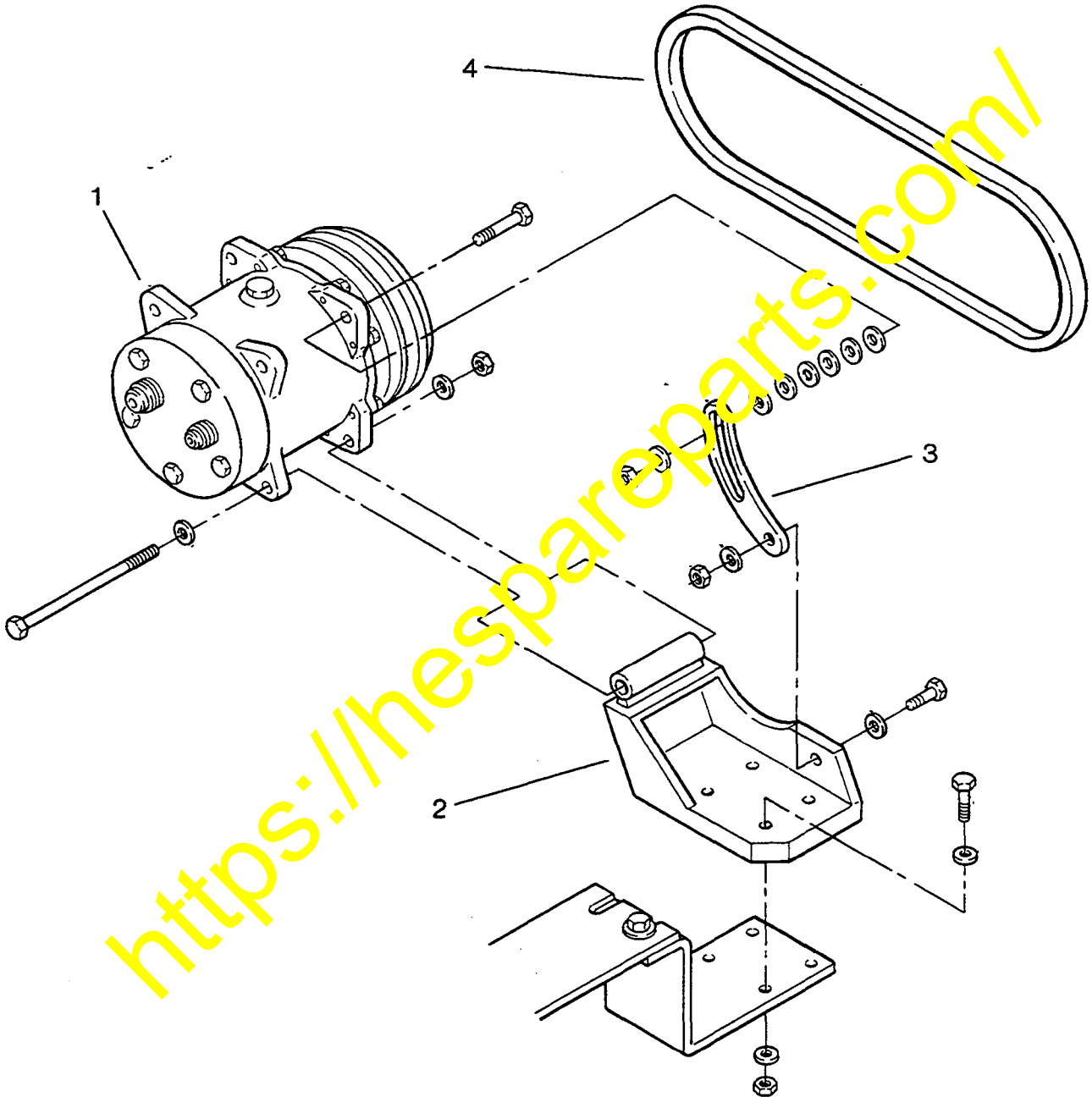


L13EH022

AIR CONDITIONER COMPRESSOR AND MOUNTING (EAGLE)
(WA250-1LC)

Item	Part Number	Description	Qty.	Ref.
	417-963-A250	COMPRESSOR KIT	1	
1		.COMPRESSOR (SEE PG 33)	1	
	417-963-A140	.KIT, COMPRESSOR MOUNTING	1	
2	417-963-A170	..BRACKET, MOUNTING	1	
3	417-963-A190	..BRACKET, BELT TENSIONER	1	
	417-963-A180	..KIT, HARDWARE	1	
	NSS	...BOLT, M10 X 1.5 X 25	1	
	NSS	...BOLT, M10 X 1.5 X 35	6	
	NSS	...NUT, M10 X 1.5	2	
	NSS	...WASHER, 10MM - LOCK	8	
	NSS	...BOLT, 5/16NC X 1 1/2	1	
	NSS	...WASHER, 5/16 - FLAT	2	
	NSS	...WASHER, 5/16 - LOCK	1	
	NSS	...NUT, 5/16NC	1	
	NSS	...SLEEVE	1	
	NSS	...BOLT, M10 X 1.5 X 50	2	
	NSS	...SPACER	1	
4	417-963-A370	BELT, COMPRESSOR DRIVE	1	

AIR CONDITIONER COMPRESSOR AND MOUNTING (EAGLE)
(WA320-1LC)

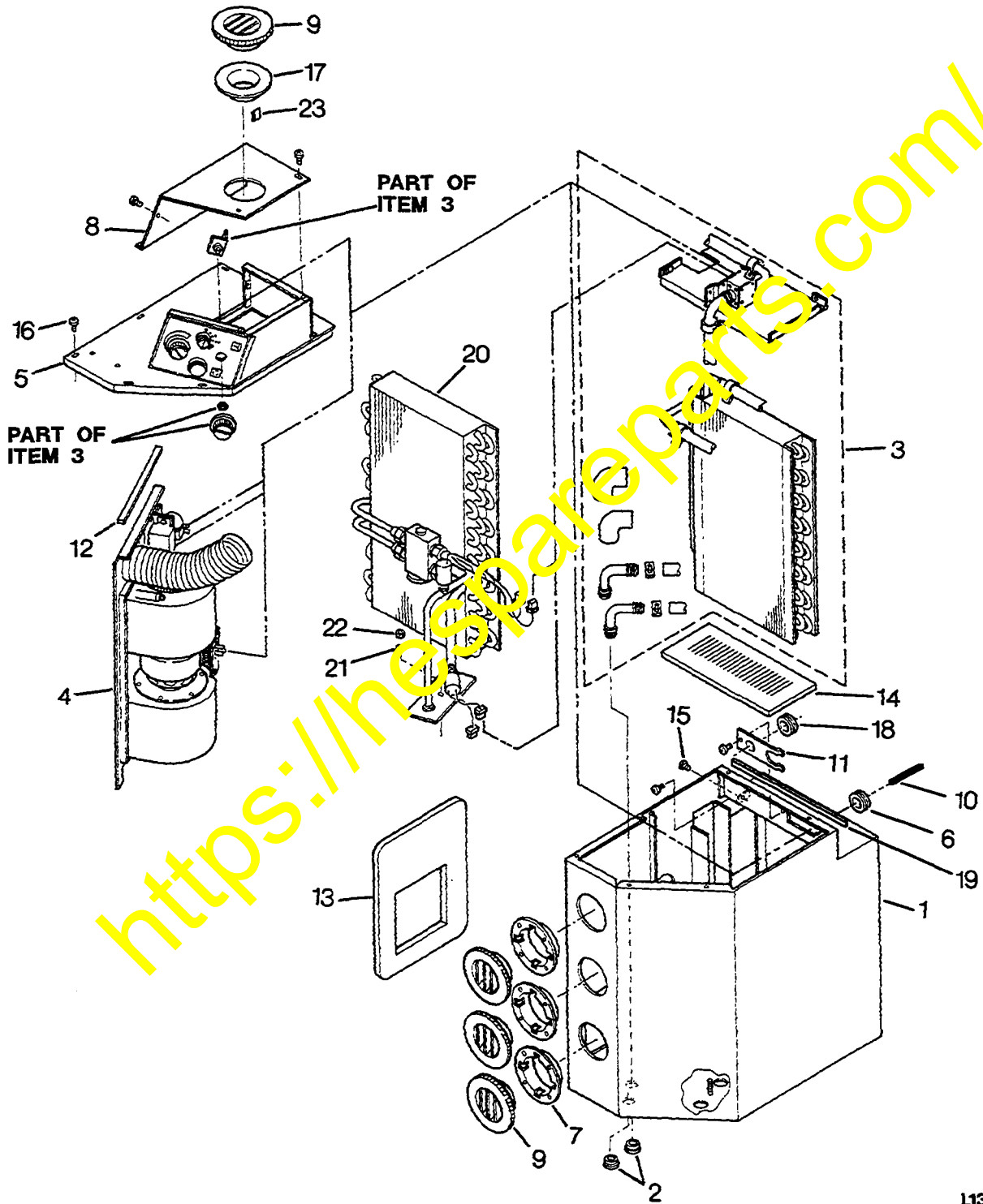


L13EH030

AIR CONDITIONER COMPRESSOR AND MOUNTING (EAGLE)
(WA320-1LC)

Item	Part Number	Description	Qty.	Ref.
	419-963-A010	KIT, AIR CONDITIONER COMPRESSOR	1	
1		.COMPRESSOR ASSEMBLY (SEE PG 33)	1	
	419-963-A020	.KIT, COMPRESSOR MOUNTING	1	
2	423-963-A270	..BRACKET, MOUNTING	1	
3	423-963-A280	..ARM, BELT TENSIONER	1	
4	423-963-A110	..V-BELT, A/C COMPRESSOR DRIVE	1	
	419-963-A030	..KIT, HARDWARE	1	
	NSS	...BOLT	4	
	NSS	...WASHER	4	
	NSS	...BOLT	1	
	NSS	...WASHER	2	
	NSS	...NUT, NYLON LOCK	1	
	NSS	...SHIM, .015 IN	2	
	NSS	...SHIM, .010 IN	1	
	NSS	...SHIM, .005 IN	2	
	NSS	...BOLT	1	
	NSS	...WASHER	2	
	NSS	...NUT	1	
	NSS	...BOLT	1	
	NSS	...WASHER	2	
	NSS	...NUT	1	
	NSS	...BUSHING	1	
	NSS	...DECAL, WARNING	1	
	NSS	...WIRE, ADAPTER	1	

HEATER AND AIR CONDITIONING UNIT

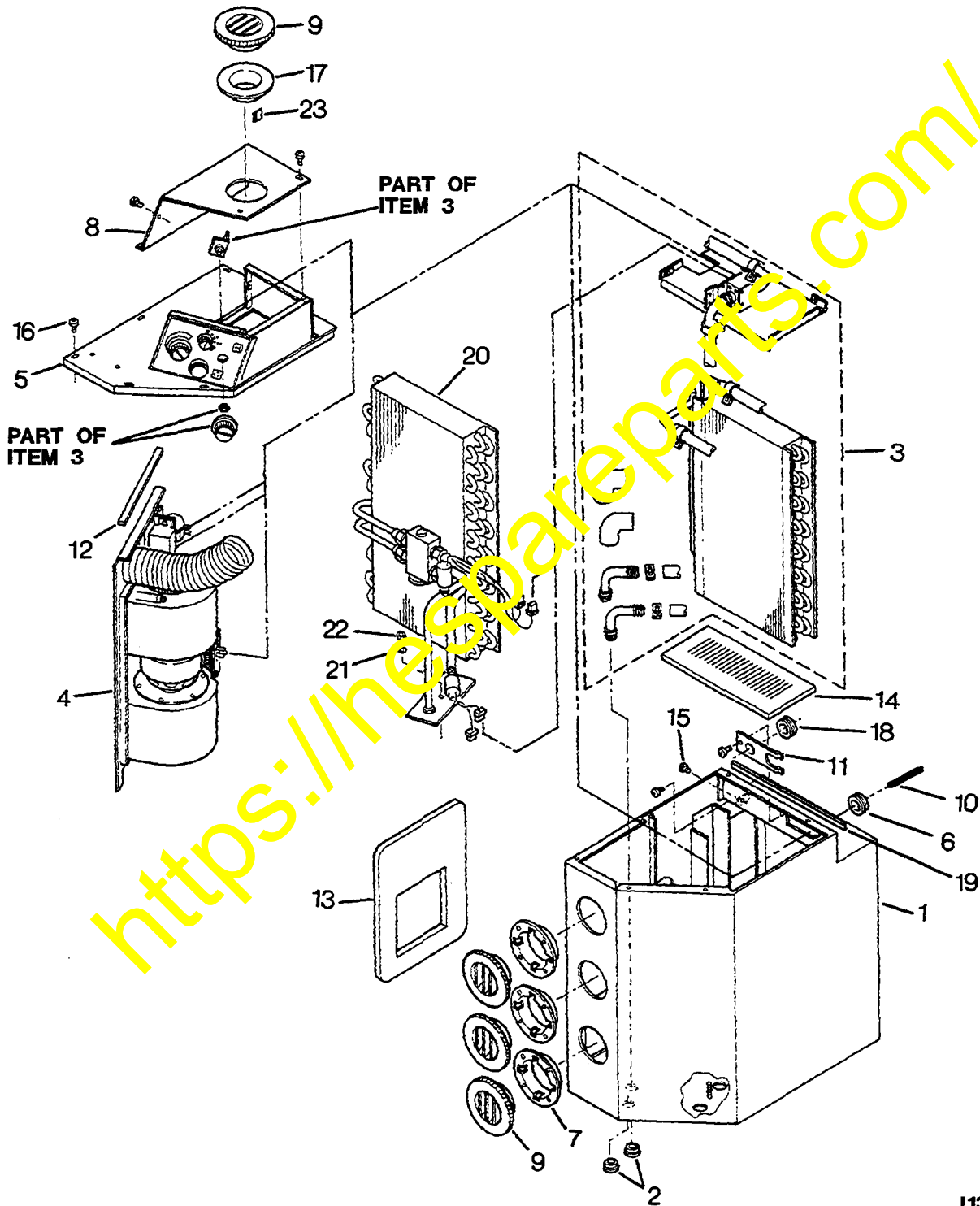


L13EZ050

HEATER AND AIR CONDITIONING UNIT

Item	Part Number	Description	Qty.	Ref.
	418-942-A210	HEATER & AIR CONDITIONER ASSEMBLY	1	
1	425-963-A620	.HOUSING WELDMENT	1	
2	418-942-A220	.PLUG	2	
3		.HEAT GROUP ASSEMBLY (SEE PG 13)	1	
4		.PLATE ASSEMBLY, MOTOR / BLOWER (SEE PG 17)	1	
5		.COVER ASSEMBLY, TOP (SEE PG 19)	1	
6	113 751	.GROMMET, 1" HOLE	1	
7	416-942-A290	.PANEL MOUNT	3	
8	418-942-A260	.PANEL SWITCH BOX	1	
9	416-942-A280	.LOUVER	4	
10	418-T42-A410	.WIRE HARNESS	1	
11	425-963-A560	.PLATE,COVER	1	
12	425-963-AE90	.FOAM 1/4 X 1/2 - 4.25"	1	
13	418-T42-A450	.FOAM GASKET	1	
14	418-T42-A460	.COIL SUPPORT	1	
15	425-963-A790	.SCREW 10-32 X 0.5	2	
16	418-T42-A390	.WHIZLOCK 10-32 X 0.5	15	
17	416-942-A370	.ADAPTER	1	
18	418-942-A270	.GROMMET	1	
19	143 987 H1	.FOAM 9 5/8"	1	
20		COIL, EVAPORATOR (SEE PG 21)	1	
21	120 380	WASHER	1	
22	01580-10609	NUT	1	
23	425-963-A750	CLIP, HOSE	3	
N/I	1431 269 H1	NUT	2	
N/I	1432 893 H1	KNOB	1	
N/I	124 377 R1	SCREW #8 X .50	4	
N/I	418-T42-A320	SERVICE PART MTR	1	
N/I	418-T42-A330	MOTOR	1	
N/I	418-T42-A340	FAN ASSY	1	
N/I	418-T42-A370	SCREW	5	
N/I	1300 164 H1	RESISTOR PAD 24V BLACK	1	
N/I	418-T42-A420	TIE STRAP	1	

HEATER AND AIR CONDITIONING UNIT



<https://www.espareparts.com/>

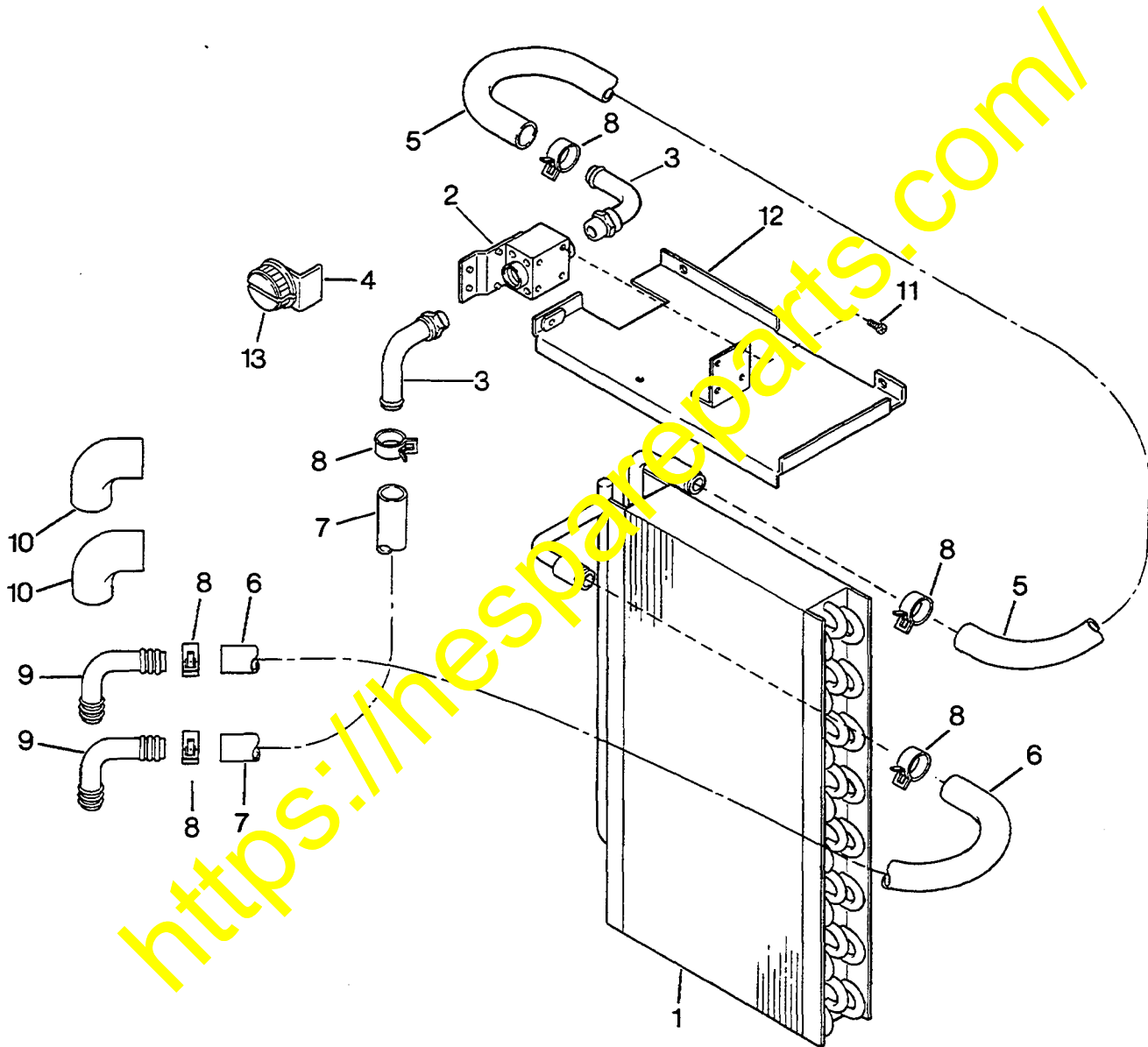
L13EZ050

HEATER AND AIR CONDITIONING UNIT

Item	Part Number	Description	Qty.	Ref.
N/I	418-T42-A430	CLIP	1	
N/I	418-T42-A470	SCREW	3	
N/I	418-T42-A490	KNOB, FEMALE	2	
N/I	418-T42-A510	CLAMP	1	
N/I	418-T42-A520	FITTING 90°	1	
N/I	1434 308 H1	O-RING	1	
N/I	418-T42-A290	INSULATION, HOSE	1	

<https://hespareparts.com/>

HEATER AND AIR CONDITIONING UNIT
HEATER GROUP ASSEMBLY



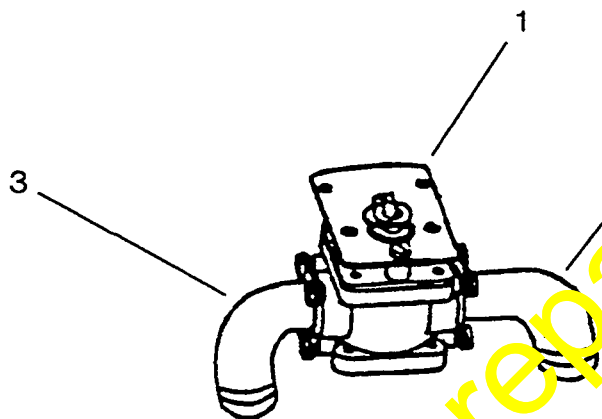
L13EZ026A

HEATER AND AIR CONDITIONING UNIT
HEATER GROUP ASSEMBLY

Item	Part Number	Description	Qty.	Ref.
	418-942-A230	HEAT GROUP ASSEMBLY	1	
1	418-T42-A250	.COIL, HEATER	1	
2		.VALVE, WATER (SEE PG 15)	1	
3	425-963-AE20	.KNOB	1	
4	418-T42-A260	.CABLE ASSEMBLY, WATER VALVE	1	
5	418-T42-A270	.HOSE 5/8 ID, HTR COIL TO WATER VALVE - 3 IN. LONG	1	
6	418-T42-A270	.HOSE 5/8 ID, FITTING TO HTR COIL - 20 IN. LONG	1	
7	418-T42-A270	.HOSE 5/8 ID, WATER VALVE TO FITTING - 26 IN. LONG	1	
8	1434 665 H1	.CLAMP, HOSE	6	
9	418-T42-A280	.FITTING, 90 DEGREE 5/8 SPLICE	2	
10	418-T42-A290	.INSULATION, 3 IN. LONG	2	
11	418-T42-A390	.BOLT, 10-32 X 1/2 TORX TRUSS	4	
12	425-963-A680	.COVER, COIL WELDMEN	1	

<https://hespareparts.com/>

HEATER VALVE CONTROL



<https://hespareparts.com/>

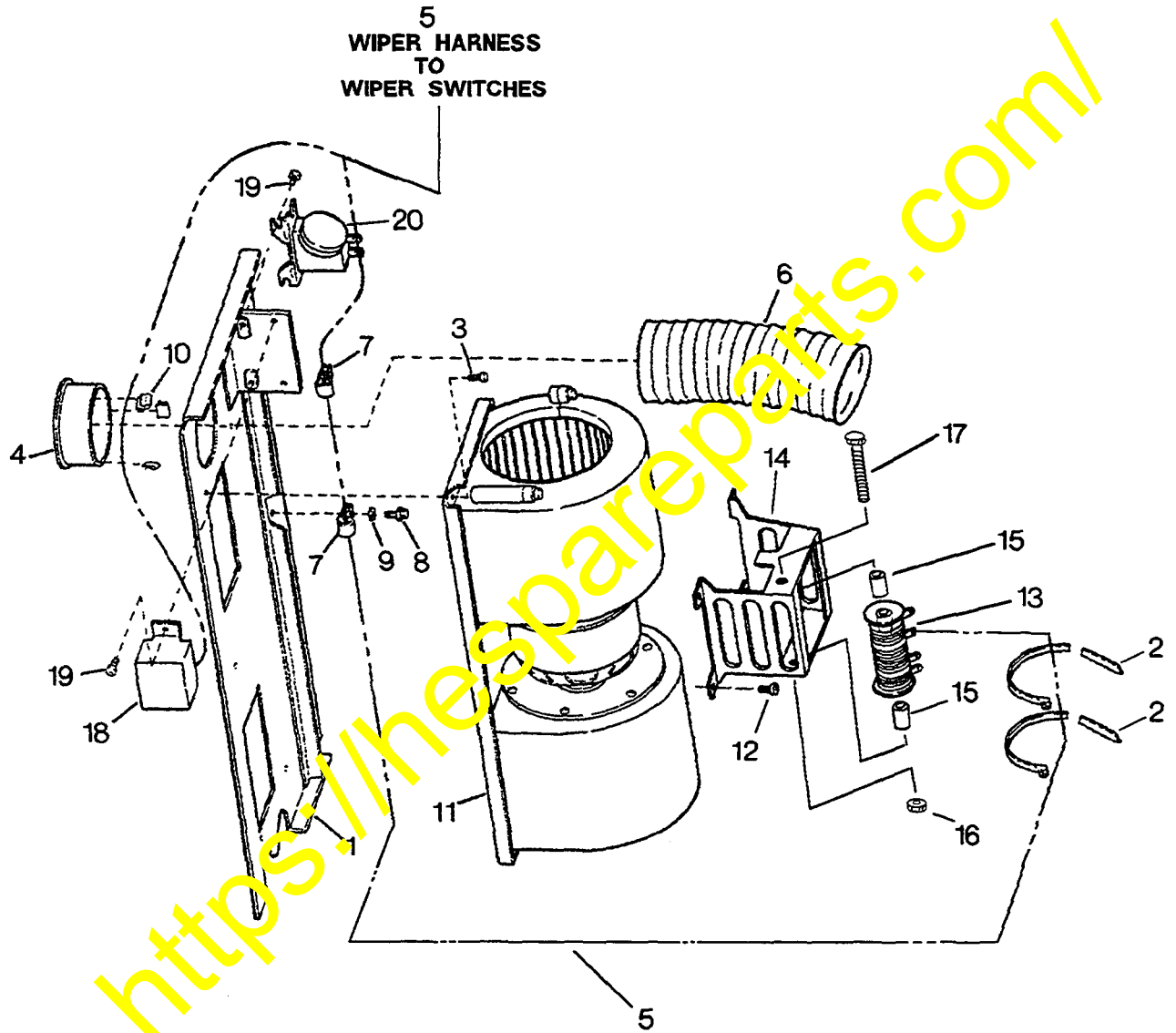
L13EZ059

HEATER VALVE CONTROL

Item	Part Number	Description	Qty.	Ref.
	1432 888 H91	ASSEMBLY, VALVE	1	
1	1431 241 H1	. VALVE, HEATER CONTROL	1	
2	1431 246 H1	. ELBOW 90°	1	
3	1432 895 H1	. ELBOW SHORT 90°	1	
	298 385 R1	. O-RING #17	2	
	1431 248 H1	. RETAINER	2	
	9419 926	. SCREW, PAN CR TAP 8-18 X 7/16	8	

<https://hespareparts.com/>

HEATER AND AIR CONDITIONING UNIT
MOTOR / BLOWER PLATE ASSEMBLY

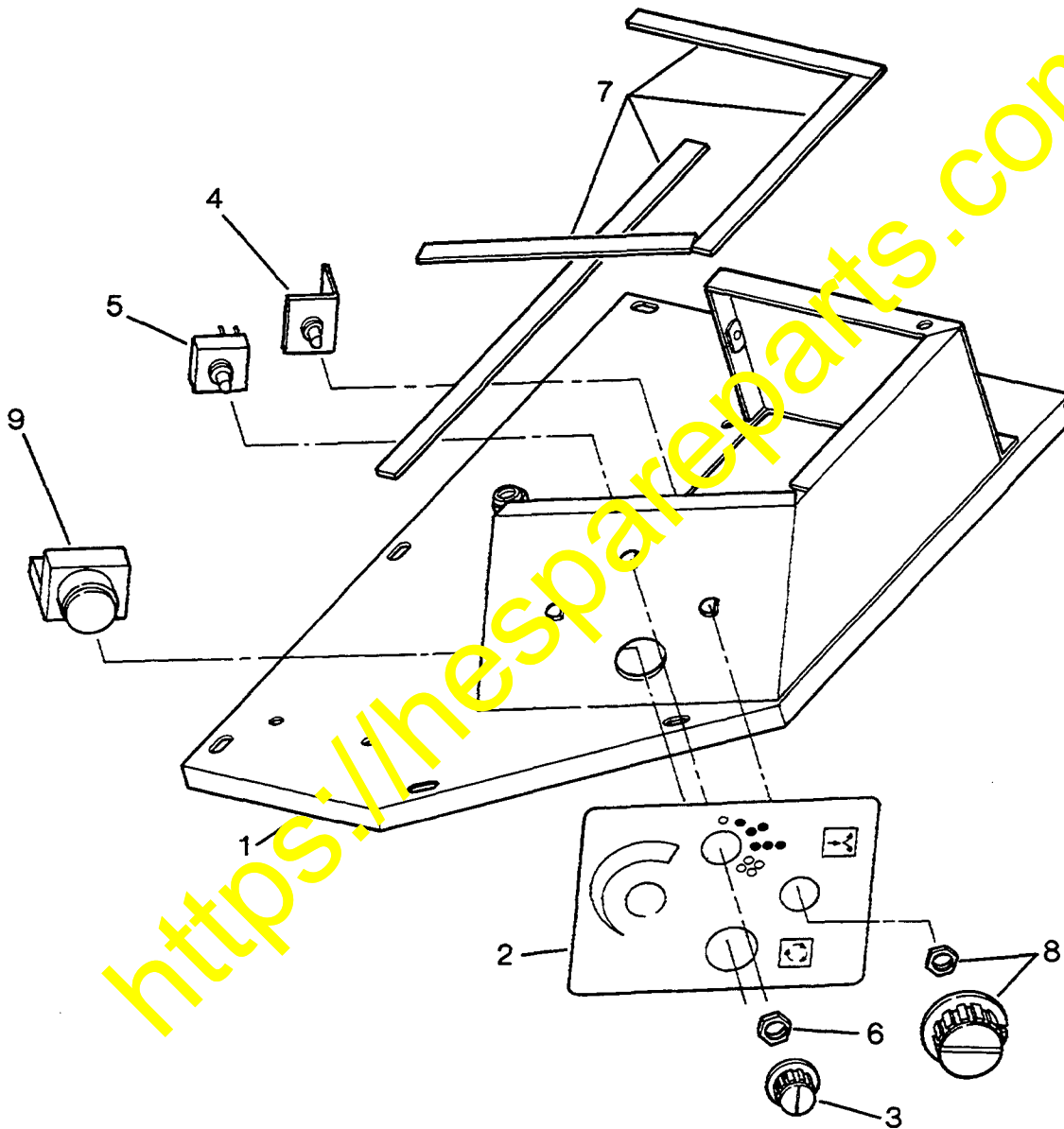


L13EZ051

HEATER AND AIR CONDITIONING UNIT
MOTOR / BLOWER PLATE ASSEMBLY

Item	Part Number	Description	Qty.	Ref.
	418-942-A240	MOTOR / BLOWER PLATE ASSEMBLY	1	
1	418-T42-A310	.FAN PLATE WELDMENT	1	
2	935 522 C1	.TIE, NYLON 7-1/2	2	
3	418-942-A290	.SCREW #8	5	
4	416-942-A340	.ADAPTER FLEX HOSE 2-1/2	1	
5	425-963-AD31	.HARNESS, WIRE	1	
6	418-T42-A380	.HOSE, FLEX DUCT 2-1/2	1	
7	425-963-AA60	.CLAMP, WIRING 0.375 DIA	2	
8	418-T42-A390	.SCREW #10	2	
9	418-942-A350	.WASHER FLAT 3/16 I.D.	2	
10	418-T42-A430	.CLIP U-TYPE	3	
	418-942-A280	.BLOWER / RESISTOR ASSEMBLY	1	
11	425-963-AE30	..HOUSING / MOTOR	1	
12	425-963-AF40	..SCREW #8	4	
	418-942-A320	..RESISTOR ASSEMBLY	1	
13	418-942-A340	...RESISTOR	1	
14	425-963-A691	...BRACKET, RESISTOR	1	
15	425-963-AF30	...SPACER, RESISTOR	2	
16	416-942-A420	...NUT, HEX 1/4-20	1	
17	418-942-A350	...CAP SCREW, HEX HD 1/4-20 X 3.75	1	
18	425-963-AA90	REFLAC HEATER COIL	1	
19	425-963-A850	BOLT 10-32 X 1/2 TORX TRUSS	4	
20	425-963-AB50	THERMOSTAT	1	

HEATER AND AIR CONDITIONING UNIT
TOP COVER ASSEMBLY



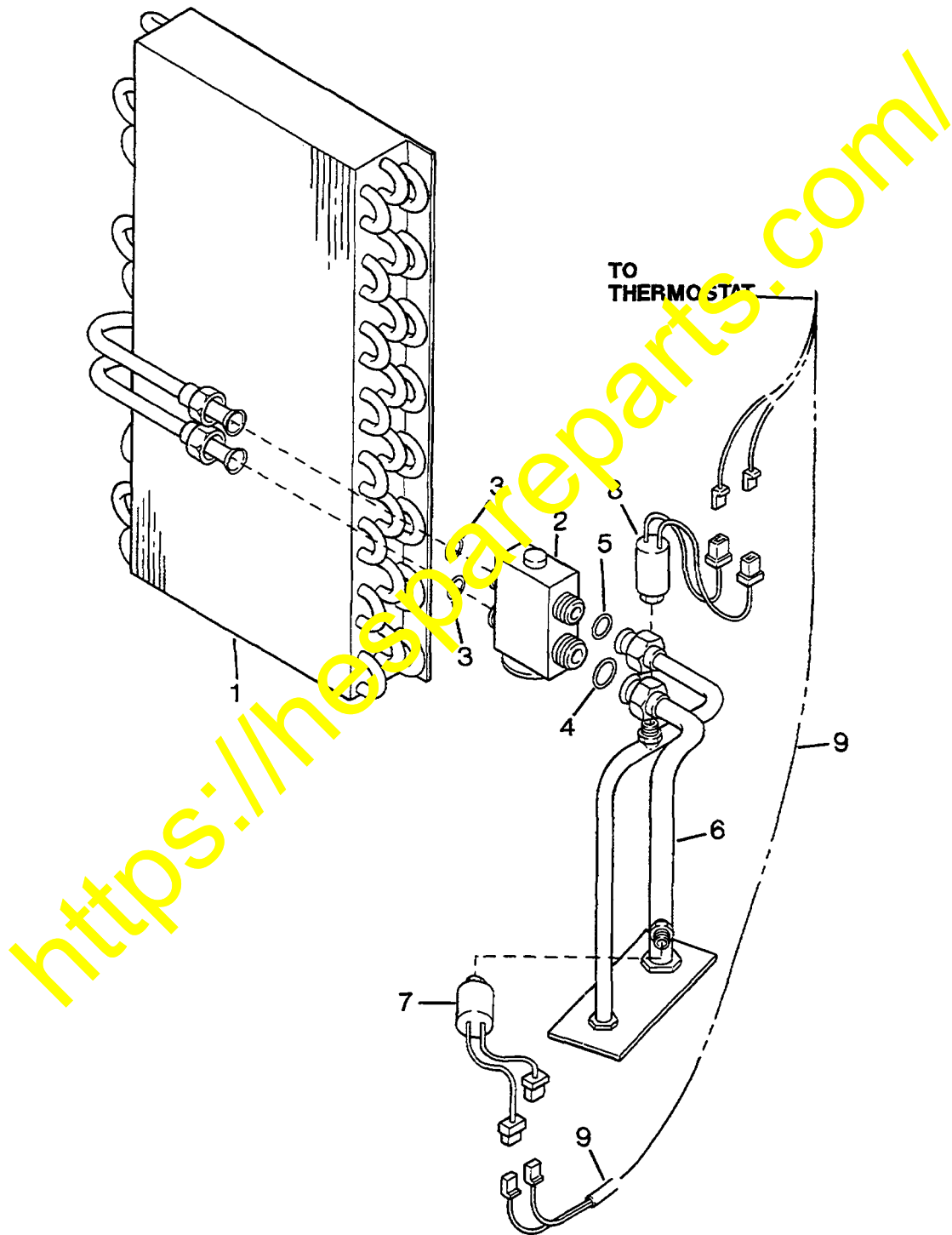
L13FD086

 HEATER AND AIR CONDITIONING UNIT
 TOP COVER ASSEMBLY

Item	Part Number	Description	Qty.	Ref.
	418-942-A250	COVER ASSEMBLY	1	
1	418-942-A300	.COVER TOP WELDMENT	1	
2	418-T42-A220	.DECAL, SWITCH PANEL	1	
3	20Y-977-A810	.KNOB, FAN CONTROL	1	
4	418-T42-A230	.CABLE ASSEMBLY, RECIRCULATING AIR DOOR	1	
5	1432 899 H1	.SWITCH, FAN	1	
6	418-942-A310	.NUT, JAM 7/16-28	1	
7		FOAM, COVER	4	F1
8	425-963-AE20	KNOB, FAN CONTROL	1	
9	425-963-AC70	SWITCH, A/C PUSH BUTTON	1	
	425-963-AE80	FOAM, BULK - 40 IN. LONG		AR

F1 - CUT FROM BULK FOAM 425-963-AE80 CUT TO FIT.

HEATER AND AIR CONDITIONING UNIT
EVAPORATOR COIL ASSEMBLY

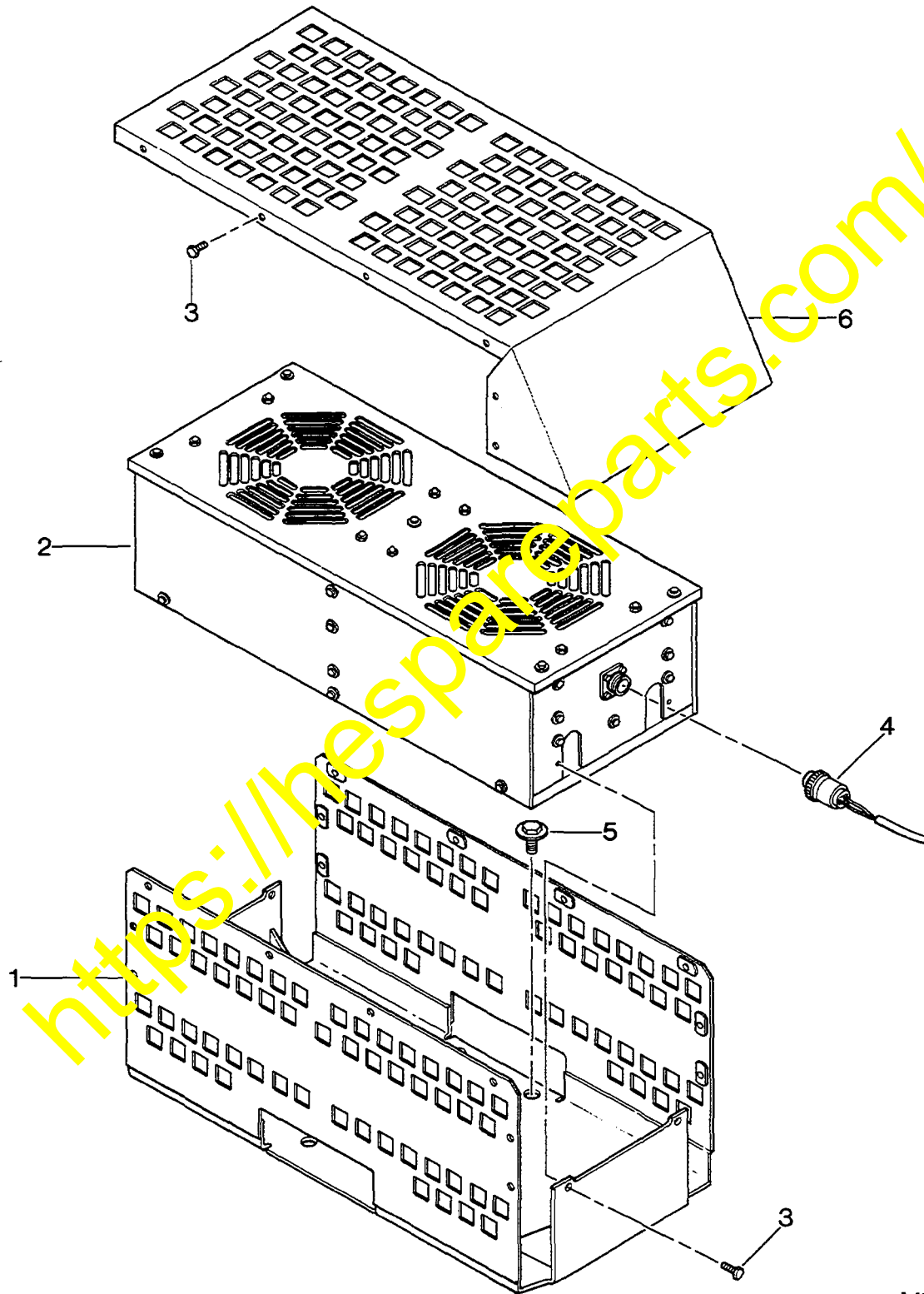


L13EZ030

HEATER AND AIR CONDITIONING UNIT
EVAPORATOR COIL ASSEMBLY

Item	Part Number	Description	Qty.	Ref.
1	425-963-AC10	COIL, EVAPORATOR	1	
2	1303 672 H1	VALVE, BLOCK	1	
3	425-963-AB60	O-RING, 13/32	2	
4	425-963-AB80	O-RING, 1/2	1	
5	425-963-AB70	O-RING, 5/16	1	
6	425-963-AC80	LINE, HARD AIR CONDITIONING	1	
7	1432 111 H1	SWITCH, LOW PRESSURE	1	
8	1432 110 H1	SWITCH, HIGH PRESSURE	1	
9	425-963-AD60	HARNESS, WIRING	1	

AIR CONDITIONER
CONDENSER AND MOUNTING - EAGLE



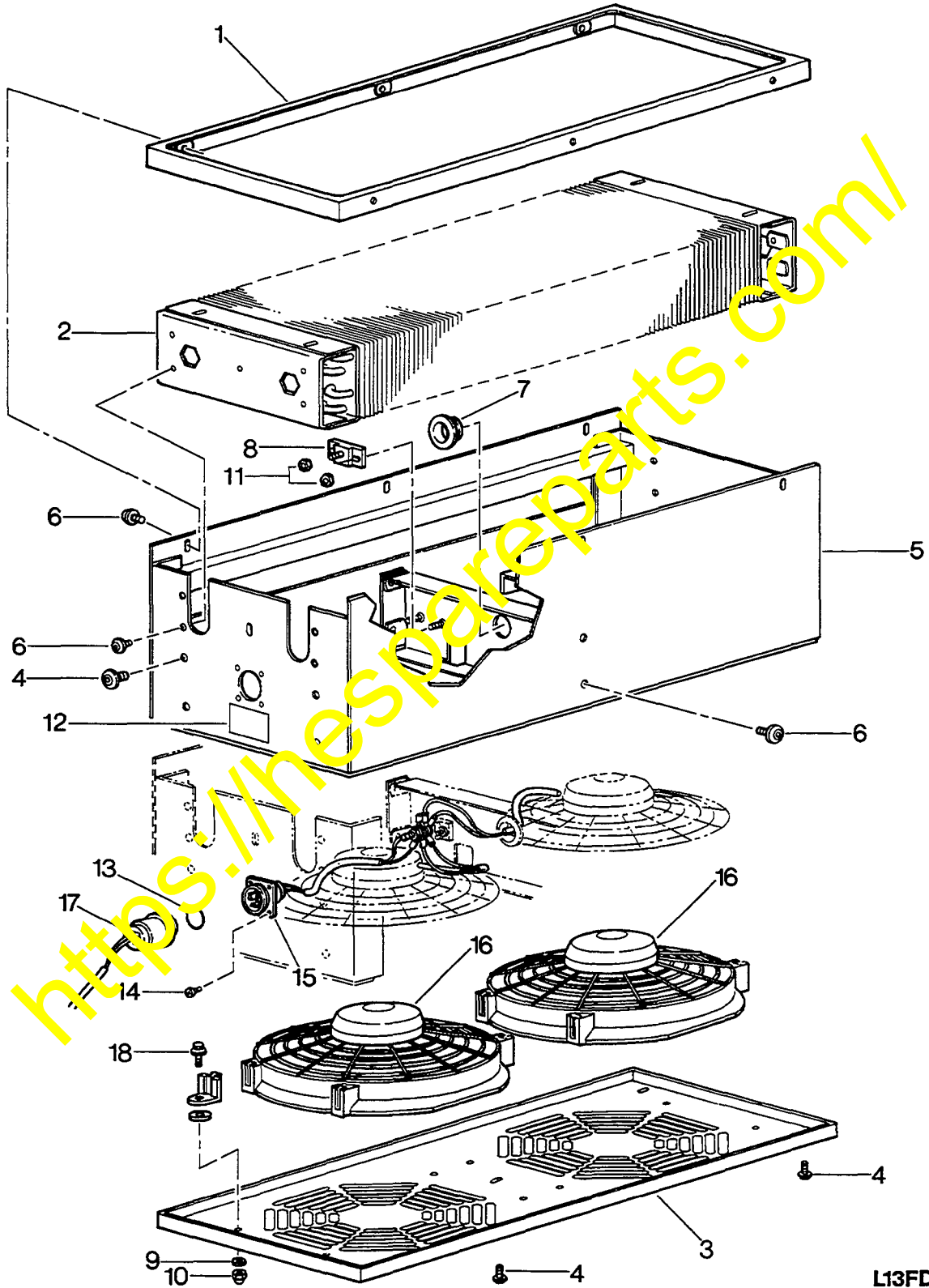
L13FD058

AIR CONDITIONER
CONDENSER AND MOUNTING - EAGLE

Item	Part Number	Description	Qty.	Ref.
	417-963-A260	KIT, CONDENSER MOUNTING	1	
1	417-963-A350	.BRACKET, CONDENSER	1	
2		.CONDENSER ASSEMBLY (SEE PG 25)	1	
3	NSS	.BOLT, 5/16 - 18 X 3/4 - WHIZLOCK	4	
4	417-963-A330	.HARNES, EXTERNAL - JUMPER	1	
5	NSS	.BOLT, 3/4 X 1 1/2	6	
6	417-963-A360	.COVER, CONDENSER	1	

<https://hespareparts.com/>

AIR CONDITIONER
CONDENSER ASSEMBLY - EAGLE

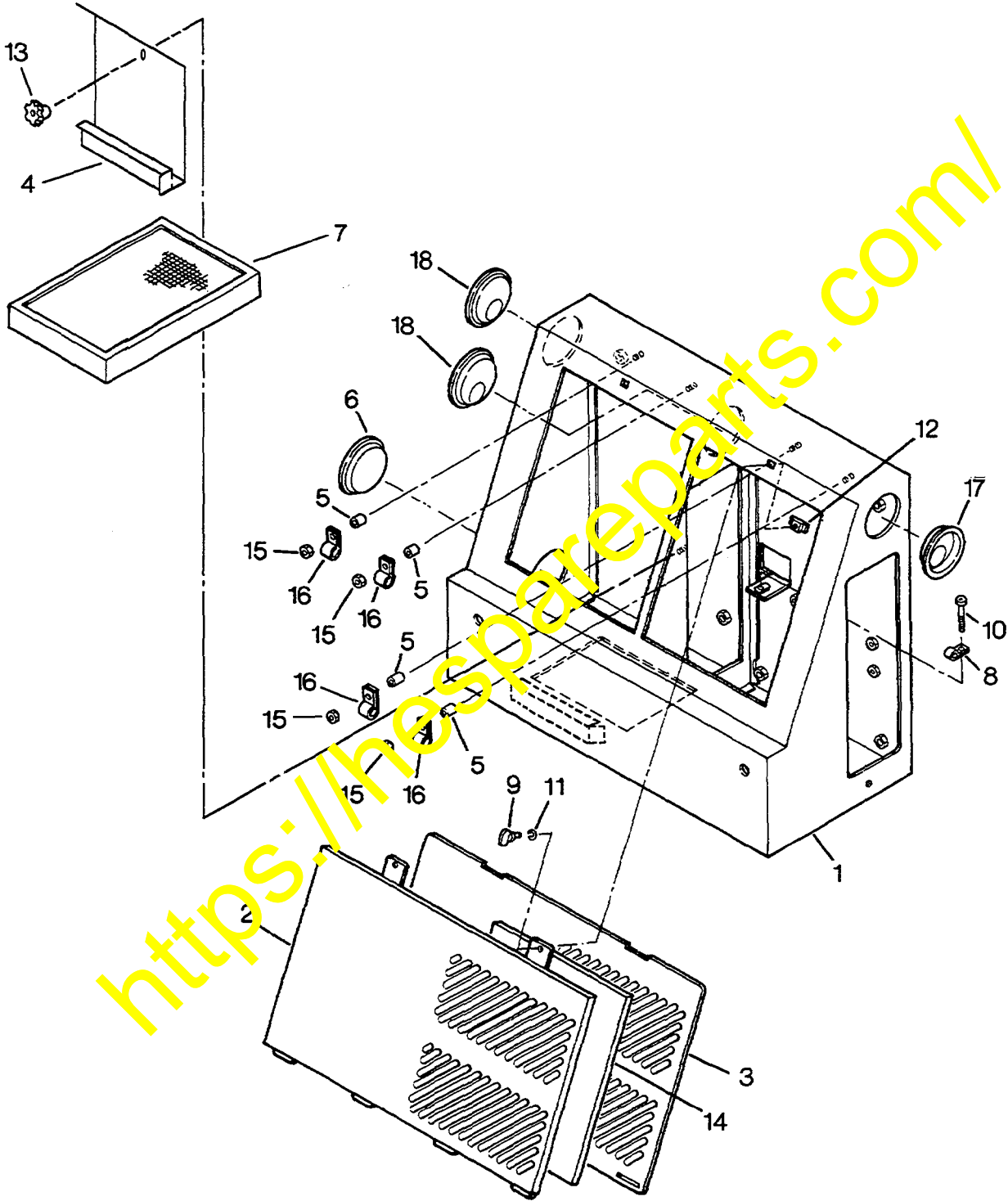


L13FD057

AIR CONDITIONER
CONDENSER ASSEMBLY - EAGLE

Item	Part Number	Description	Qty.	Ref.
	417-963-A340	CONDENSER ASSEMBLY	1	
1	416-963-A320	.SCREEN	1	
2	416-963-A310	.COIL ASSEMBLY	1	
3	416-963-A410	.TOP	1	
4	416-942-A060	.SCREW, 5/16 X 1/2 - TRUSS TORX	18	
5	416-963-A330	.HOUSING	1	
6	418-T42-A470	.SCREW, 1/4-20 X 1/2 - TORX / WHIZLOCK	17	
7	425-963-A990	.GROMMET, RUBBER - 7/8	1	
8	416-963-A340	.BLOCK, TERMINAL STUD - #10-32	1	
9	174 916	.WASHER, 1/4 - LOCK (TOOTH)	8	
10	131 420	.NUT, 1/4-20 - ACORN	8	
11	416-942-A150	.NUT, #10-32 - KEP	3	
12	1300 160 H1	.DECAL, 24 VOLT	1	
13	416-963-A360	.SEAL	1	
14	416-963-A370	.SCREW, #6-32 X 1/2 - SLOTTED	4	
15	416-963-A380	.HARNESS, INTERNAL	1	
16	416-963-A390	.FAN, 9" PUSHER - 10 BLADE - 24 VOLT	2	
17		.HARNESS, EXTERNAL (SEE PG 23)	1	
18	425-963-A730	.SCREW, 1/4-20 X 3/4 - WHIZLOCK	8	

FILTER BOX ASSEMBLY

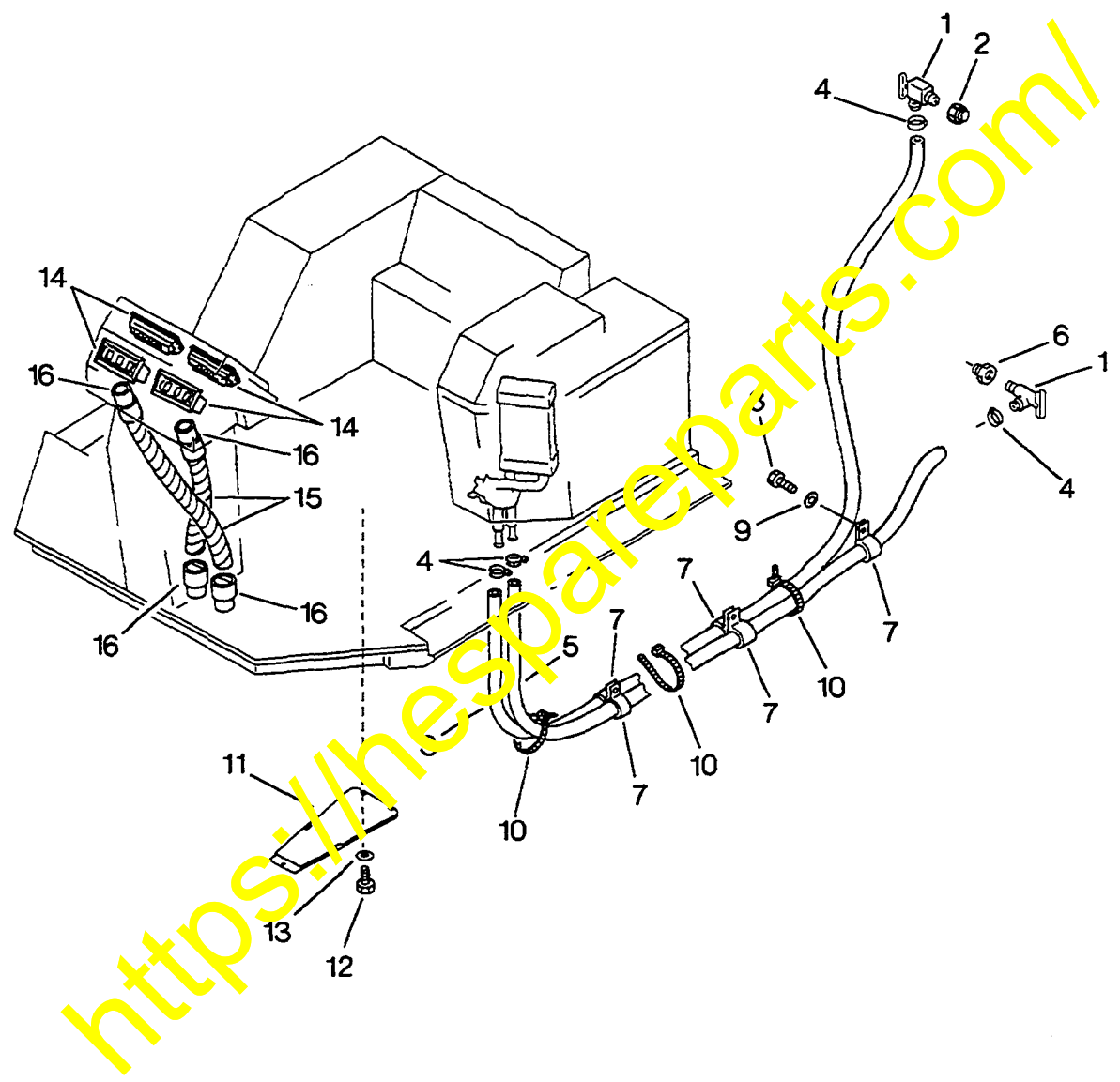


L13EZ052

 FILTER BOX ASSEMBLY

Item	Part Number	Description	Qty.	Ref.
	418-963-A140	FILTER BOX ASSEMBLY	1	
1	418-963-A130	.WELDMENT, FILTER BOX	1	
2	425-963-A660	.DOOR, OUTER RECIRCULATING FILTER	1	
3	425-963-A520	.DOOR, INNER RECIRCULATING FILTER	1	
4	418-963-A410	.CLAMP, FILTER	1	
5	425-963-A920	.SPACER, 1/2 X 1/4 X 1/4	4	
6	425-963-A780	.PLUG, 3 IN	1	
7	425-963-AC40	.FILTER, FRESH AIR	1	
8	425-963-AA50	.CLAMP, RECIRCULATING DOOR	1	
9	425-963-A880	.STUD, 1/4 AJW HD	2	
10	418-T42-A390	.TRUSS HD TORX 10-32 X 0.50	1	
11	425-963-A770	.RETAINER, SNAP	2	
12	425-963-A760	.RECEPTACLE, SQUARE	2	
13	423-963-A420	.KNOB, 1/4 FEMALE	2	
14	425-963-A610	.FILTER, RECIRCULATING AIR	1	
15	418-963-A430	.NUT, M6 X 1 HEX	4	
16	425-963-A740	.CLAMP, WIRING	4	
17	425-963-AD90	.PLUG, 2 1/2 IN	1	
18	425-963-AE10	.PLUG, 2 IN	2	
19	425-963-AE80	.FOAM, U, 1.25 X 0.50 X 88 IN	1	
20	418-963-A440	.FOAM, U, 1.25 X 3.75 X 14 IN	1	

HEATER PIPING (EAGLE)
(WA250-1LC)



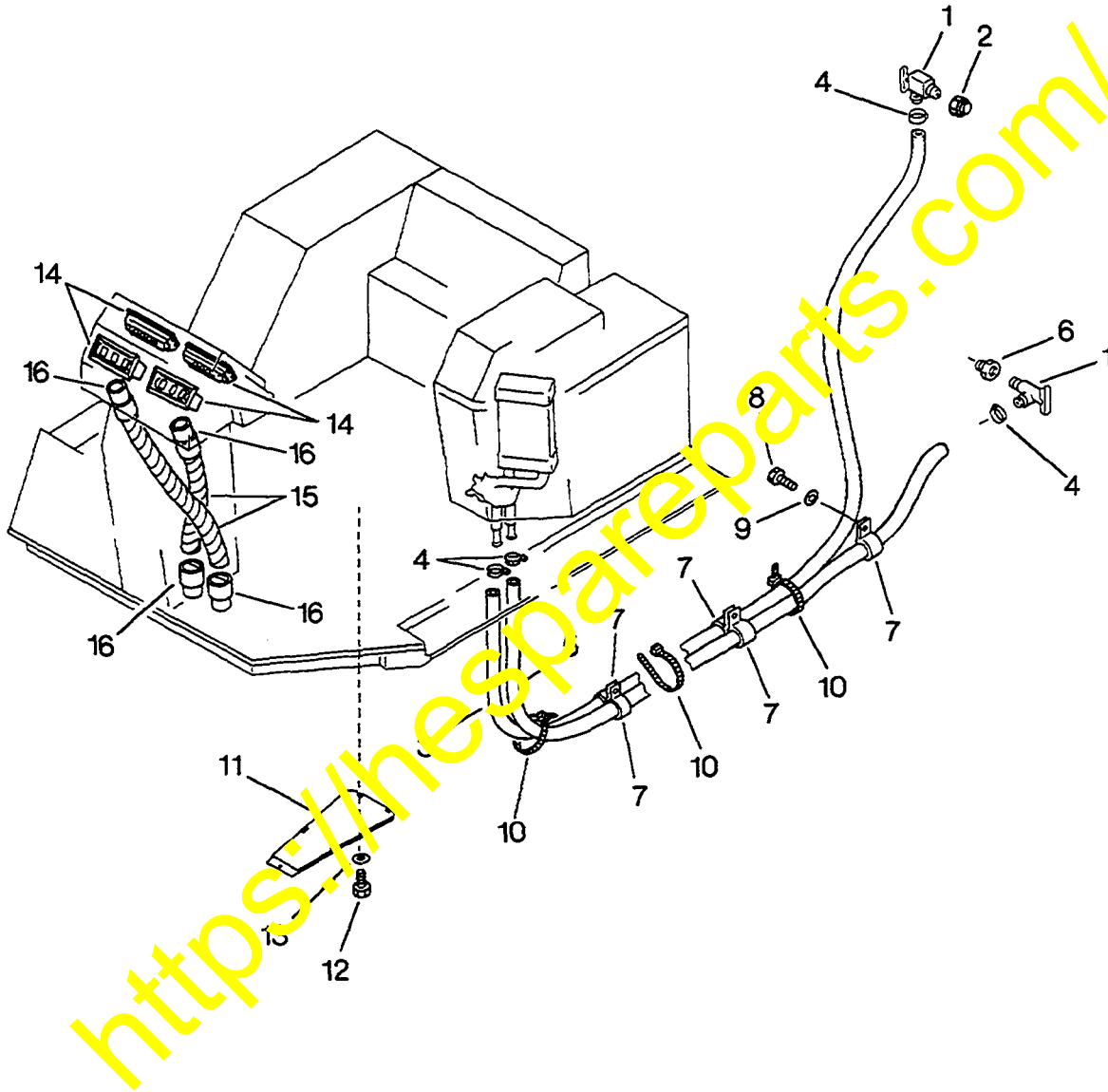
L13ED035

HEATER PIPING (EAGLE)
(WA250-1LC)

Item	Part Number	Description	Qty.	Ref.
	418-963-A090	PARTS MOUNTING	1	
1	301 803 R91	.VALVE, SHUTOFF	2	
2	44 034	.BUSHING, PIPE RED. 1/2P X 3/8P	1	
3		.HOSE (CUT TO 89 INCHES)	1	F1
4	07281-00259	.CLAMP	4	
5		.HOSE (CUT TO 85 INCHES)	1	F1
6	115 224	.ADAPTER-REDUCER PIPE 3/4 X 3/8	1	
7	08036-02514	.CLIP	7	
8	01010-51020	.BOLT	5	
9	01643-31032	.WASHER	5	
10	306 132 C2	.STRAP	3	
11	419-54-12413	.COVER	1	
12	01010-50816	.BOLT	5	
13	01643-30823	.WASHER, M8	5	
14	421-07-12512	.GRILLE ASSY	6	
15	421-07-12831	.HOSE	2	
16	421-07-12810	.CONNECTOR	4	

F1 - CUT FROM BULK HOSE 364 359 C1

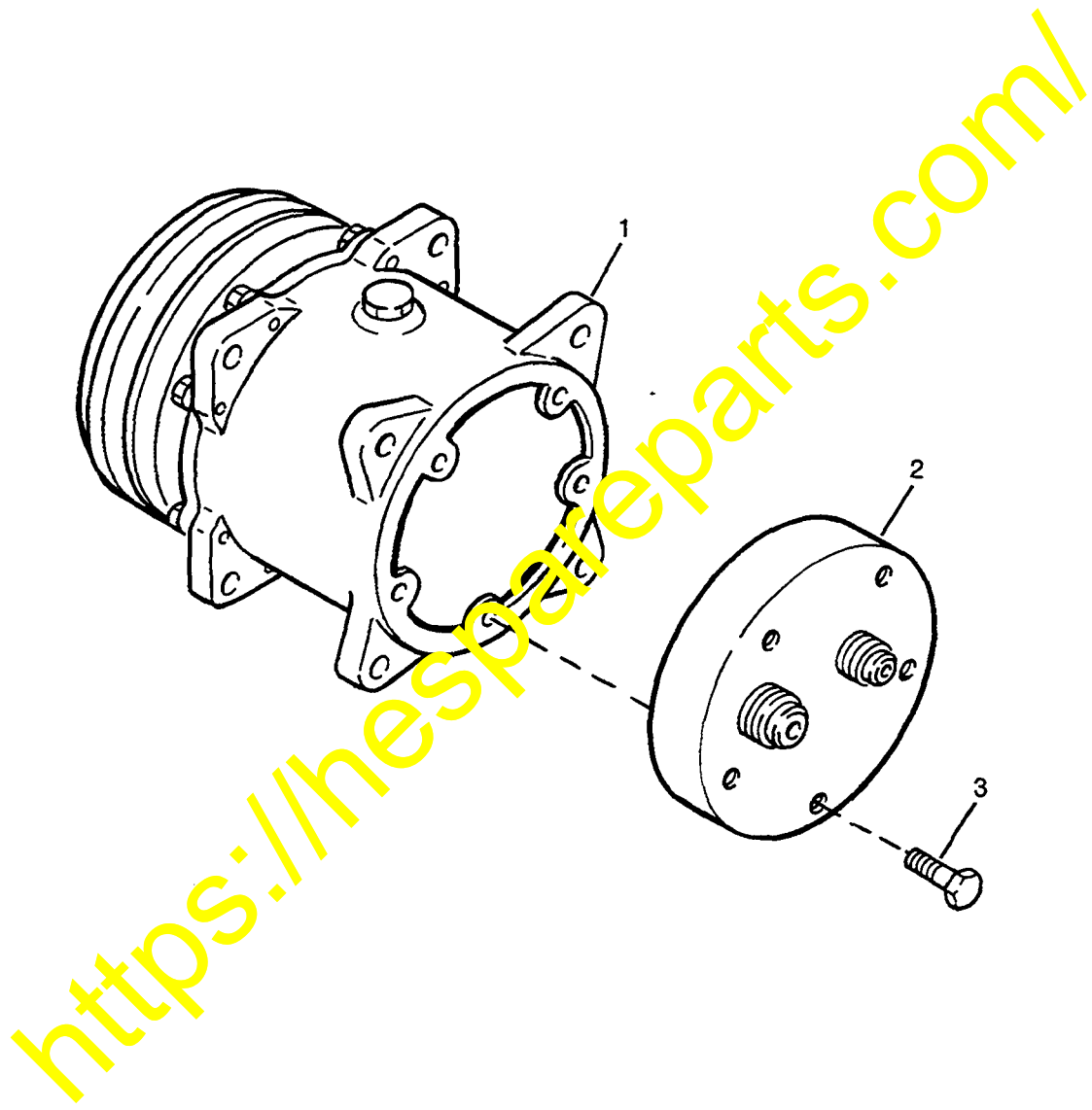
HEATER PIPING (EAGLE)
(WA320-1LC)



L13ED035

HEATER PIPING (EAGLE) (WA320-1LC)			
Item	Part Number	Description	Qty. Ref.
	419-963-A040	PARTS MOUNTING	1
1	301 803 R91	.VALVE, SHUTOFF	2
2	44 034	.BUSHING, PIPE RED. 1/2P X 3/8P	1
3		.HOSE (CUT TO 89 INCHES)	1 F1
4	07281-00259	.CLAMP	4
5		.HOSE (CUT TO 85 INCHES)	1 F1
6	115 224	.ADAPTER-REDUCER PIPE 3/4 X 3/8	1
7	08036-02514	.CLIP	7
8	01010-51020	.BOLT	5
9	01643-31032	.WASHER	5
10	306 132 C2	.STRAP	3
11	421-54-18480	.COVER	1
12	01010-50816	.BOLT	5
13	01643-30823	.WASHER, M8	5
14	421-07-12512	.GRILLE ASSY	6
15	421-07-12831	.HOSE	2
16	421-07-12810	.CONNECTOR	4
N/I	423-07-11110	.INSULATOR	1
	419-963-1430	.CLIP	5
	424-09-12550	.CLIP	1
	01435 01016	.BOLT	5
	419-963-1530	.HARNES, WIRING (condenser - bulkhead - ground)	1
	306 132 C2	.STRAP	18
	01435 01220	.BOLT	2
	421-06-12880	.HARNES (blwr resist-A/C unit-A/C & cond. relay)	1
	08036 01414	.CLIP	2
	01435 01020	.BOLT	2
	424-06-12790	.CLIP	3
	01435 01025	.BOLT	1
	01550 01008	.NUT	1
	01010 51225	.BOLT	6
	01643 31232	.WASHER	6
	419-963-A110	.GUARD, FINGER	1
	419-963-1620	.PLATE	2
	01435 00820	.BOLT	2
	01435 01220	.BOLT	2
		F1 - CUT FROM BULK HOSE 364 359 C1	

AIR CONDITIONER COMPRESSOR
(EAGLE)



L13EM004

AIR CONDITIONER COMPRESSOR
(EAGLE)

Item	Part Number	Description	Qty.	Ref.
	417-963-A290	COMPRESSOR ASSEMBLY, REFRIGERANT	1	
1	NSS	.COMPRESSOR, REFRIGERANT - R134A	1	
2	419-963-AB40	.HEAD, CYLINDER	1	
3	NSS	.SCREW, CYLINDER HEAD	5	

<https://hespareparts.com/>

<https://hespareparts.com/>