

PARTS & SERVICE NEWS

REF NO.	AA96022
DATE	OCT. 22, 1996

SUBJECT: SERVICE ENGINE & OIL BYPASS FILTER & FUEL FILTER

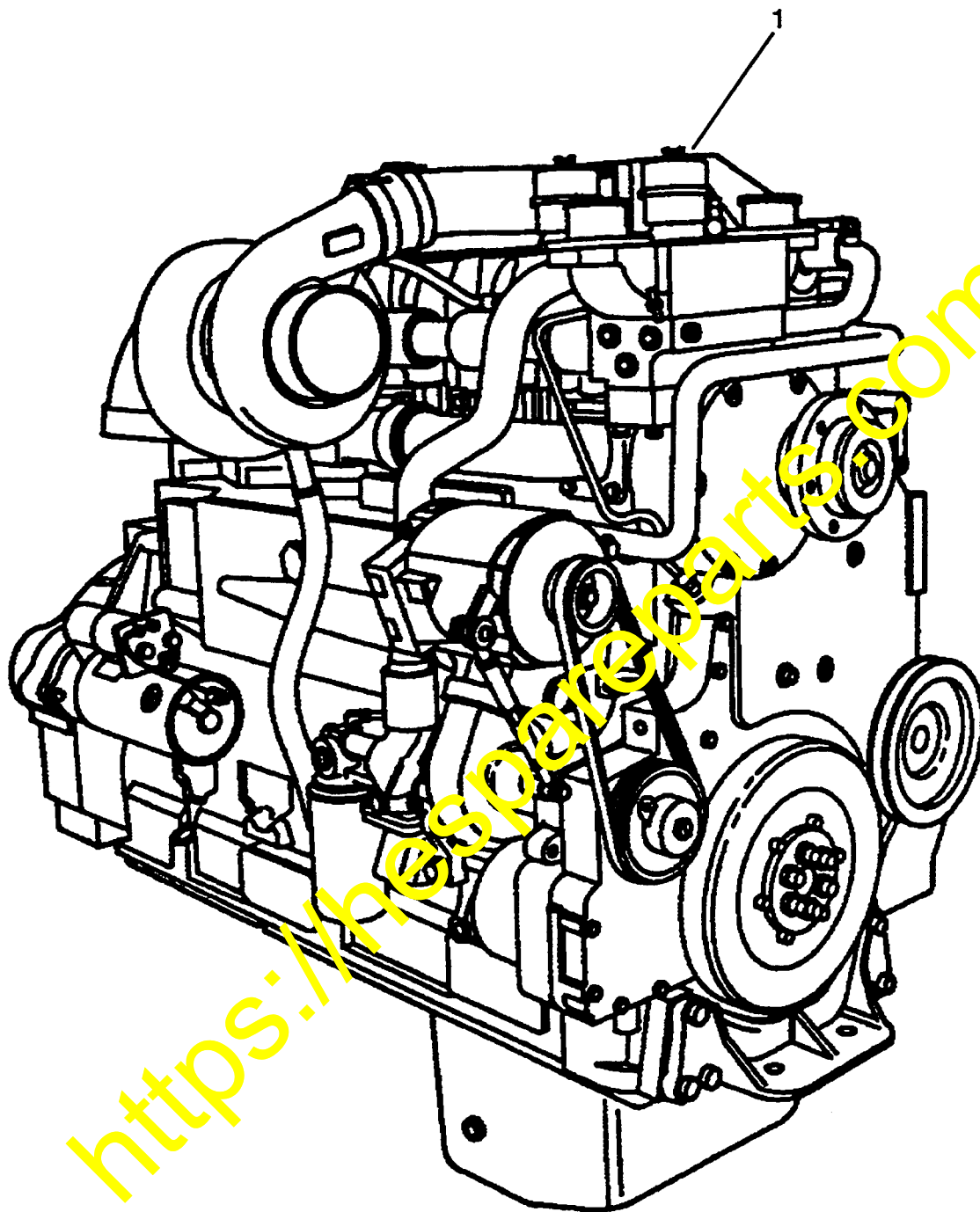
PURPOSE: To supplement Parts Book BEPBW26031

APPLICATION: WA600-1LC Wheel Loader with Serial Number A50001 and up.

DESCRIPTION: This Parts & Service News releases a Part Number for a Service Engine. It also releases the latest part information for the fuel filter and bypass oil filter mounted on the engine.

<https://hespareparts.com/>

ENGINE ASSEMBLIES



K19ENG

ENGINE ASSEMBLIES

Item	Part Number	Description	Qty.	Ref.
1	1301 232 H92	ENGINE, SERVICE	1	F1,F2,R1

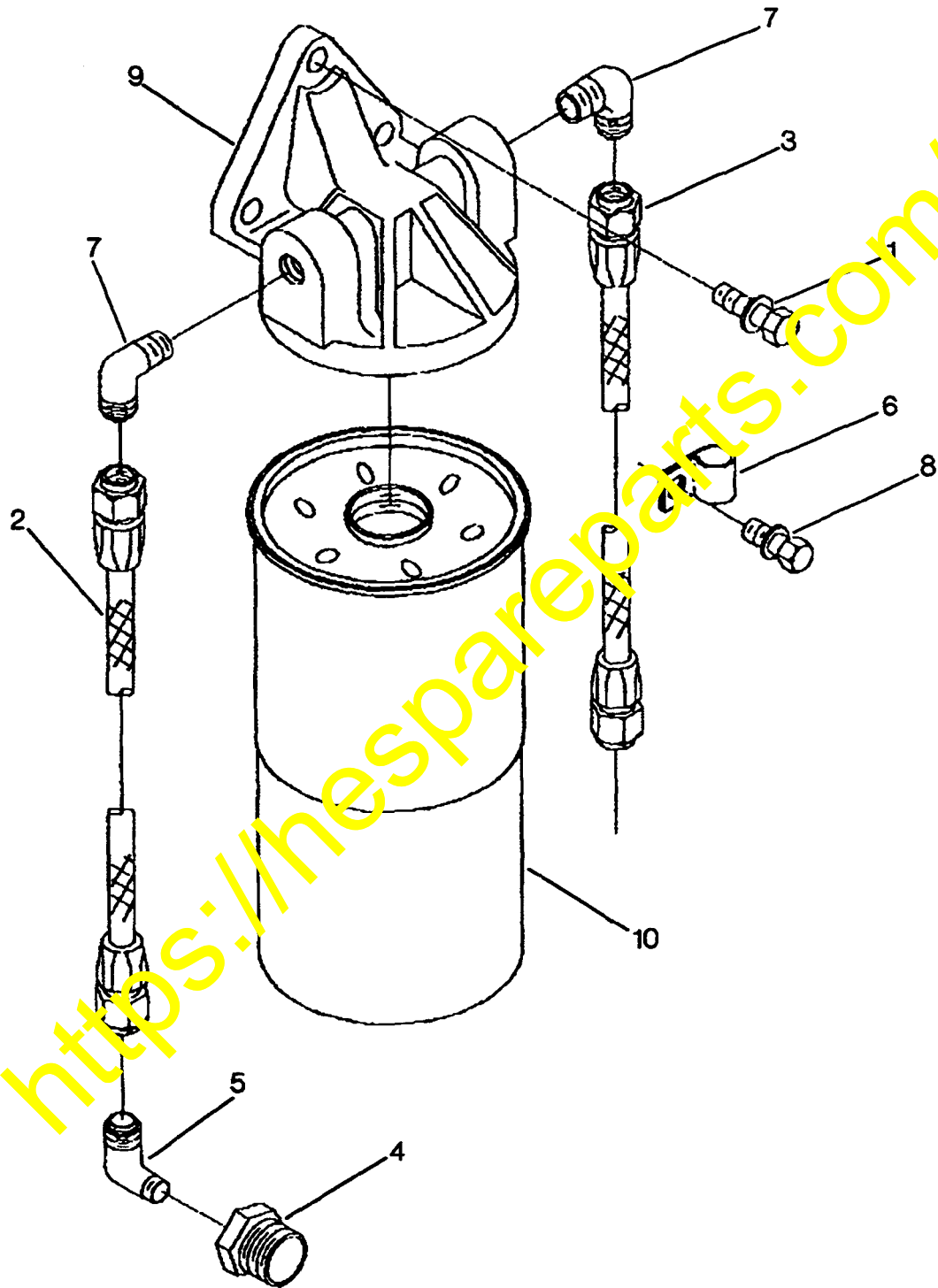
F1 - THE SERVICE ENGINE IS LESS; FAN SPACE & PILOT, FAN, COOLANT TEMPERATURE SENSOR, COOLANT TEMPERATURE SWITCH, BLOCK DRAIN & HARDWARE, OIL LEVEL SENSOR, OIL PRESSURE SWITCH, ENGINE OIL DRAIN & HARDWARE, ALTERNATOR AND STARTER.

F2 - WHEN ORDERING A SERVICE ENGINE, GIVE COMPLETE SERIAL NUMBER (INCLUDING LETTERS AND NUMERALS) SHOWN ON THE ENGINE TO BE REPLACED.

R1 - REMANUFACTURED ASSEMBLY AVAILABLE; REFER TO REMANUFACTURED ASSEMBLIES CATALOG.

<https://hespareparts.com/>

LUBE OIL BYPASS FILTER



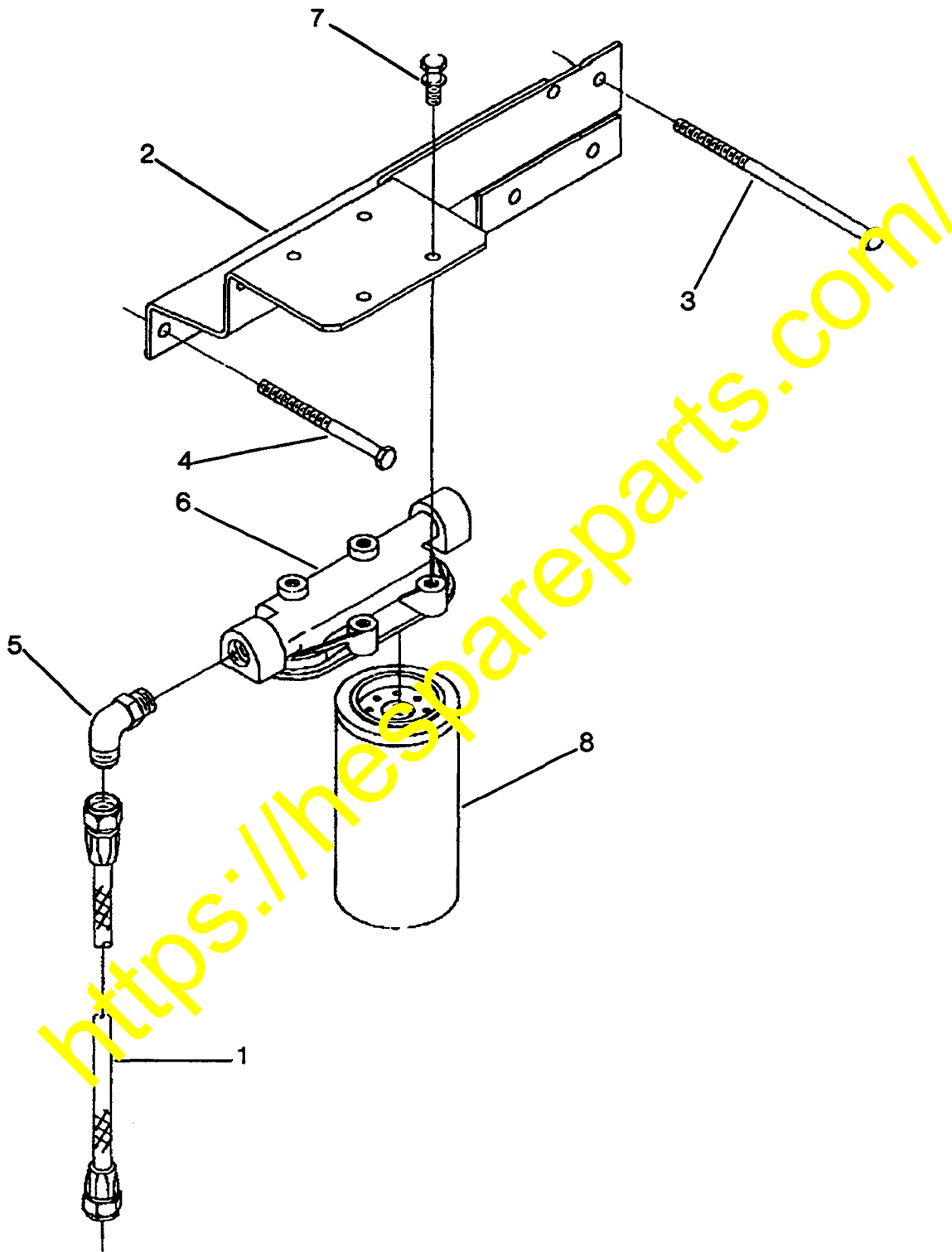
E3AI0023

LUBE OIL BYPASS FILTER

Item	Part Number	Description	Qty.	Ref.
1	1239 759 H1	BOLT (3/8 - 16x1 1/4 INCH)	3	
2	1296 831 H1	HOSE, FLEXIBLE	1	
3	1296 830 H1	HOSE, FLEXIBLE	1	
4	1241 426 H1	BUSHING	1	
5	1237 992 H1	ELBOW, MALE ADAPTER	1	
6	1240 018 H1	CLIP	4	
7	1240 023 H1	ELBOW, MALE ADAPTER	2	
8	1239 733 H1	BOLT (3/8 - 16x15/16 INCH)	1	
9	1239 939 H1	HEAD, LUBE OIL FILTER	1	
10	1239 944 H2	FILTER, LUBE OIL BYPASS	1	

<https://hespareparts.com/>

FUEL FILTER



E4AI0021

FUEL FILTER

Item	Part Number	Description	Qty.	Ref.
1	1296 907 H91	HOSE, FLEXIBLE	1	
2	1296 832 H1	BRACKET, FILTER	1	
3	1296 834 H1	BOLT (3/8 - 16x8 INCH)	3	
4	1296 833 H1	BOLT (3/8 - 16x5 INCH)	3	
5	1238 257 H1	ELBOW, MALE UNION	2	
6	1238 853 H1	HEAD, FUEL FILTER	1	
7	140 483 H	BOLT (3/8 - 16x1 1/4 INCH)	4	
8	1240 483 H1	FILTER, FUEL	2	

<https://hespareparts.com/>

MEMORANDUM

<https://hespareparts.com/>