

PARTS & SERVICE NEWS

REF NO.	AA96027
DATE	Oct 25, 1996

SUBJECT: FUEL FILTER

PURPOSE: Correct Part Number

APPLICATION: WA600-1LE with QSK19-C engine ESN 37159529 and up.

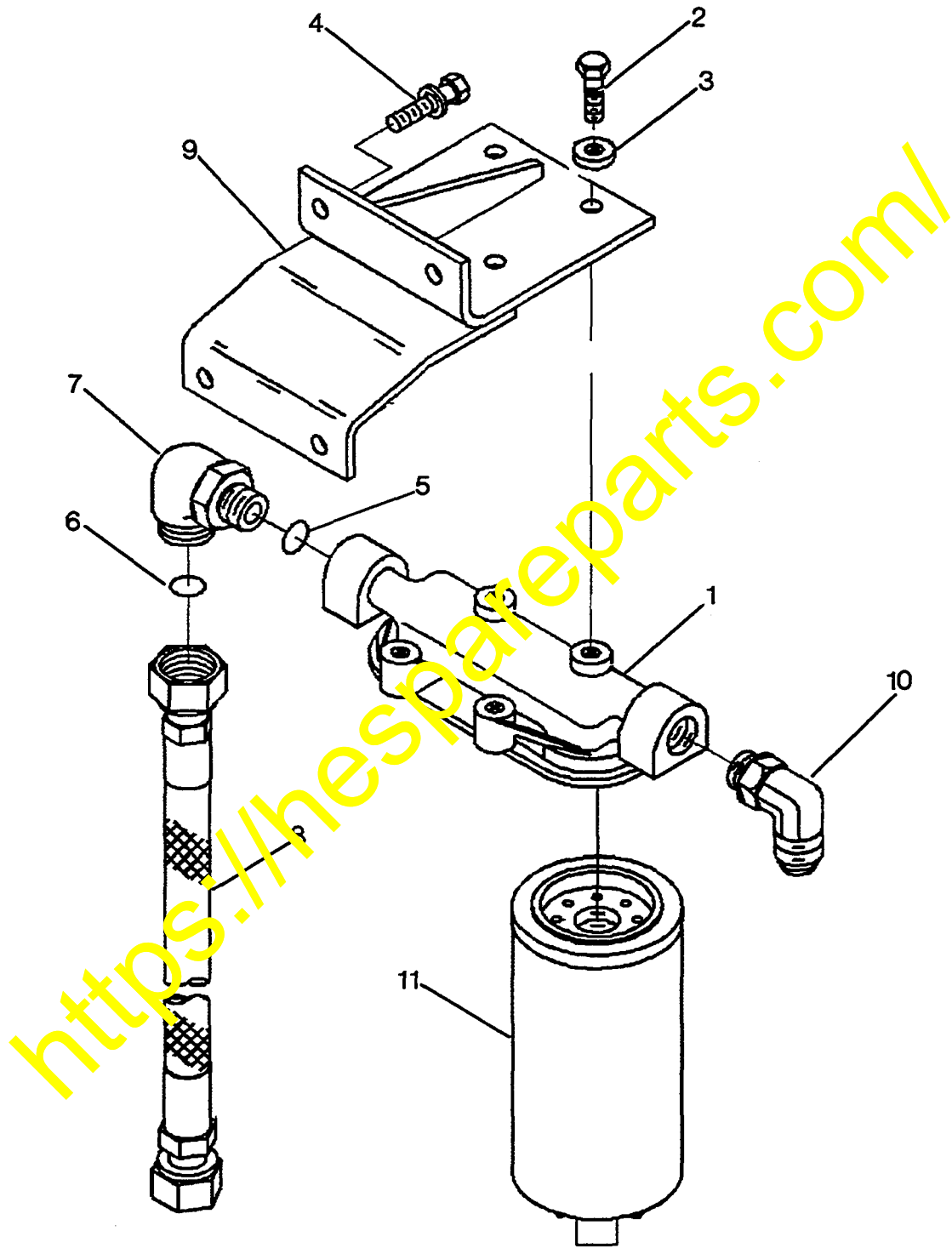
DESCRIPTION:

The new ten-micron fuel filter / water separator P/N 1310 368 H1 replaces what is in the Parts Book page E4-008; item # 11.

Following are pages with the correct information.

<https://hespareparts.com/>

FUEL FILTER



E4AI0035A

FUEL FILTER

Item	Part Number	Description	Qty.	Ref.
1	1238 853 H1	HEAD, FUEL FILTER	1	
2	1238 008 H1	BOLT (3/8 - 16x1 INCH)	4	
3	1267 715 H1	WASHER, PLAIN	4	
4	140 483 H	BOLT (3/8 - 16x1 1/4 INCH)	4	
	1307 798 H91	ELBOW, MALE UNION	1	
5	1294 110 H1	.SEAL, O RING	1	
6	1307 799 H1	.SEAL, O RING	1	
7	1307 800 H1	.ELBOW, MALE UNION	1	
8	1307 801 H1	HOSE, FLEXIBLE	1	
9	1307 802 H2	BRACKET, FILTER	1	
10	1307 803 H1	ELBOW, MALE UNION	1	
11	1310 368 H1	FILTER - FUEL FILTER w/ WATER SEPARATOR	2	F1

F1 - THE QSK19 ENGINE WILL ONLY USE THIS TEN-MICRON FUEL FILTER WITH WATER SEPARATOR P/N 1310 368 H1.

MEMORANDUM

<https://hespareparts.com/>