

PARTS & SERVICE NEWS

REF NO. AA97004

DATE October 1, 1997

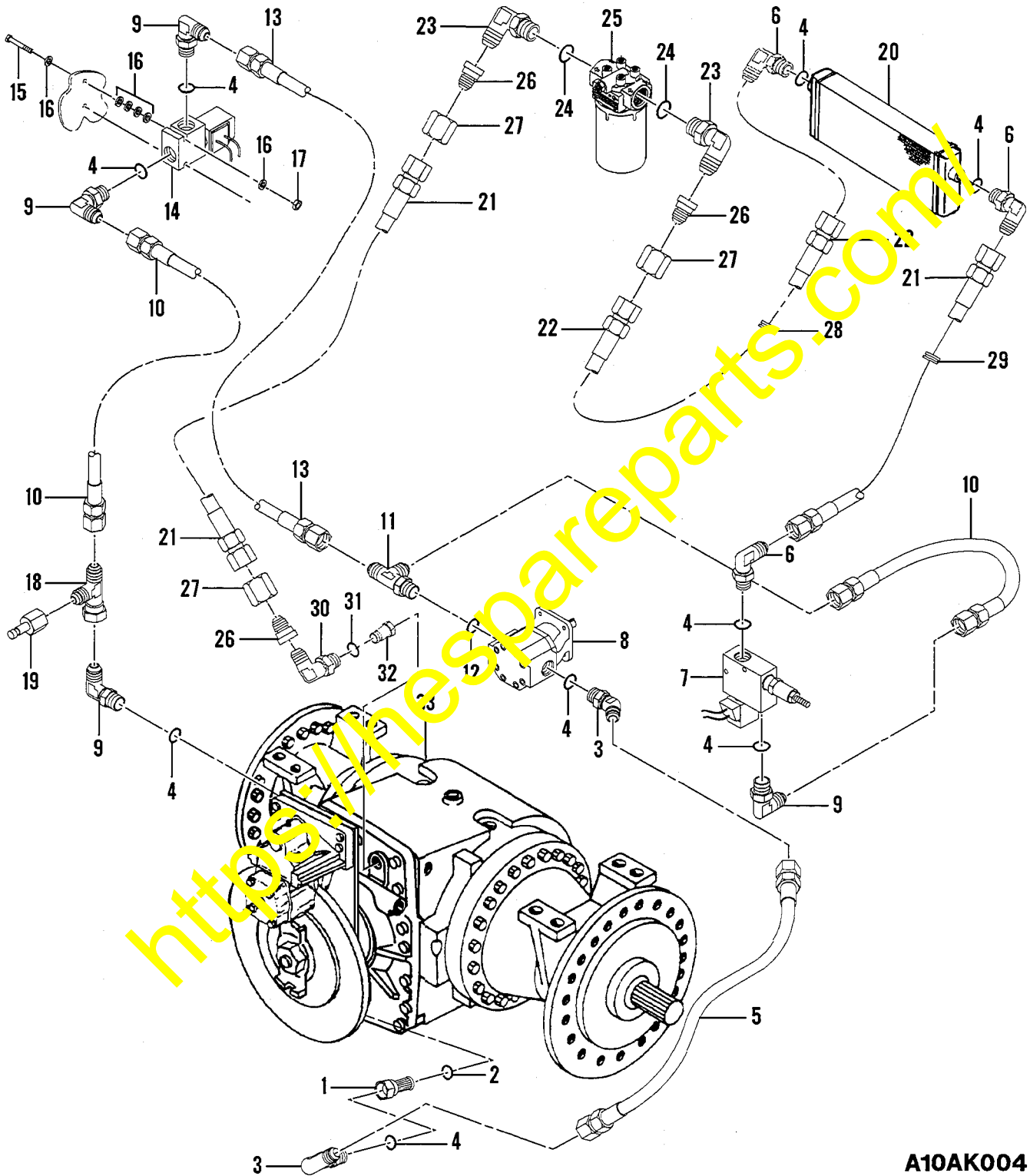
Page 1 of 13

- SUBJECT:** RELEASE REAR AXLE OIL COOLER INSTALLATION KITS
- PURPOSE:** To provide Kits and service parts list for Final Drive Oil Cooler Installations on the below listed Graders. The coolers will lower Final Drive oil temperature
- APPLICATION:** GD530A/AW Graders with S/N 200000 thru 202723
GD650A/AW Graders with S/N 200000 thru 202723
GD670A/AW Graders with S/N 200000 thru 202723
830 Graders with S/N 200000 thru 202723
850 Graders with S/N 200000 thru 202723
870 Graders with S/N 200000 thru 202723
- DESCRIPTION:** The component service parts for the Pump Mounting, Oil Cooler Lines, Differential Oil Filter and Oil Cooler Kit for units with Lock/Unlock Differential are released for service.

| Part Number | Engineering Installation Drawing | Application |
|--------------|----------------------------------|--|
| 1437 526 H91 | (DEG 20372) | Kit for Graders equipped with Lock/Unlock Differential |
| 1437 527 H91 | (DEG 20373) | Kit for "B" Engine with NoSPIN Differential |
| 1437 528 H91 | (DEG 20373) | Kit for "C" Engine with NoSPIN Differential |

For individual service part numbers of the related parts, refer to the subsequent pages of this **PARTS & SERVICE NEWS**.

LOCK/UNLOCK DIFFERENTIAL HYDRAULIC SYSTEM
OIL COOLER KIT

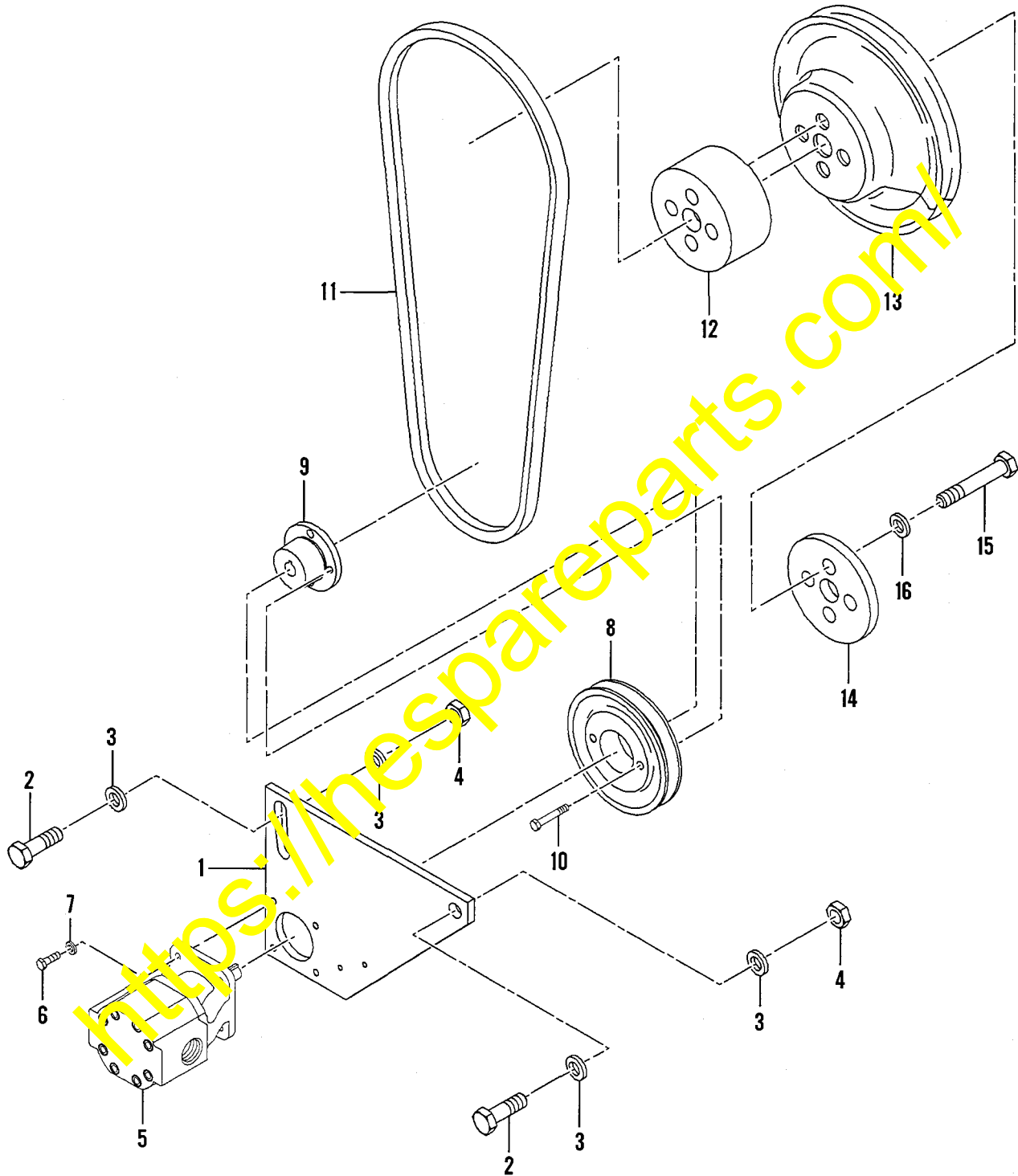


A10AK004

LOCK/UNLOCK DIFFERENTIAL HYDRAULIC SYSTEM
OIL COOLER KIT

| Item | Part Number | Description | Qty. | Ref. |
|------|--------------|--|------|------|
| | 1437 526 H91 | KIT, LOCK/UNLOCK DIFFERENTIAL OIL COOLER | 1 | |
| 3 | 391 960 R91 | .ELBOW, REDUCING - 90° | 2 | |
| 4 | 876 106 C1 | .O-RING | 4 | |
| 5 | 1436 329 H1 | .HOSE | 1 | |
| | 935 522 C1 | .STRAP, TIE - <i>SECURE HOSE TO BRAKE HOSE FITTING</i> | 1 | |
| 6 | 9410 977 | .ELBOW - 90° | 2 | |
| 8 | | .PUMP, DIFFERENTIAL HYDRAULIC (SEE PG 13) | | |
| 20 | 1436 317 H1 | .COOLER, REAR AXLE OIL | 1 | |
| | 140 483 H | .BOLT | 4 | |
| | 25 534 R1 | .WASHER, FLAT | 8 | |
| | 9413 979 | .NUT, LOCK | 4 | |
| | 1436 301 H91 | .BRACKET, OIL COOLER MOUNTING | 1 | |
| | 26 678 R1 | .BOLT | 2 | |
| | 27 326 R1 | .WASHER, FLAT | 2 | |
| 21 | 103 013 | .HOSE | 1 | F1 |
| 22 | 1430 823 H1 | .HOSE | 1 | F1 |
| 26 | 9403 405 | .REDUCER | 1 | |
| 27 | 9403 530 | .NUT, TUBE | 1 | |
| 28 | 98 272 | .GROMMET | 1 | |
| 29 | 131 395 | .GROMMET | 1 | |
| 30 | 1436 509 H91 | .ELBOW - 90° | 1 | |
| 31 | 876 108 C1 | .O-RING | 1 | |
| 32 | 1436 507 H1 | .FITTING | 1 | |
| | | F1 - PROTECT HOSES TO COOLER WITH THE FOLLOWING: | | |
| | 1431 377 H1 | .SLEEVE | 2 | |
| | 935 522 C1 | .STRAP, TIE | 2 | |

DIFFERENTIAL HYDRAULIC PUMP MOUNTING
830 & GD530A/AW



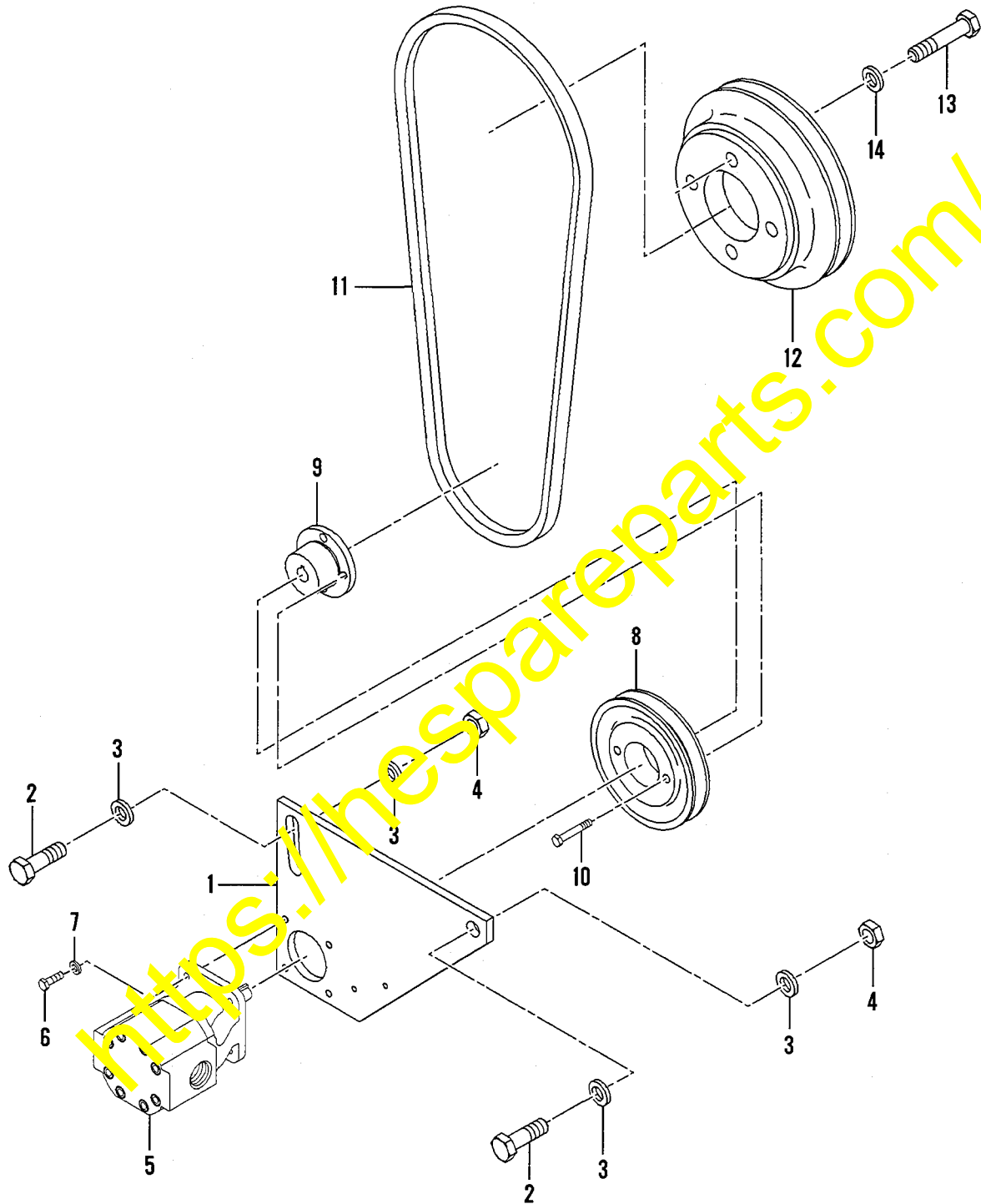
G10AR007

DIFFERENTIAL HYDRAULIC PUMP MOUNTING
830 & GD530A/AW

| Item | Part Number | Description | Qty. | Ref. |
|------|--------------|--|------|------|
| | 1437 527 H91 | KIT, REAR AXLE OIL COOLER INSTALLATION | 1 | |
| 1 | 1431 139 H3 | .BRACKET, PUMP MOUNTING | 1 | |
| 2 | 24 863 R1 | .BOLT - TIGHTEN TO 110 FT/LBS WET | 2 | |
| 3 | 25 536 R1 | .WASHER, FLAT | 4 | |
| 4 | 9412 230 R1 | .NUT, LOCK | 2 | |
| 5 | | .PUMP, DIFFERENTIAL HYDRAULIC (SEE PG 13) | | |
| 6 | 25 228 R1 | .BOLT - TIGHTEN TO 25 FT/LBS WET | 4 | |
| 7 | 120 214 | .WASHER, LOCK | 4 | |
| 8 | 1431 324 H1 | .PULLEY, PUMP. | 1 | |
| 9 | 1431 140 H1 | .BUSHING, PUMP PULLEY | 1 | |
| 10 | 25 485 R1 | .BOLT - TIGHTEN TO 15 FT/LBS WET | 2 | |
| 11 | 88 844 | .V-BELT | 1 | |
| 12 | 1431 180 H2 | .SPACER, PULLEY | 1 | |
| 13 | 1240 664 H1 | .PULLEY | 1 | |
| 14 | 1431 323 H1 | .PLATE, CLAMPING | 1 | |
| 15 | 1431 814 H1 | .BOLT - TIGHTEN TO 90 FT/LBS WET | 4 | |
| 16 | 30 177 R1 | .WASHER, FLAT | 4 | |

<https://thespareparts.com/>

DIFFERENTIAL HYDRAULIC PUMP MOUNTING
850, 870, GD650A/AW & GD670A/AW

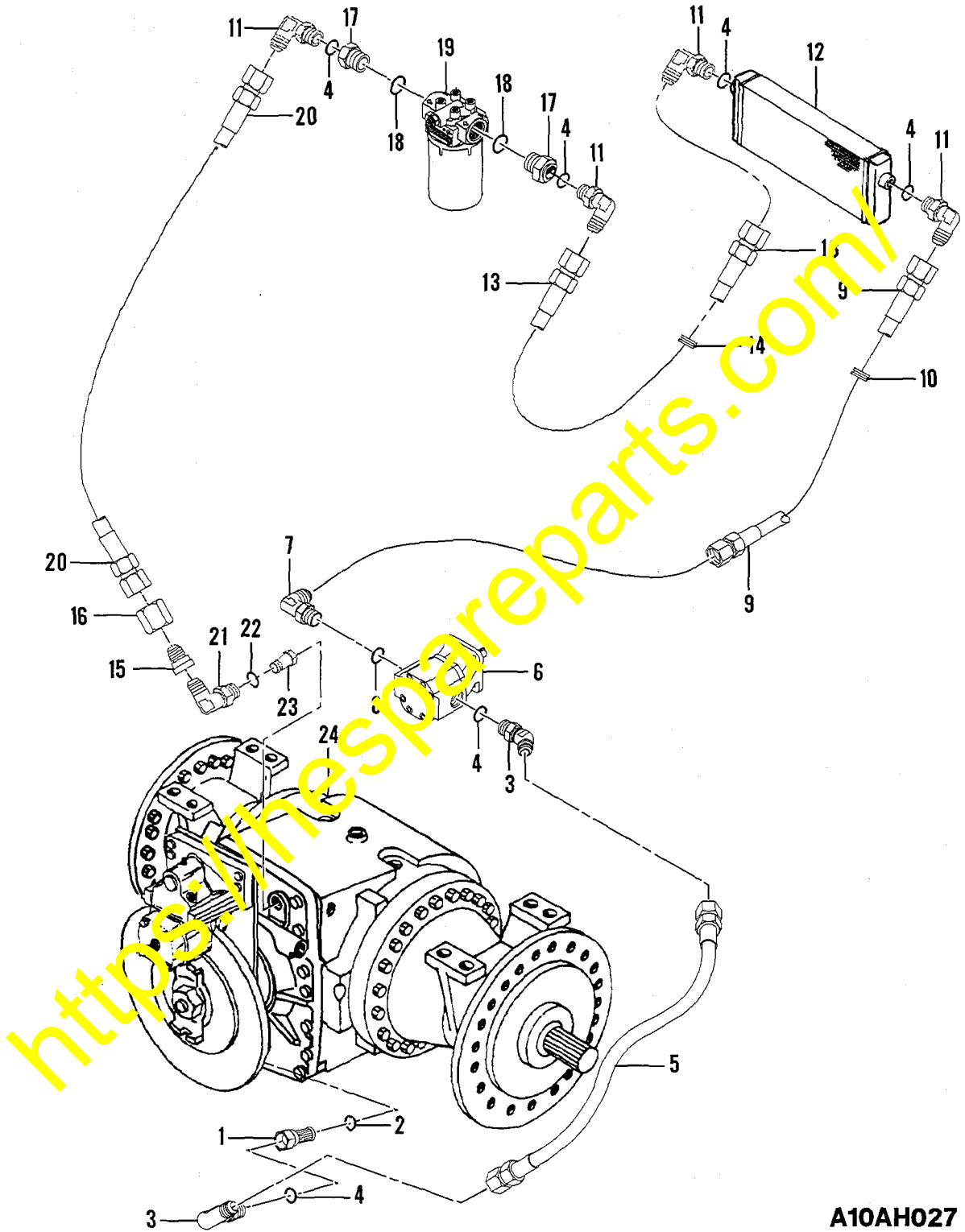


G10AR005

DIFFERENTIAL HYDRAULIC PUMP MOUNTING
850, 870, GD650A/AW & GD670A/AW

| Item | Part Number | Description | Qty. | Ref. |
|------|--------------|--|------|------|
| | 1437 528 H91 | KIT, REAR AXLE OIL COOLER INSTALLATION | 1 | |
| 1 | 1431 139 H3 | .BRACKET, PUMP MOUNTING | 1 | |
| 2 | 24 863 R1 | .BOLT - TIGHTEN TO 110 FT/LBS WET | 2 | |
| 3 | 25 536 R1 | .WASHER, FLAT | 4 | |
| 4 | 9412 230 R1 | .NUT, LOCK | 2 | |
| 5 | | .PUMP, DIFFERENTIAL HYDRAULIC (SEE PG 13) | | |
| 6 | 25 228 R1 | .BOLT - TIGHTEN TO 25 FT/LBS WET | 4 | |
| 7 | 120 214 | .WASHER, LOCK | 4 | |
| 8 | 1431 141 H1 | .PULLEY, PUMP. | 1 | |
| 9 | 1431 140 H1 | .BUSHING, PUMP PULLEY | 1 | |
| 10 | 25 485 R1 | .BOLT - TIGHTEN TO 15 FT/LBS WET | 2 | |
| 11 | 112 237 | .V-BELT | 1 | |
| 12 | 1431 143 H1 | .PULLEY | 1 | |
| 13 | 30 046 R1 | .BOLT - TIGHTEN TO 90 FT/LBS WET | 4 | |
| 14 | 30 177 R1 | .WASHER, FLAT | 4 | |

DIFFERENTIAL OIL COOLER LINES
NoSPIN DIFFERENTIAL

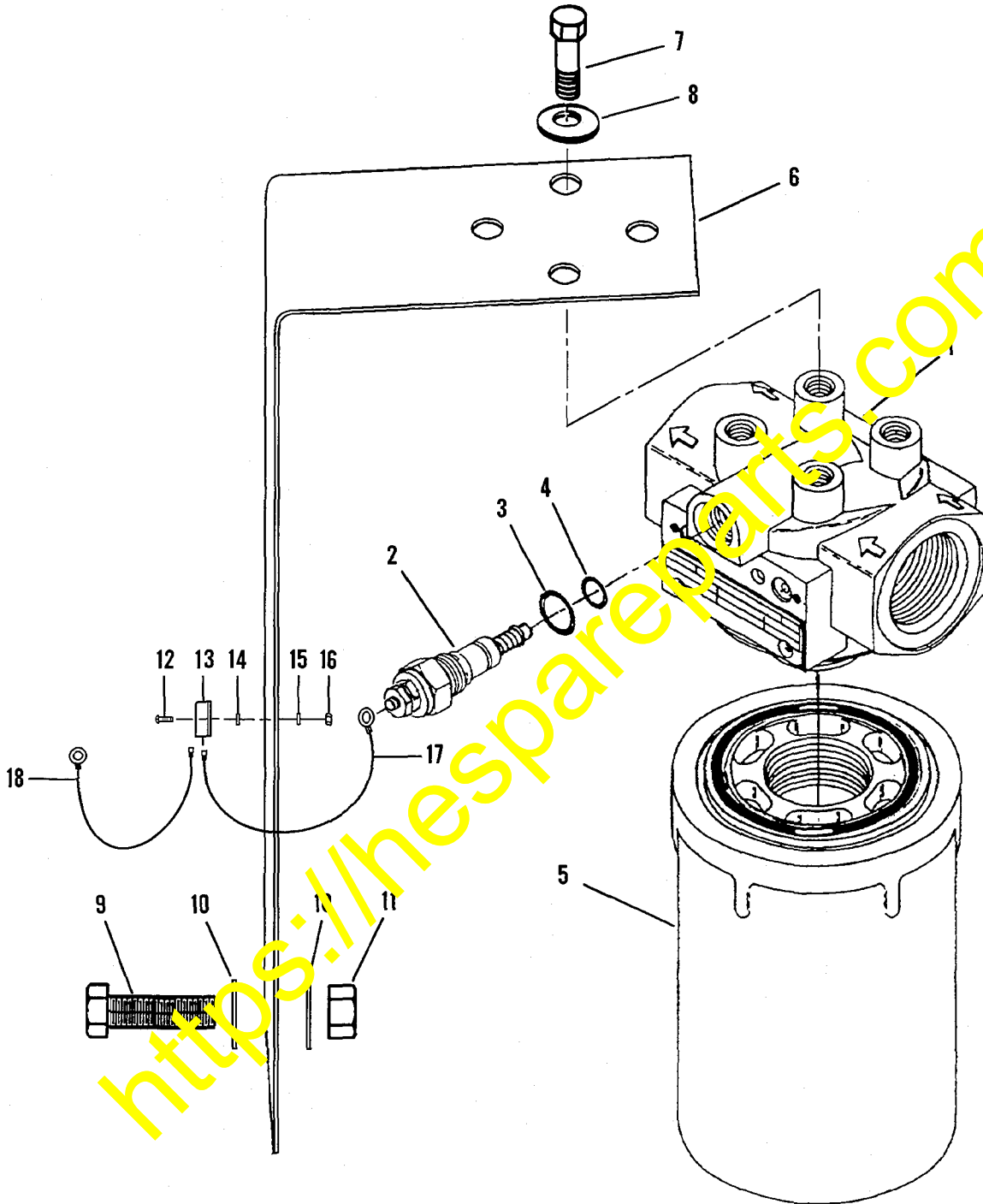


A10AH027

DIFFERENTIAL OIL COOLER LINES
NoSPIN DIFFERENTIAL

| Item | Part Number | Description | Qty. | Ref. |
|------|--------------|--|------|------|
| | | COOLER INSTALLATION, REAR AXLE OIL | | RF |
| 1 | 1430 868 H2 | .STRAINER | 1 | |
| 2 | 876 108 C1 | .O-RING | 1 | |
| 3 | 391 960 R91 | .ELBOW, REDUCING - 90° | 2 | |
| 4 | 876 106 C1 | .O-RING | 6 | |
| 5 | 1436 326 H1 | .HOSE | 2 | |
| | 935 522 C1 | .STRAP, TIE - <i>SECURE HOSE TO BRAKE HOSE FITTING</i> | 1 | |
| 6 | | .PUMP, DIFFERENTIAL HYDRAULIC (SEE PG 13) | | |
| 7 | 615 667 C1 | .ELBOW - 90° | 1 | |
| 8 | 882 779 C1 | .O-RING | 1 | |
| 9 | 1430 824 H1 | .HOSE | 1 | F1 |
| | 299 413 C1 | .CLAMP - <i>HOSE TO ENGINE SUPPORT</i> | 1 | |
| 10 | 131 395 | .GROMMET | 1 | |
| 11 | 9410 977 | .ELBOW - 90° | 4 | |
| 12 | 1436 317 H1 | .COOLER, REAR AXLE OIL | 1 | |
| | 140 483 H | .BOLT | 4 | |
| | 25 534 R1 | .WASHER, FLAT | 8 | |
| | 9413 979 | .NUT, LOCK | 4 | |
| | 1436 301 H91 | .BRACKET, OIL COOLER MOUNTING | 1 | |
| | 26 678 R1 | .BOLT | 2 | |
| | 27 326 R1 | .WASHER, FLAT | 2 | |
| 13 | 1430 823 H1 | .HOSE | 1 | F1 |
| 14 | 98 272 | .GROMMET | 1 | |
| 15 | 9403 405 | .REDUCER | 1 | |
| 16 | 9403 530 | .NUT, TUBE | 1 | |
| 17 | 1437 284 H1 | .REDUCER | 2 | |
| 18 | 876 110 C1 | .O-RING | 1 | |
| 19 | | .FILTER, DIFFERENTIAL OIL (SEE PG 11) | | |
| 20 | 103 015 | .HOSE | 1 | |
| 21 | 1436 509 H91 | .ELBOW - 90° | 1 | |
| 22 | 876 108 C1 | .O-RING | 1 | |
| 23 | 1436 507 H1 | .FITTING | 1 | |
| 24 | | AXLE, REAR | | RF |
| | | F1 - PROTECT HOSES TO COOLER WITH THE FOLLOWING: | | |
| | 1431 377 H1 | .SLEEVE | 2 | |
| | 935 522 C1 | .STRAP, TIE | 2 | |

DIFFERENTIAL OIL FILTER



<https://thespareparts.com/>

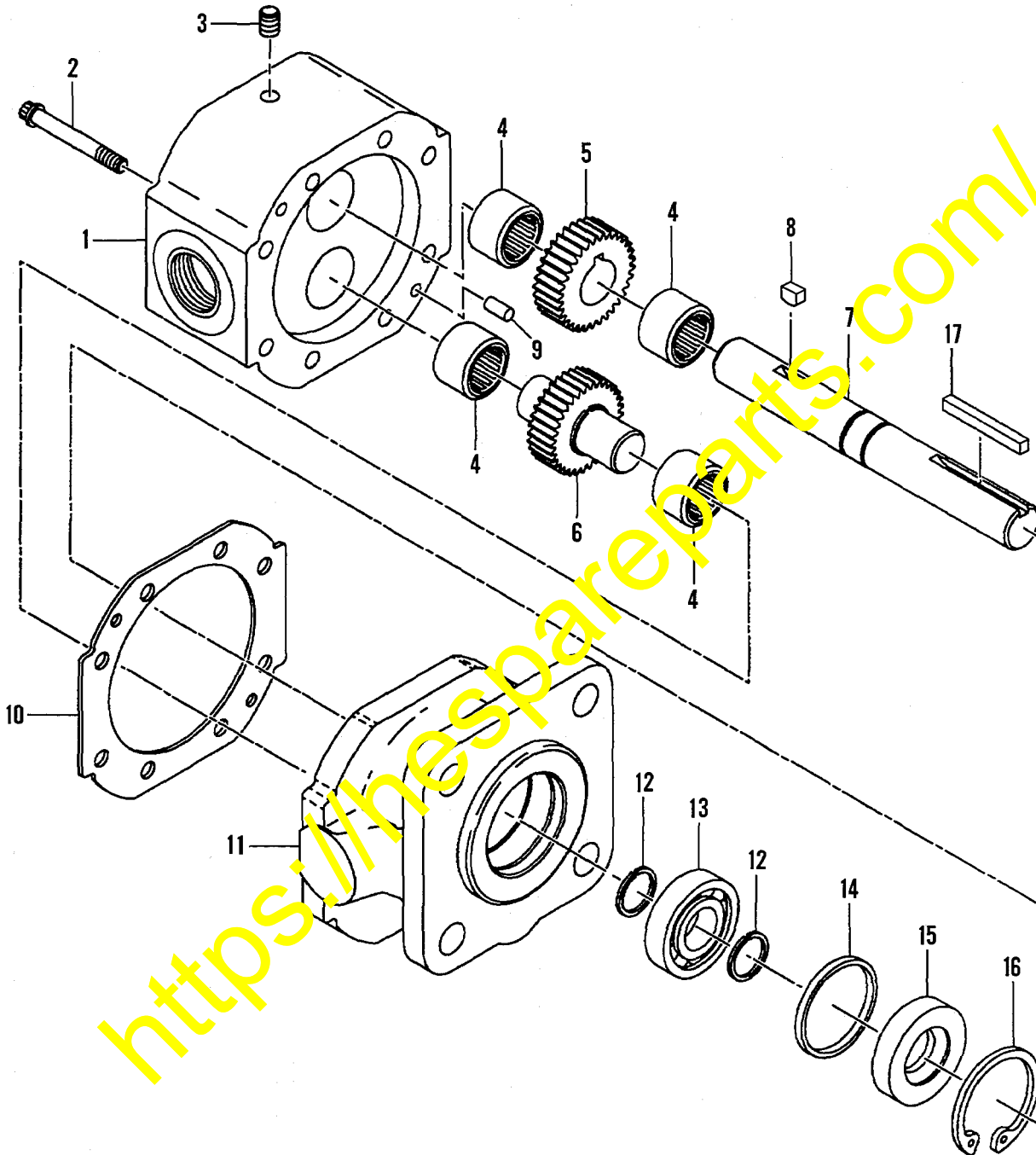
G07BM002

DIFFERENTIAL OIL FILTER

| Item | Part Number | Description | Qty. | Ref. |
|------|--------------|---|------|------|
| | 1266 752 H91 | FILTER, DIFFERENTIAL OIL | 1 | |
| 1 | NSS | .HEAD, FILTER | 1 | |
| 2 | 1267 903 H91 | .INDICATOR ASSEMBLY | 1 | |
| 3 | 364 839 R1 | ..O-RING | 1 | |
| 4 | 359 158 R1 | ..O-RING | 1 | |
| 5 | 1266 751 H2 | .ELEMENT, DIFFERENTIAL OIL FILTER | 1 | |
| 6 | 1279 098 H3 | BRACKET, FILTER MOUNTING | 1 | |
| 7 | 24 839 R1 | BOLT | 4 | |
| 8 | 120 382 | WASHER, LOCK | 4 | |
| 9 | 140 483 H | BOLT | 2 | |
| 10 | 25 534 R1 | WASHER, FLAT | 4 | |
| 11 | 25 522 R1 | NUT, HEX | 2 | |
| 12 | 159 358 | SCREW, MACHINE | 2 | |
| 13 | 1436 525 H1 | FLASHER | 1 | |
| 14 | 131 014 | WASHER, FLAT | 2 | |
| 15 | 131 044 | WASHER, LOCK | 2 | |
| 16 | 134 530 | NUT, HEX | 2 | |
| 17 | 1436 531 H1 | WIRE | 1 | |
| 18 | 1436 530 H1 | WIRE TO TRANSMISSION OIL FILTER | 1 | |
| | 2643 514 R1 | CONDUIT - 48" | 1 | F1 |

F1 - CUT TO LENGTH FROM 2643 514 R1 BULK CONDUIT

DIFFERENTIAL HYDRAULIC PUMP



G10AV012

DIFFERENTIAL HYDRAULIC PUMP

| Item | Part Number | Description | Qty. | Ref. |
|------|--------------|--|------|------|
| | 1436 314 H91 | PUMP, DIFFERENTIAL HYDRAULIC | 1 | |
| 1 | NSS | .HOUSING, REAR | 1 | |
| 2 | 79 113 | .BOLT - .25-20 X 1.5" 12-PT FLANGED HEAD | 8 | |
| 3 | 1433 232 H1 | .PLUG - .188" D | 1 | |
| 4 | 1433 235 H1 | .BEARING, NEEDLE - .5" ID, .687" OD | 4 | |
| 5 | 1437 480 H1 | .GEAR, DRIVE | 1 | |
| 6 | NS | .SHAFT ASSEMBLY, IDLER | 1 | |
| | 1437 239 H1 | ..SHAFT, IDLER | 1 | |
| | 1437 480 H1 | ..GEAR, IDLER | 1 | |
| | 1236 267 H1 | ..PIN, DRIVE | 1 | |
| | 235 529 R1 | ..RING, RETAINING | 1 | |
| 7 | 1437 481 H1 | .SHAFT, DRIVE | 1 | |
| 8 | 124 543 | .KEY, WOODRUFF - .12" W, .60" D, .50" L | 1 | |
| 9 | 1433 237 H1 | .PIN, SHEAR - .219" D X .3" L | 2 | |
| 10 | 1433 234 H1 | .GASKET | 1 | |
| | 1433 693 H1 | .GASKET | 1 | |
| | 1433 695 H1 | .GASKET | 1 | |
| 11 | NSS | .HOUSING, FRONT | 1 | |
| 12 | 235 529 R1 | .RING, RETAINING - EXT .5" D | 2 | |
| 13 | 1433 240 H1 | .BEARING, BALL - .5" ID, 1.12" OD | 1 | |
| 14 | 1433 239 H1 | .SPACER - .088" W, 1.03" ID, 1.12" OD | 1 | |
| 15 | 1435 676 H1 | .SEAL, OIL - .5" ID, 1.12" D, .25" W | 1 | |
| 16 | 338 835 R1 | .RING, RETAINING - INT 1.12" D | 1 | |
| 17 | 1433 238 H1 | .KEY - .125" X 1" L | 1 | |

<https://hespareparts.com/>