

PARTS & SERVICE NEWS

REF NO. AA97019

DATE May 27, 1997

Page 1 of 4

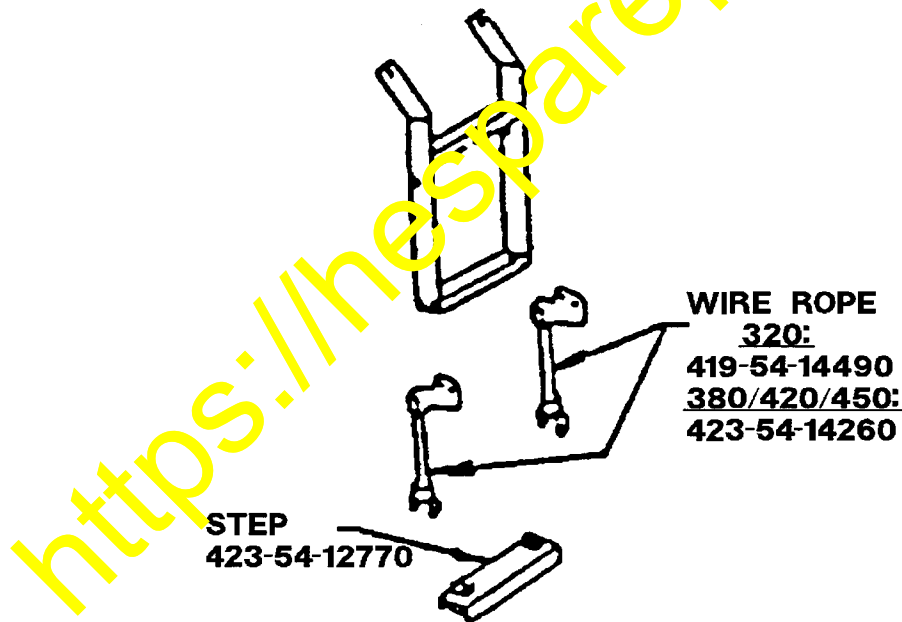
SUBJECT: FLEXIBLE MOUNTED LADDER STEPS

PURPOSE: To provide the parts information for the flexible ladder steps.

APPLICATION: WA320-1LC Wheel Loaders Serial Number A25001 and up
532 Wheel Loaders Serial Number 2001 and up
WA380-1LC Wheel Loaders Serial Number A45001 and up
538 Wheel Loaders Serial Number 3001 and up
WA420-1LC Wheel Loaders Serial Number A25001 and up
542 Wheel Loaders Serial Number 4001 and up
WA450-2 Wheel Loaders Serial Number A25001 and up
545 Wheel Loaders Serial Number 5001 and up

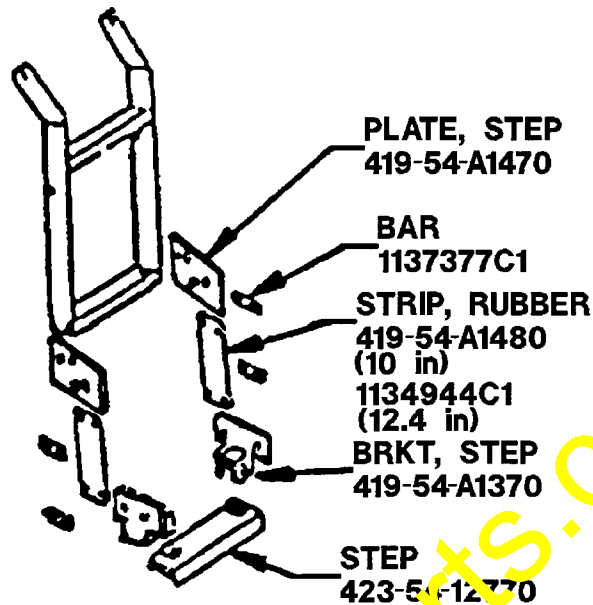
DESCRIPTION: To provide the parts information for the flexible mounted ladder step.

Original design:



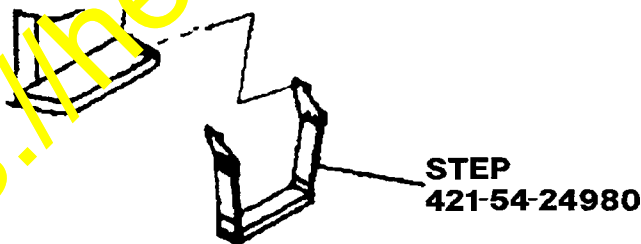
The wire rope and step are serviceable, or the whole flexible step may be replaced with the latest design by ordering 421-54-24980.

Intermediate design:



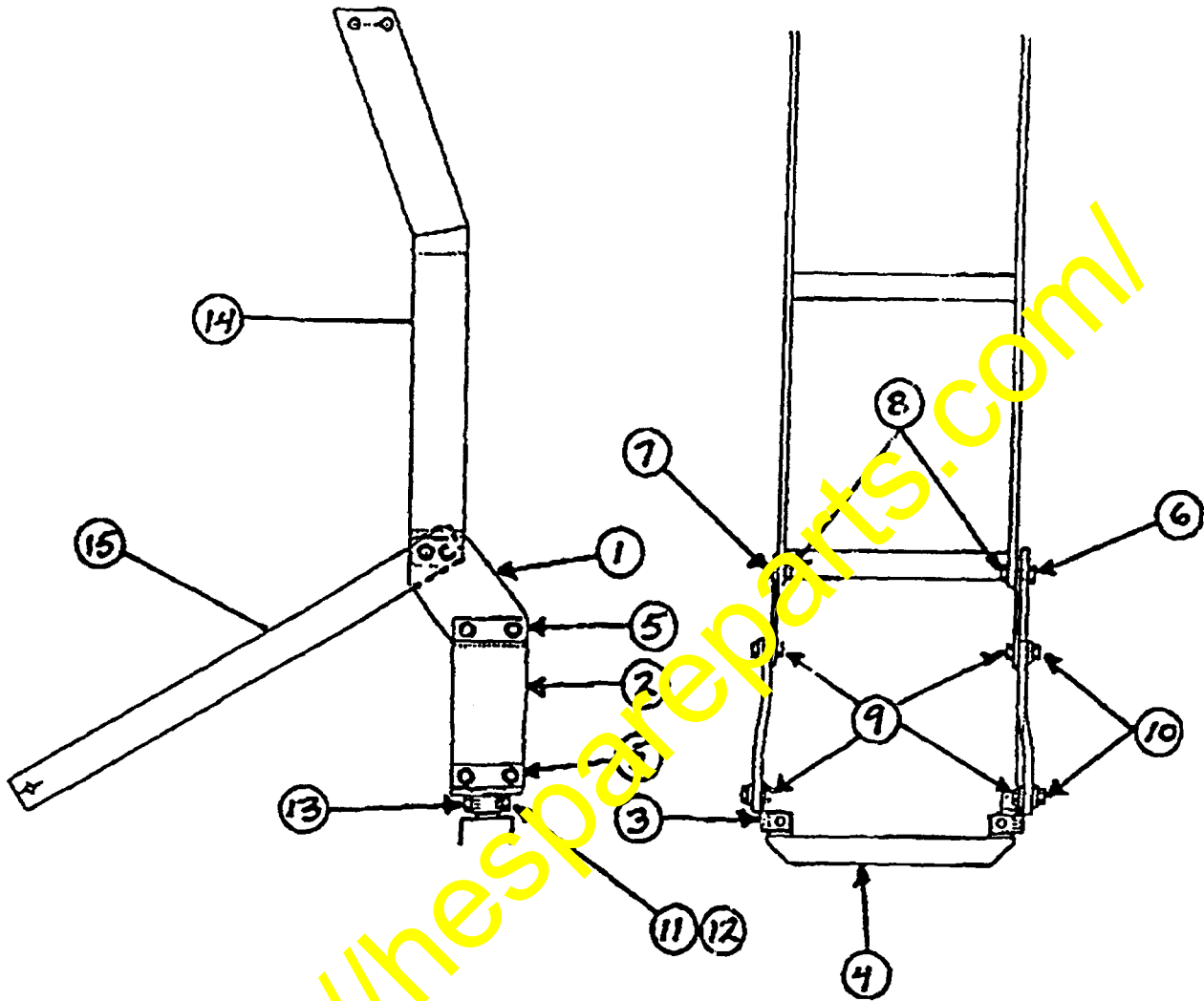
Intermediate design parts are still available for service. See pages 3 and 4 for the complete parts breakdown. Initially the design had rubber strips that were 12.4 inches in length. The design was changed to 10 inches to reduce the lateral deflection of the step. The correct length needs to be ordered for both stripes (if 12.4 inch) could be updated to the newer 10 inch length. The complete flexible step may be replaced by the latest design, 421-54-24980.

Latest design:



The latest design is a one piece flexible step. It can be used to replace all of the original or intermediate design.

FLOOR AND LADDER
(WITH CAB)



FLOOR AND LADDER
(WITH CAB)

Item	Part Number	Description	Qty.	Ref.
1	419-54-A1470	PLATE	2	
2	419-54-A1480	RUBBER STRIP - 10 inches	2	
	1134 944 C1	RUBBER STRIP - 12.4 inches	2	
3	419-54-A1370	PLATE	2	
4	423-54-12770	STEP	1	
5	1137 377 C1	BAR	1	
6	01010-51240	BOLT	2	
7	01010-51230	BOLT	2	
8	426-43-19150	NUT, LOCK	4	
9	01010-51235	BOLT	8	
10	426-43-19150	NUT, LOCK	8	
11	01010-51265	BOLT	2	
12	01643-31232	WASHER	2	
13	426-43-19150	NUT, LOCK	2	
14	423-54-12271	LADDER	1	
15	423-54-12132	SUPPORT - LH	1	
16	423-54-12860	SUPPORT - RH	1	

<https://hespareparts.com/>