

PARTS & SERVICE NEWS

REF NO.	AA97025A
DATE	August 1, 1997

Page 1 of 2

SUBJECT: GUARD RAIL STRUCTURES

PURPOSE: ANNOUNCE NEW GUARD RAIL STRUCTURES FOR CENTER DECK & L.H. SIDE OF CAB

APPLICATION: 210M (BFA40) HAULPAK TRUCKS
ALL S/N's PRIOR TO CF24568-BFA40

DESCRIPTION: Parts and Service News AA97025 is being revised to announce a change in the information for the LH walkway guard. New Information is marked with: ■

Introduction:

New guard rail structures have been designed for the 210M (BFA40) Haulpak Trucks in two areas (refer to Figure 1, page 2). These areas have not previously been covered by guard rails.

Customers with 210M (BFA40) Haulpak Trucks (Serial Nos. PRIOR TO CF24568 BFA- 40) may wish to add these items to their trucks.

Welding of new tapped pads to the center cowl and L.H. walkway will be required.

Refer to Installation Drawings EG7315 / EG3618 for these instructions.

PARTS REQUIRED:

A. L.H. Walkway Guard (Behind door)		
Quantity	Part No.	Description
3	TY8800	Tapped Pad
6	VC1387	C/S 1/2" 13 UNC x 1"
6	TR5445	L/W 1/2"
1	EG3625	Guard Str.
1	W3131	Chain
Ref.	EG7315	Inst. Drawing (Welding)

B. Center Deck/Radiator Cowl Guard		
Quantity	Part No.	Description
3	TY8800	Tapped Pad
6	VC1387	C/S 1/2" 13 UNC x 1"
6	TR5445	L/W 1/2"
1	EG3625	Guard Str.
Ref.	EG3618	Inst. Drawing (Welding)

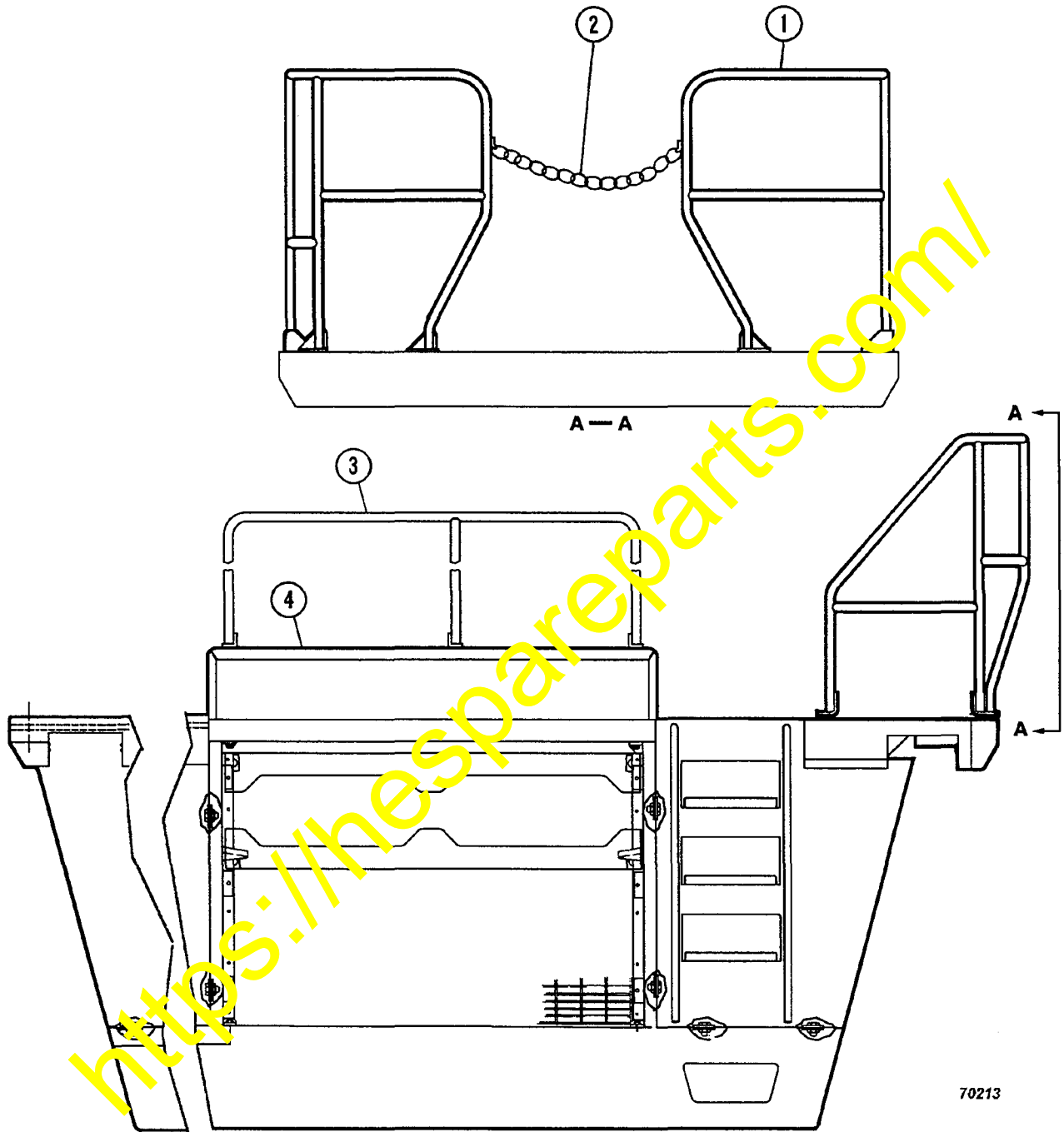


FIGURE 1. 210M DECK & HANDRAIL INSTALLATION

- 1. EG7316 Guard Str.
- 2. TW3131 Chain
- 3. EG3625 Guard Str.
- 4. Top of Radiator Cowl