

# PARTS & SERVICE NEWS

REF NO.	AA97036
DATE	March 24, 1997

Page 1 of 2

**SUBJECT:** STEERING CONSOLE SHIMS

**PURPOSE:** To eliminate console side movement

**APPLICATION:** GD530A Motor Graders S/N 202002 thru 202531  
 GD/530AW Motor Graders S/N 202002 thru 202531  
 GD650A Motor Graders S/N 202002 thru 202531  
 GD650AW Motor Graders S/N 202002 thru 202531  
 GD670A Motor Graders S/N 202002 thru 202531  
 GD670AW Motor Graders S/N 202002 thru 202531  
 830 Motor Graders S/N 100000 thru 202431  
 850 Motor Graders S/N 100000 thru 202431  
 870 Motor Graders S/N 100000 thru 202531

**DESCRIPTION:**

**Introduction:**

This **PARTS & SERVICE NEWS** releases 1438357H91 Console Shim Kit to eliminate play between the console lower mount and console channels which can cause a noise when racking. The kit contains:

Part Number	Quantity	Description
1281807H2	2	Shaft, Pivot
192450	4	Set Screw
1253026H2	8	Shims, Nylon
183120	4	Bolt
25724R1	4	Washer, Flat

## ADDING SHIMS TO STEERING CONSOLE

1. Decide where shims (1) will be placed by sliding into gaps at pivot shafts between steering console channels (2) and console lower mount (3).
2. With steering console in full forward position, remove console cover (4) to gain access to set screws (5) for front pivot shaft. To remove front set screws (5), a 5/32 inch straight allen wrench with an 18-20 inch extension will be needed to reach between the lower mount plate and console channel.
3. Remove set screws (5 & 6) and slide the old pivot shaft (7) out by using the new 1281807H2 pivot shaft as a push rod.
4. Insert shims (1) as the new pivot shaft (7) passes between console lower mount (3) and console channel (2).
5. Install 180120 bolts (8) and 25724R1 washers (9) into ends of pivot shaft (7).
6. Insert new 192150 set screws (5 & 6).
7. Reinstall console cover (4).

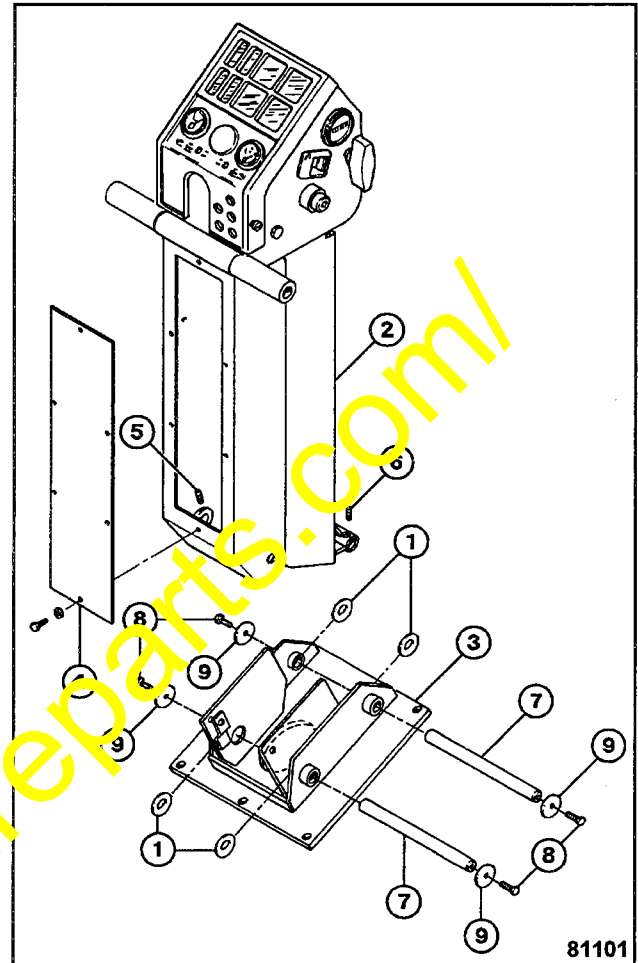


Figure 1