

PARTS & SERVICE NEWS

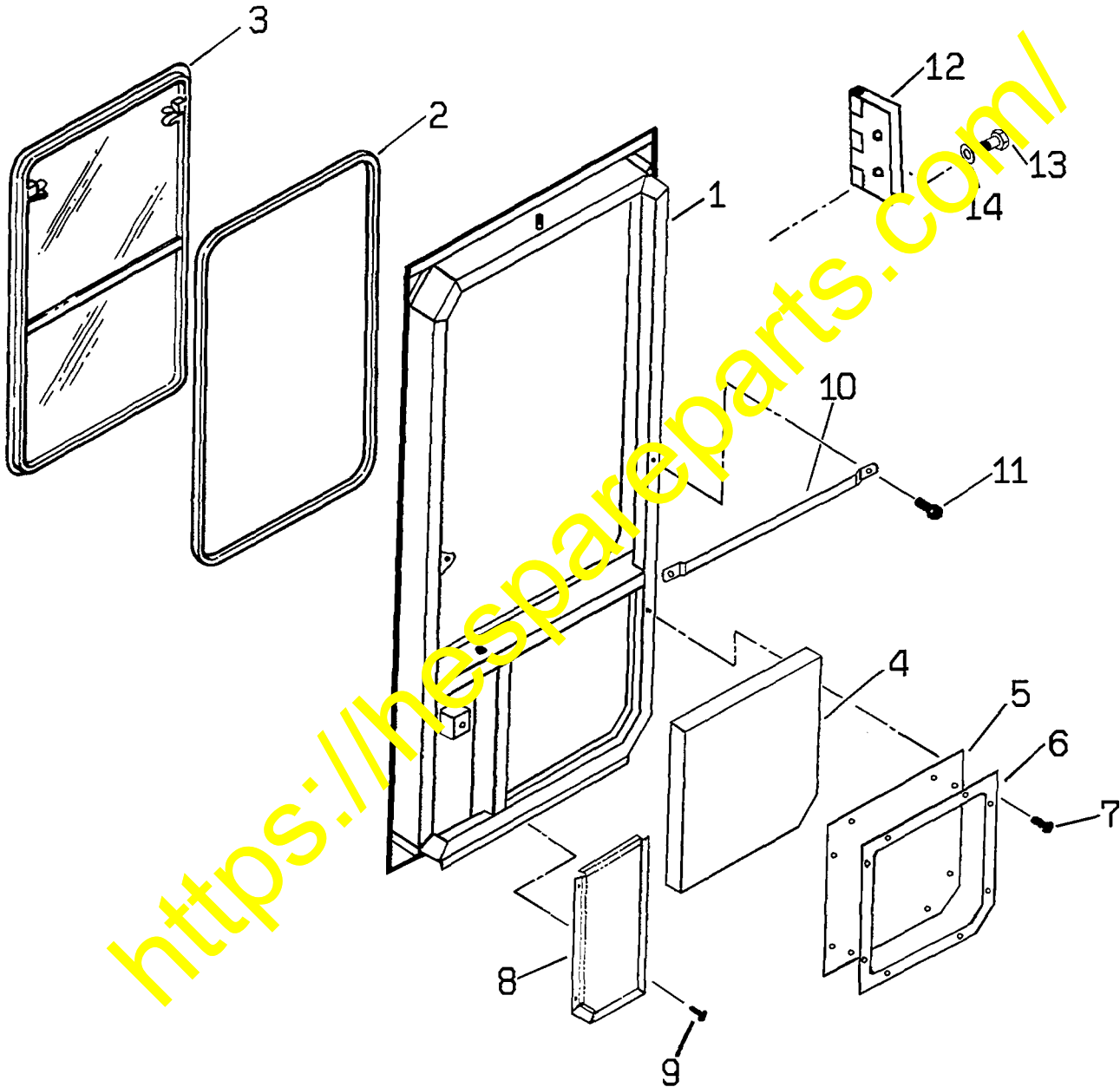
REF NO.	AA97055
DATE	March 17, 1998

Page 1 of 7

- SUBJECT:** REAR HINGED CAB DOORS WITH UPDATED DOOR HOLD OPEN DEVICE AND LATCHES
- PURPOSE:** To provide the service parts for the rear hinged cab doors, updated door hold open device and updated latches.
- APPLICATION:** WA380-3L Wheel Loader - Serial Number A50001 and up
WA420-3L Wheel Loader - Serial Number A30001 and up
WA450-3L Wheel Loader - Serial Number A30001 and up
- FAILURE CODE:** 552099
- DESCRIPTION:** This **Parts and Service News** shows the parts used on the rear hinged style cab doors, updated door hold open device and updated latches.
- Machines with *cab serial number 61977 and down* may have the old design of door latch. It can be upgraded to the improved design.
- Machines with *cab serial number 62039 and down* may have the old design of door hold open device. It can be upgraded to the improved design.

<https://hespartsparts.com/>

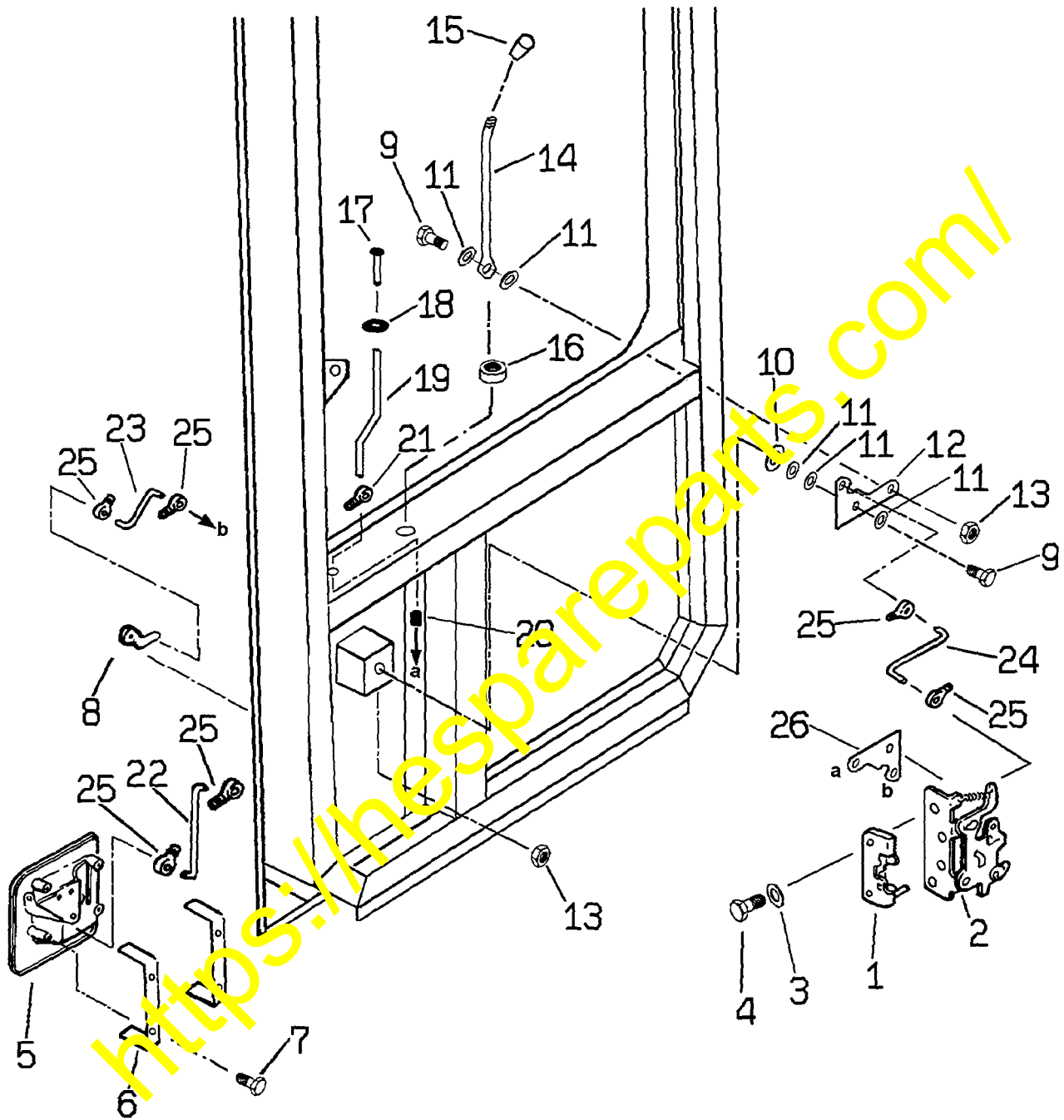
ROPS CAB
ENTRY DOOR - LH & RH



ROPS CAB
ENTRY DOOR - LH & RH

Item	Part Number	Description	Qty.	Ref.
	(423-926-A730)	DOOR ASSY, LH	1	
	(423-926-A740)	DOOR ASSY, RH	1	
1	423-926-A750	DOOR WELDMENT, LH	1	
	423-926-A760	DOOR WELDMENT, RH	1	
2	423-926-A630	SEAL	2	
3	423-926-A520	WINDOW, SLIDING	2	
4	423-926-A770	FOAM, DOOR PAD	2	
5	423-926-A780	PAD, DOOR LH	1	
	423-926-A790	PAD, DOOR RH	1	
6	423-926-A720	RETAINER, INSULATION	2	
7	27 017 R1	SCREW, SELF TAPPING	16	
8	423-926-A810	COVER, LH	1	
	423-926-A820	COVER, RH	1	
9	27 017 R1	SCREW, SELF TAPPING	8	
10	423-56-21350	GRIP	2	
11	01435-01025	BOLT, FLANGED	4	
12	423-926-A910	HINGE WELD'T - LH	2	
	423-926-A920	HINGE WELD'T - RH	2	
13	423-926-A280	BOLT	8	
14	01643-30823	WASHER	8	

ROPS CAB
DOOR LATCHES

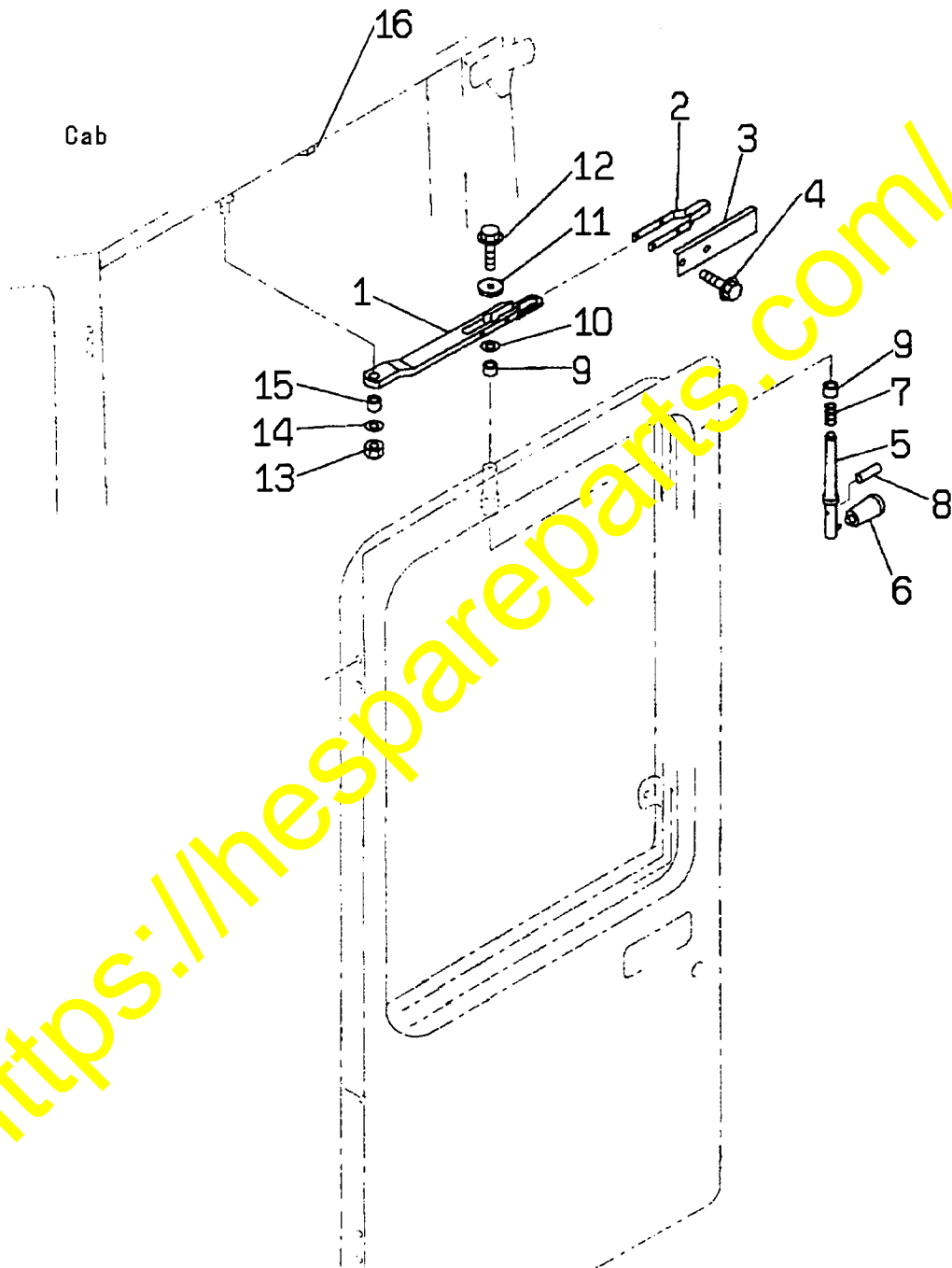


L13CM024

ROPS CAB
DOOR LATCHES

Item	Part Number	Description	Qty.	Ref.
1	423-926-A580	LATCH ASSY, 2 ROTOR - LH	1	
	423-926-A610	LATCH ASSY, 2 ROTOR - RH	1	
2	423-926-A560	LINKAGE ASSY, LH	1	
	423-926-A550	LINKAGE ASSY, RH	1	
3	120 392	WASHER	2	
4	180 024	BOLT	8	
5	423-926-A620	HANDLE ASSY, PADDLE - LH	1	
	423-926-A600	HANDLE ASSY, PADDLE - RH	1	
6	417-926-AS30	HANDLE MTG, PADDLE	4	
7	423-926-A530	SCREW	8	
8	427-56-11790	LOCK ASSY	2	
9	01010-30616	BOLT	4	
10	423-926-A840	WASHER, NYLON	2	
11	1234 781 H1	WASHER, NYLON	6	
12	423-926-A850	PLATE, DOOR LATCH	2	
13	01598-00608	NUT, NYLON LOCKING	4	
14	423-926-A860	ROD, DOOR LATCH	2	
15	417-926-AJ40	KNOB	2	
16	423-926-A540	GROMMET	2	
17	423-926-A870	KNOB, DOOR LOCK	2	
18	423-926-A880	GROMMET	2	
19	423-926-A970	ROD - LH	1	
	423-926-A940	ROD - RH	1	
20	417-926-AJ70	GROMMET	2	
21	423-926-A960	CLIP, ROD	2	
22	423-926-A890	ROD	2	
23	423-926-A970	ROD	2	
24	423-926-A390	ROD	2	
25	423-926-A570	CLIP, ROD	12	
26	423-926-A960	PLATE	2	

ROPS CAB
DOOR HOLD-OPEN DEVICE



ROPS CAB
DOOR HOLD-OPEN DEVICE

Item	Part Number	Description	Qty.	Ref.
1	423-926-A201	GUIDE	2	
2	423-56-21750	SPRING	1	
3	423-56-21760	COVER, L.H.	1	
	423-56-21770	COVER, R.H.	1	
4	01435-00610	BOLT	2	
5	423-56-21730	ROD	2	
6	423-56-21740	KNOB	2	
7	421-56-11640	SPRING	2	
8	421-56-11840	PIN	2	
9	421-56-11652	BUSHING	4	
10	423-926-A840	WASHER, FLAT NYLON	10	
11	423-56-21780	PLATE	2	
12	01435-00616	BOLT	2	
13	01598-01011	NUT	4	
14	421-62-14740	WASHER	2	
15	421-56-11652	BUSHING	2	
16	423-56-21710	CUSHION, RUBBER	2	

<https://thespareparts.com/>

<https://hespareparts.com/>