

PARTS & SERVICE NEWS

REF NO.	AA97094A
DATE	March 5, 1998

Page 1 of 11

This Parts & Service News supercedes AA97094 dated June 12, 1997 which should be discarded.

SUBJECT: STARTER MOTOR AND ALTERNATOR

PURPOSE: RELEASE COMPONENTS FOR SERVICE

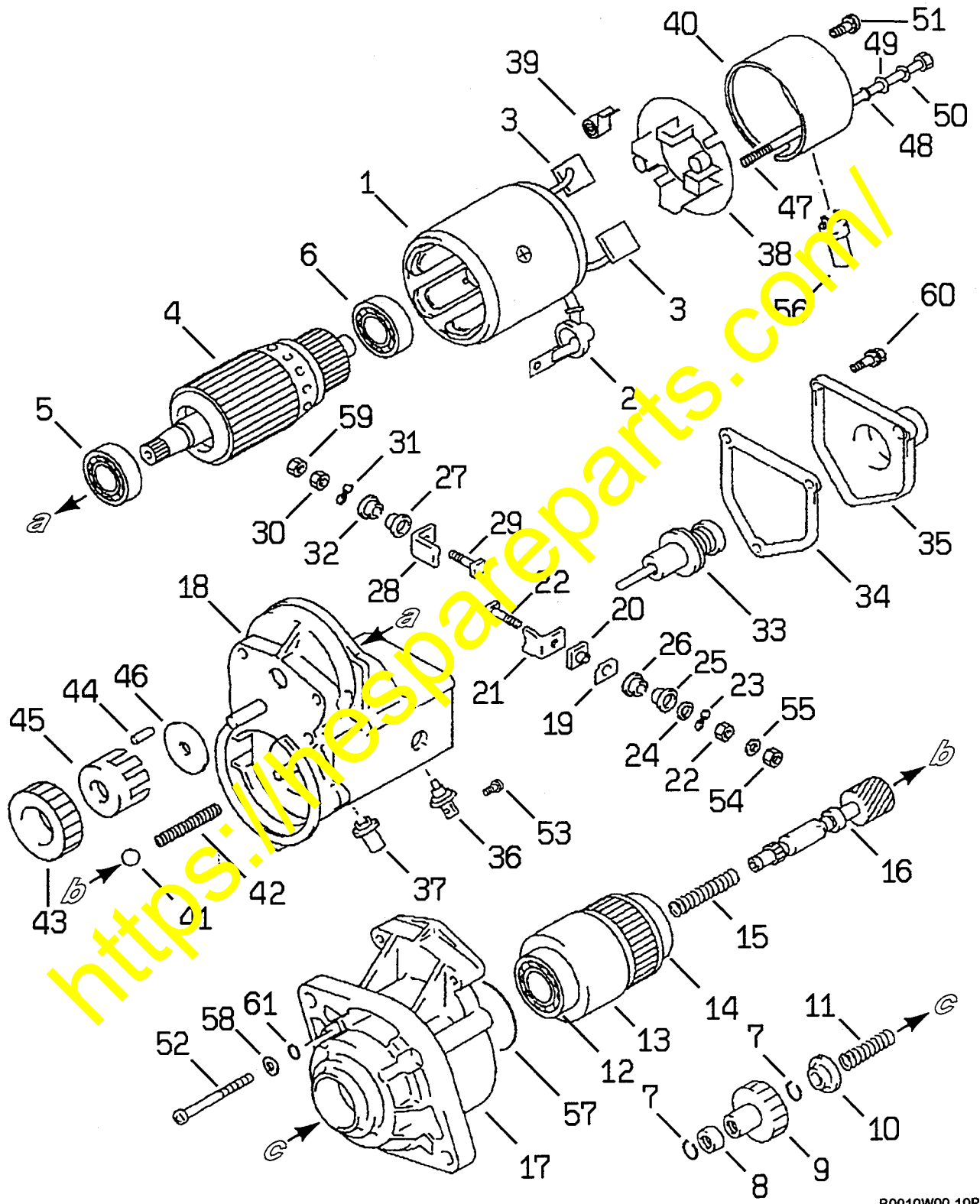
APPLICATION: WA180-3L Wheel loader S/N A80001 and up
WA180-3L Parallel Tool Carrier S/N A85001 and up
WA250-3L Wheel loader S/N 70001 and up
WA250-3L Parallel Tool Carrier S/N A75001 and up

FAILURE CODE: AB0099

DESCRIPTION: For service part numbers refer to the subsequent pages of this **PARTS & SERVICE NEWS**

<https://hespareparts.com/>

STARTER MOTOR
(WA180-3L and WA250-3L)

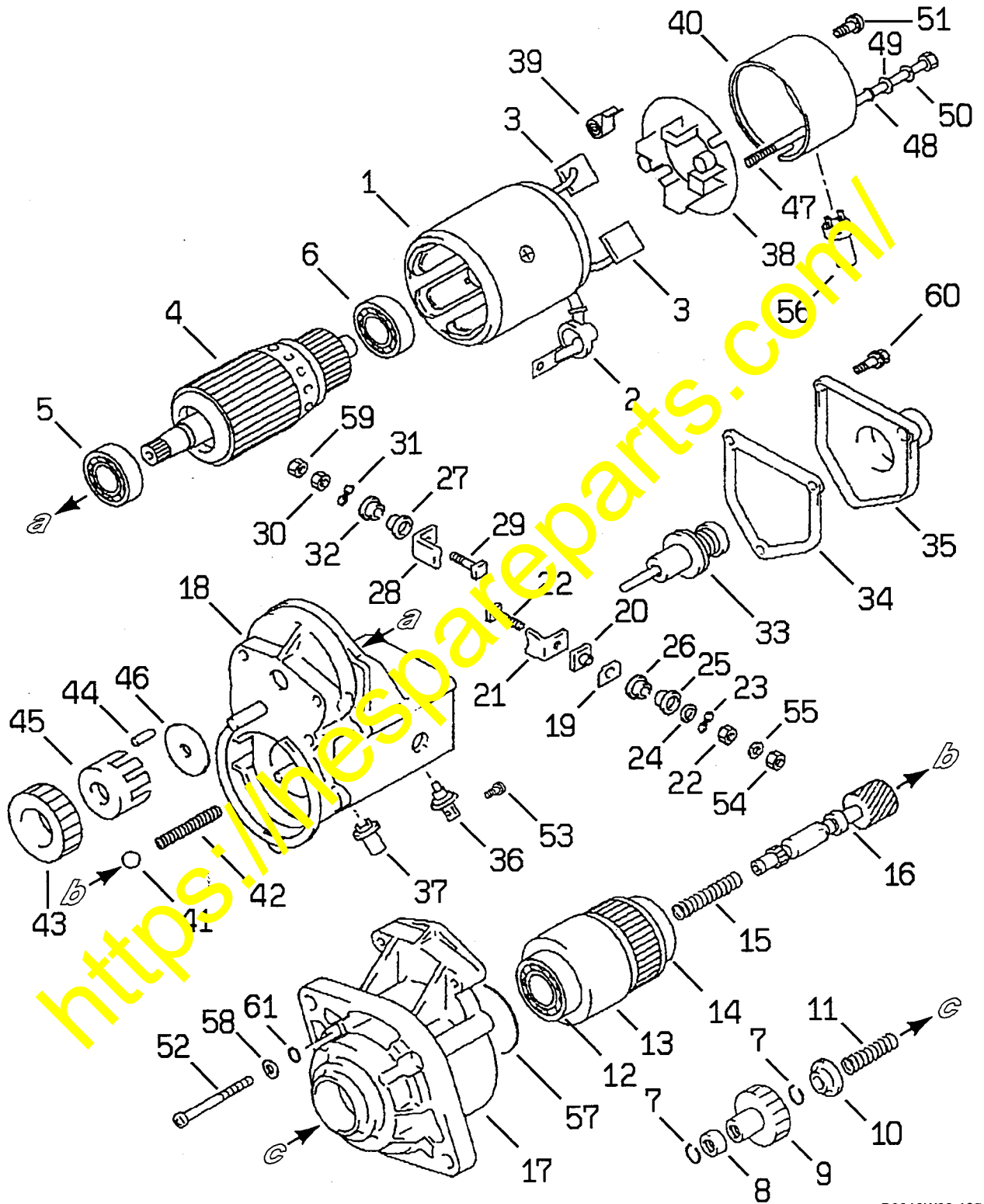


B0010W00.10P

STARTER MOTOR

Item	Part Number	Description	Qty.	Ref.
	1308 853 H91	MOTOR ASSY, STARTER	1	R1
	1308 854 H1	.HOUSING ASSY WITH FIELD COIL	1	
1	NSS	..HOUSING AND FIELD COIL	1	
2	1308 855 H1	..BOOT, TERMINAL	1	
3	1308 856 H1	..KIT, STARTER	2	
	1308 857 H1	.ARMATURE ASSY	1	
4	NSS	..ARMATURE	1	
5	1308 858 H1	..BEARING, BALL	1	
6	1308 859 H1	..BEARING, BALL	1	
6	1308 860 H1	..BEARING, BALL	1	
6	1308 861 H1	..BEARING, BALL	1	
	1308 862 H91	.CLUTCH ASSY	1	
	1308 863 H1	..KIT, PINION GEAR	1	
7	NSS	...RING, SNAP	2	
8	NSS	...SPACER, GEAR	1	
9	NSS	...GEAR, PINION	1	
10	NSS	...COLLAR, GEAR	1	
11	NSS	...SPRING, TENSION	1	
	1308 953 H91	..CLUTCH ASSY	1	
12	1308 864 H1	...BEARING, BALL	1	
13	NSS	...CLUTCH	1	
14	1308 865 H1	...BEARING, BALL	1	
15	1308 866 H1	...SPRING, TENSION	1	
16	1308 867 H1	...SHAFT, PINION	1	
17	1308 868 H1	...HOUSING, PINION	1	
	1308 869 H1	.HOUSING ASSY, MAG SWITCH	1	
18	NSS	..HOUSING, SWITCH	1	
	1309 007 H1	..KIT, TERMINAL	1	
19	NSS	...NUT	1	
20	NSS	...INSULATOR	1	
21	NSS	...LOCK, BOLT	1	
22	NSS	...NUT	1	

STARTER MOTOR

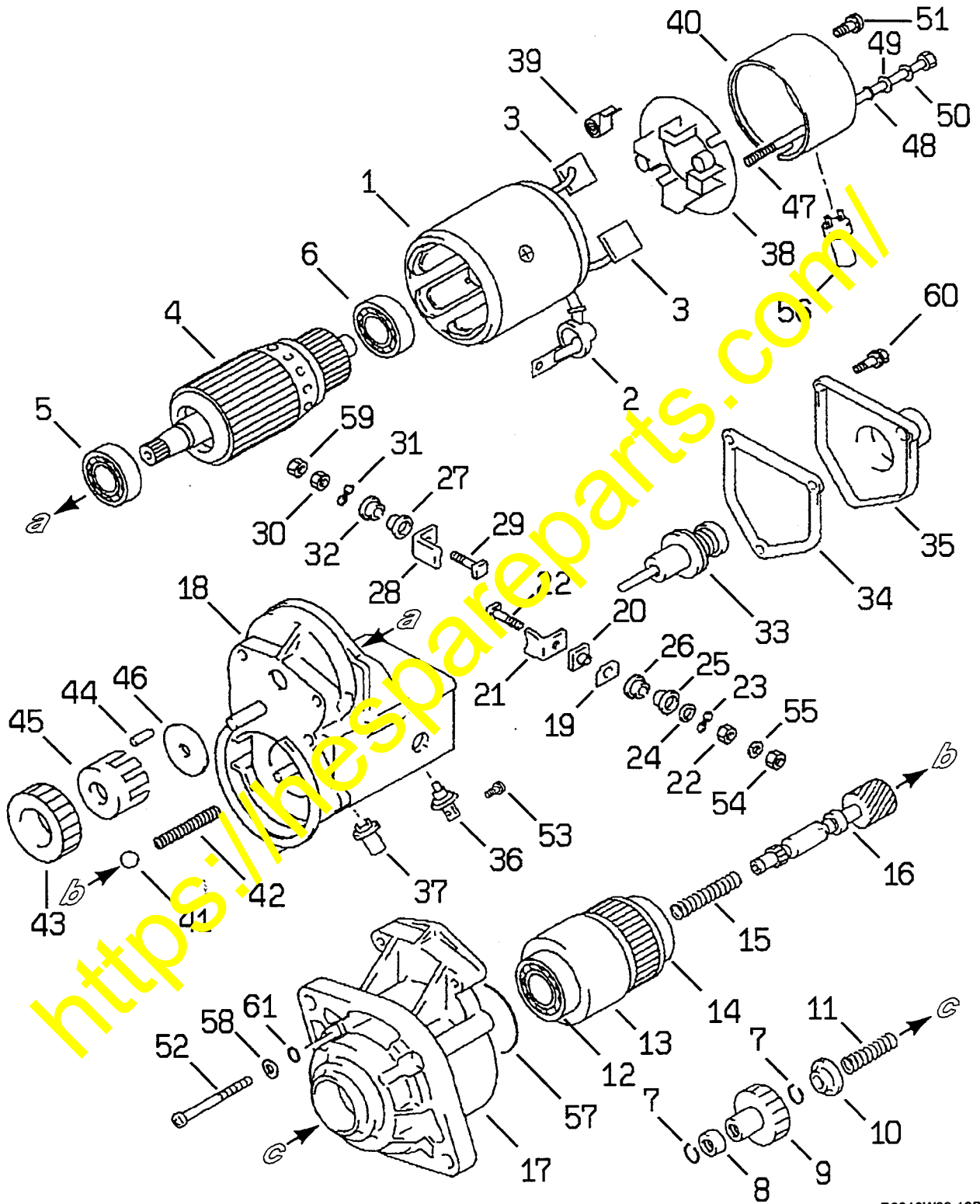


B0010W00.10P

STARTER MOTOR

Item	Part Number	Description	Qty.	Ref.
23	NSS	...NUT	1	
24	NSS	...INSULATOR	1	
25	NSS	...RING	1	
26	NSS	..BUSHING	1	
	1308 870 H1	..KIT, TERMINAL	1	
27	NSS	...BUSHING	1	
28	NSS	...LOCK, BOLT	1	
29	NSS	...BOLT	1	
30	NSS	...NUT	1	
31	NSS	...INSULATOR	1	
32	NSS	...BUSHING	1	
33	1308 871 H1	..PLUNGER	1	
34	1308 872 H1	..GASKET, COVER	1	
35	1308 873 H1	..COVER, HOUSING	1	
36	1308 874 H1	..BOLT, TERMINAL	1	
37	1308 875 H1	..BUSHING, DRAIN	1	
	1308 876 H1	..HOLDER ASSY BRUSH	1	
38	NSS	..HOLDER, BRUSH	1	
39	1308 877 H1	..SPRING, BRUSH	4	
40	1308 878 H1	..FRAME END	1	
41	1308 879 H1	..BALL, STEEL	1	
42	1308 880 H1	..SPRING, TENSION	1	
43	1308 881 H1	..GEAR, PINION	1	
44	1308 882 H1	..ROLLER, CLUTCH	5	
45	1308 883 H1	..CAGE, RETAINER	1	
46	1308 884 H1	..RETAINER, SNAP	1	
47	1308 885 H1	..BOLT, THRU	2	
48	1308 886 H1	..O-RING	5	
49	1308 887 H1	..WASHER, FLAT	2	
50	1308 888 H1	..WASHER, SPRING	2	
51	1308 889 H1	..SCREW AND WASHER	2	
52	1308 890 H1	..SCREW, MOUNTING	3	

STARTER MOTOR



B0010W00.10P

STARTER MOTOR

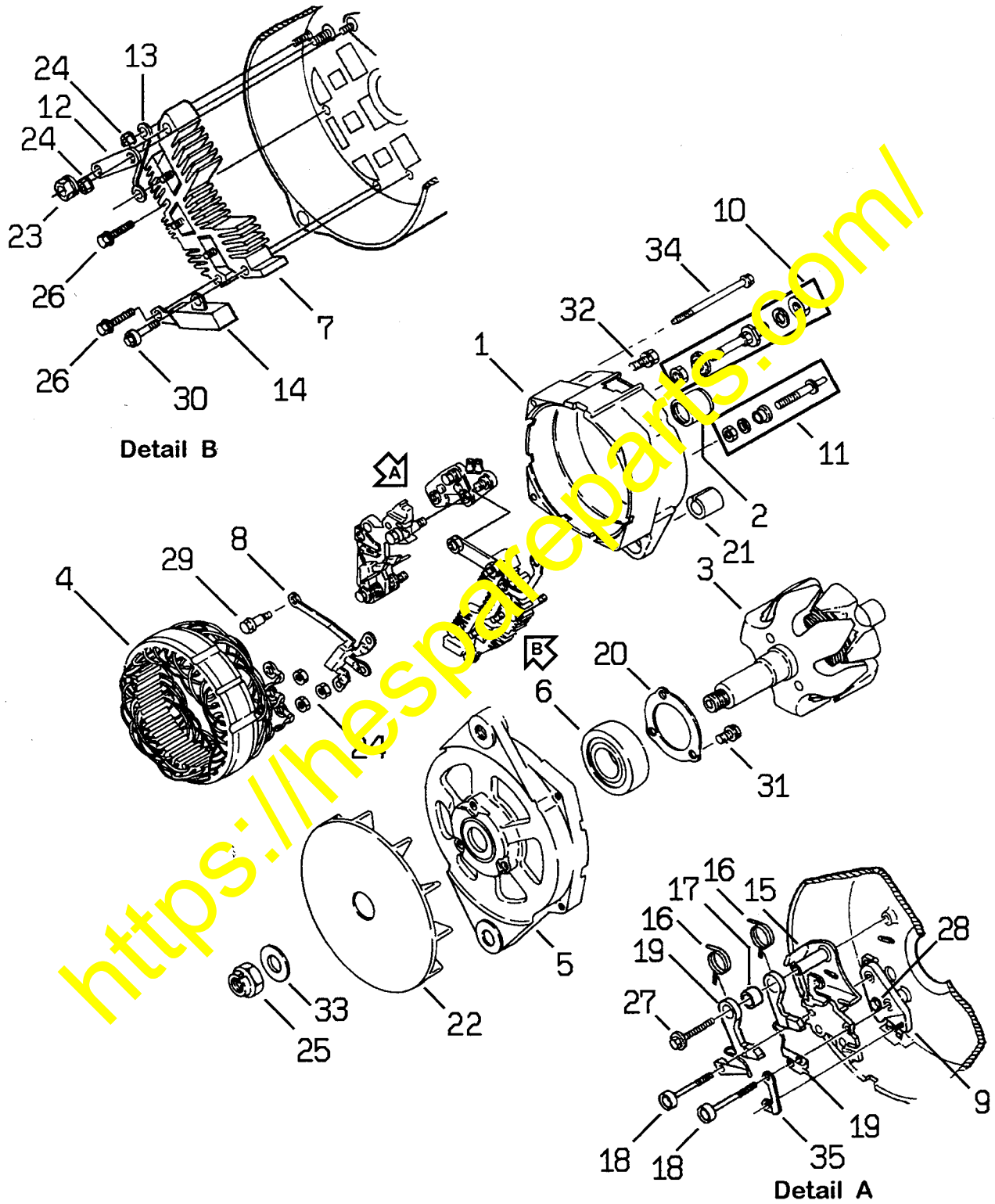
Item	Part Number	Description	Qty.	Ref.
53	1308 892 H1	.SCREW AND WASHER	1	
54	1308 893 H1	.NUT, HEX	1	
55	1308 894 H1	.WASHER, SPRING	1	
56	1308 895 H1	.COVER	1	
57	1308 896 H1	.SEAL, SECTION	3	
58	1308 897 H1	.WASHER, FLAT	3	
59	1308 898 H1	.NUT, HEX	1	
60	1308 960 H1	.BOLT AND WASHER	3	
61	1308 891 H1	.O-RING	3	

R1 - REMANUFACTURED ASSEMBLY AVAILABLE; REFER TO REMANUFACTURED
ASSEMBLIES CATALOG.

<https://thespareparts.com/>

ALTERNATOR

24V - 50 AMP - TYPE 200 (WA180-3L)

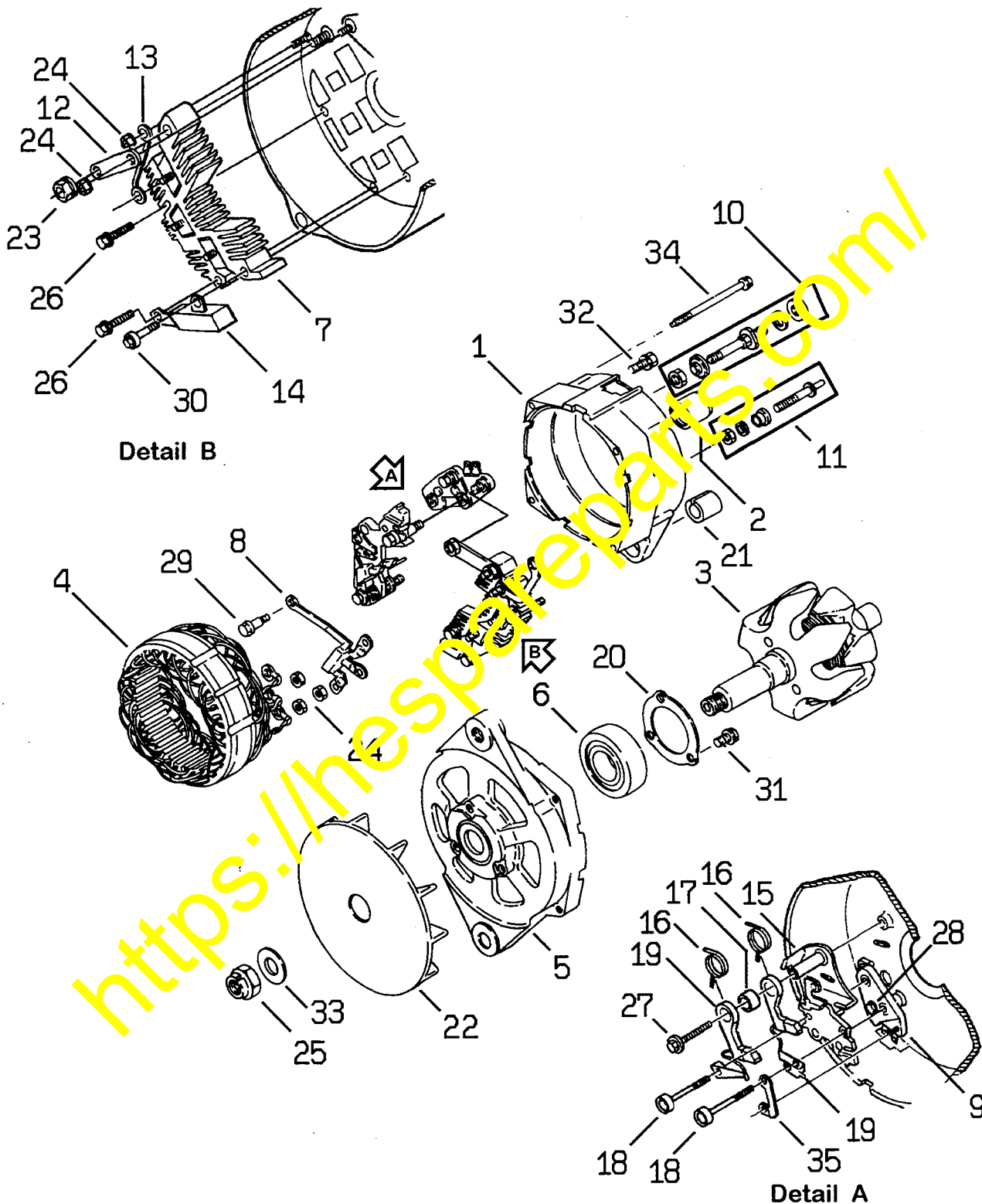


ALTERNATOR

24V - 50 AMP - TYPE 200 - (WA180-3L)

Item	Part Number	Description	Qty.	Ref.
	1310 137 H91	ALTERNATOR ASSY	1	R1
1	1307 324 H1	.FRAME, SRE	1	
2	1236 651 H1	.BEARING, SRE	1	
3	1307 325 H1	.ROTOR	1	
4	1310 140 H1	.STATOR	1	
5	1307 327 H1	.FRAME, DE	1	
6	1213 268 H1	.BEARING, DE	1	
7	1310 141 H1	.RECTIFIER BRIDGE	1	
8	1307 329 H1	.DIODE TRIO	1	
9	1218 115 H1	.REGULATOR	1	
10	1307 330 H1	.TERMINAL PKG - OUTPUT	1	
11	1307 331 H1	.TERMINAL PKG - RELAY	1	
12	1307 332 H1	.CONNECTOR	1	
13	1307 333 H1	.CONNECTOR	1	
14	1307 334 H1	.CAPACITOR	1	
	1307 335 H1	.BRUSH HOLDER	1	
15	NSS	.HOLDER, BRUSH	1	
16	NSS	.SPRING, BRUSH	2	
17	NSS	.SPACER, BRUSH	1	
18	NSS	.SCREW, ATTACHING	2	
19	1307 336 H1	.BRUSH & ARM	1	
20	1307 337 H1	.RETAINER	1	
21	1218 242 H1	.BUSHING	1	
22	1307 338 H1	.FAN	1	
23	1218 126 H1	.NUT	1	
24	120 622	.NUT	5	
25	1213 273 H1	.NUT	1	
26	1268 365 H1	.SCREW	2	
27	1236 654 H1	.SCREW	1	
28	1268 365 H1	.SCREW	1	

ALTERNATOR
24V - 50 AMP - TYPE 200 (WA180-3L)



ALTERNATOR
24V - 50 AMP - TYPE 200 (WA180-3L)

Item	Part Number	Description	Qty.	Ref.
29	1216 375 H1	.SCREW	2	
30	1307 339 H1	.SCREW	1	
31	1268 363 H1	.SCREW	3	
32	1307 340 H1	.SCREW	1	
33	1268 370 H1	.WASHER	1	
34	1307 341 H1	.BOLT, THRU	4	
35	1307 342 H1	.CONNECTOR	1	

R1 - REMANUFACTURED ASSEMBLY AVAILABLE; REFER TO REMANUFACTURED ASSEMBLIES CATALOG.

<https://hespareparts.com/>

<https://hespareparts.com/>