

PARTS & SERVICE NEWS

REF NO.	AA97162
DATE	September 30, 1997

Page 1 of 2

SUBJECT: WINDOW WASHER LEAKING

PURPOSE: Eliminate washer fluid leaking after shutting off washer switch.

APPLICATION: GD530A Graders Serial Number 200840 & up
GD530AW Graders Serial Number 200840 & up
GD650A Graders Serial Number 200840 & up
GD650AW Graders Serial Number 200840 & up
GD670A Graders Serial Number 200840 & up
GD670AW Graders Serial Number 200840 & up
830 Graders Serial Number 100496 & up
850 Graders Serial Number 100477 & up
870 Graders Serial Number 100481 & up

DESCRIPTION:

Introduction:

This presents the installation of two additional check valves closer to the wiper arms.

NOTE: This is a product improvement not subject to campaign.

<https://hespareparts.com/>

INSTALLING TWO ADDITIONAL CHECK VALVES

1. Locate washer hose in channel above windshield and rear window.
2. Cut hose about 3" from grommet where hose exits cab wall; install 1277931H1 check valve (1).
3. DO NOT remove existing check valve (2).

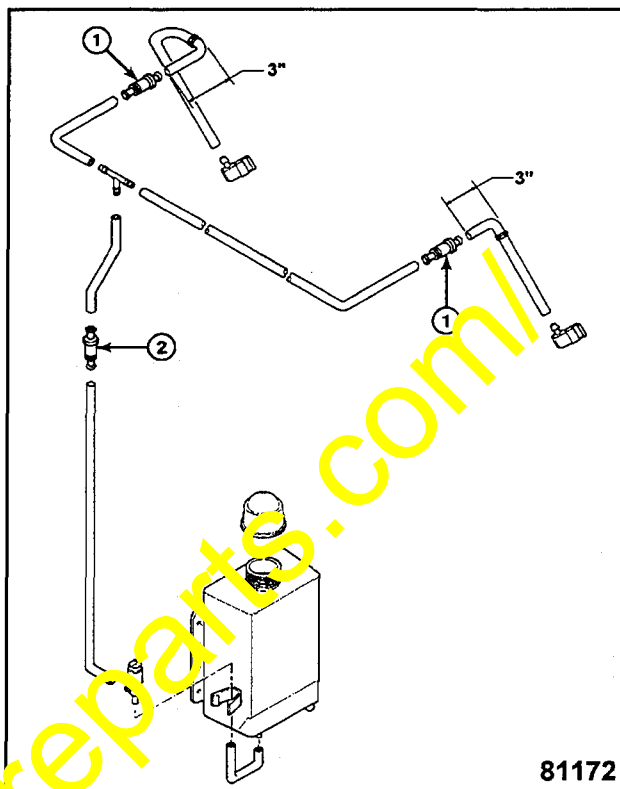


Figure 1

81172